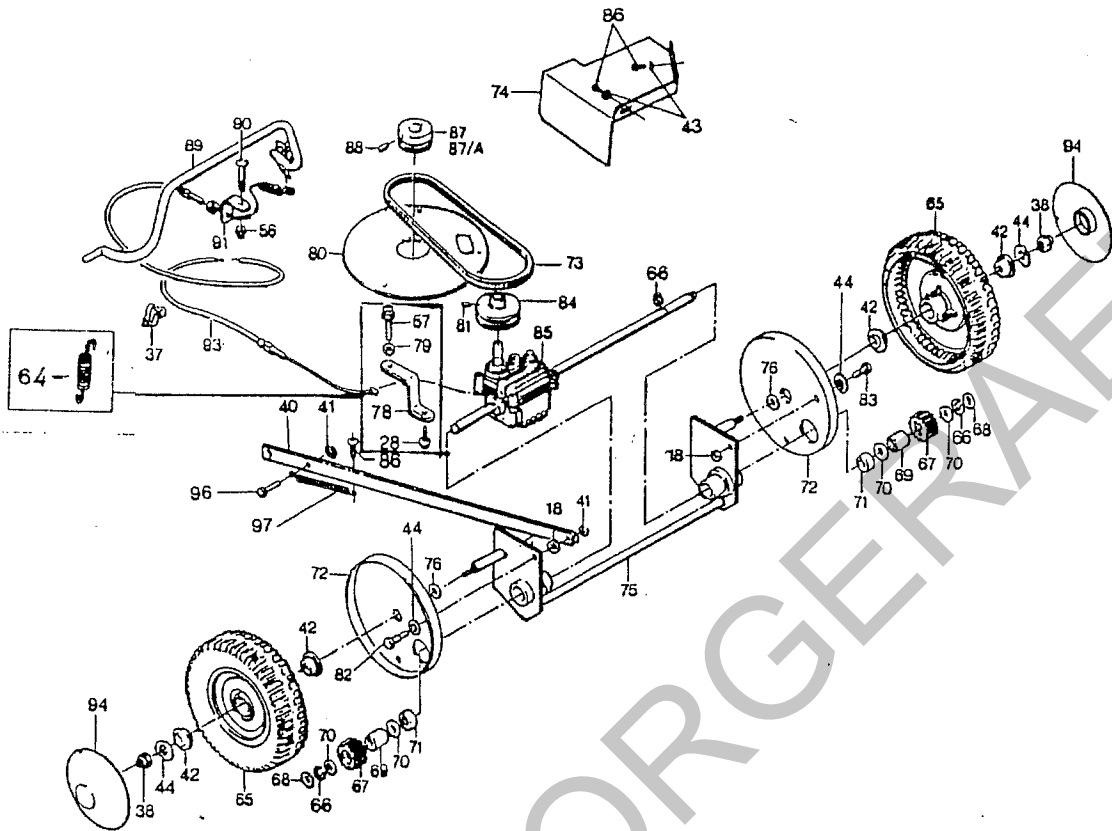
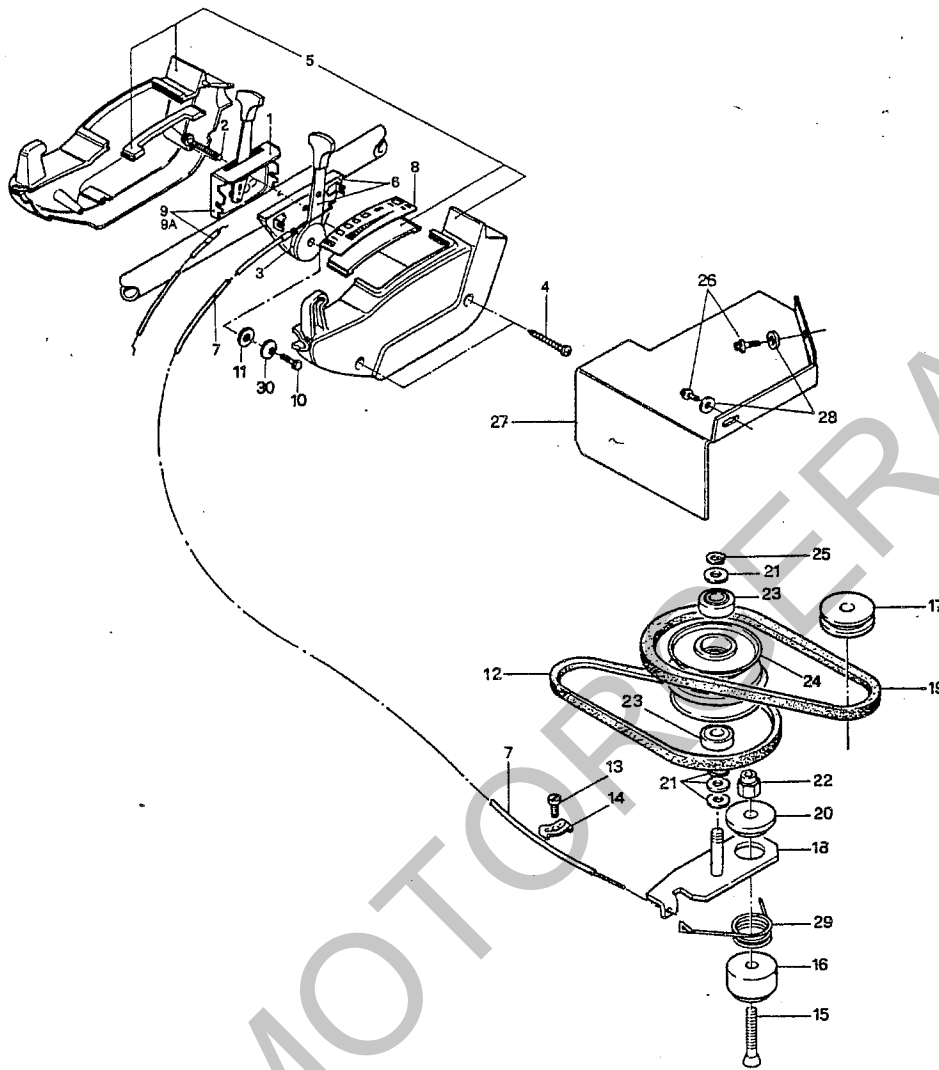


*SPECIFICARE Ø

| FIG. NO. | RIF. NO. | DESCRIZIONE | DESIGNATION | DESCRIPTION | BEZEICHNUNG | DESIGNATION | Q.TÀ |
|----------|-------------|---------------------|-------------------|--------------------|----------------------|--------------------|------|
| 1 | CSM054020 | CHASSIS | CARTER | DECK | GEHÄUSE | CHASSIS | 1 |
| 2 | CSM047002 | DEFLETTORE | DEFLECTEUR | DEFLECTOR | DEFLEKTOR | DEFLEKTOR | 1 |
| 3 | CSM055050 | PROTEZIONE | BOITE PLASTIQUE | BOX THROTTLE | SCHUTZ | PROTECCION | 1 |
| 4 | CSM047823 | MOLLA | RESSORT | SPRING | FEDER | MUELLE | 1 |
| 5 | CSM047810 | VITE | VIS | SCREW | SCHRAUBE | TORNILLO | 2 |
| 6 | CSM046206 | VITE | VIS | SCREW | SCHRAUBE | TORNILLO | 11 |
| 7 | CSM047003 | ASSALE ANTERIORE | AXE AVANT | FRONT AXLE ASSY | VORDERACHSE | EJE ANTERIOR | 1 |
| 8 | CSM047005 | BOCCOLA | BOUCLE | BUSH | BÜCHSE | COJINETE | 2 |
| 9 | CSM047017 | PIASTRINA | PLAQUE | PLATE | PLÄTTCHEN | PLANCHA | 3 |
| 10 | CSM046048 | RONDELLA | RONDELLE | WASHER | SCHIBE | ARANDELA | 2 |
| 11 | CSM046108 | CUSCINETTO | ROULEMENT | BALL BEARING | KUGELLAGER | COJINETE | 4 |
| 12 | CSM046010.2 | RUOTA | ROUE | WHEEL | RAD | RUEDA | 2 |
| 13 | CSM046037 | DADO | ÉCROU | NUT | SCHRAUBENMUTTER | TUERCA | 2 |
| 14 | CSM043115 | COPRIRUOTA | CACHE MOYEU | HUB CAP | RADDECKUNG | TAPA RUEDA | 2 |
| 15A | CSM042050.3 | PORTA LAMA D.25 | PORTE LAME | BLADE ADAPTOR | MESSERNABE | PORTA CUCHILLA | 1 |
| 15 | CSM042050 | PORTA LAMA D.22 | PORTE LAME | BLADE ADAPTOR | MESSERNABE | PORTA CUCHILLA | 1 |
| 16 | CSM054033 | LAMA | LAME | BLADE | MESSER | CUCHILLA | 1 |
| 17 | CSM042052 | MOLLA A TAZZA | RONDELLE | WASHER | SCHIBE | MUELLE | 1 |
| 18 | CSM047113 | DADO | ÉCROU | NUT | SCHRAUBENMUTTER | TUERCA | 2 |
| 19 | CSM046013 | VITE LAMA | VIS | SCREW | SCHRAUBE | TORNILLO | 1 |
| 20 | CSM045004 | RITEGNO | CLIP | RETAINER | RÜCKHALT | ANILLO CLIP | 2 |
| 21 | CSM047116 | MANICO SUP. | GUIDON | HANDLE | STIEL | MANILLAR | 1 |
| 22A | CSM038093 | ACCELERATORE L=1225 | MANETTE GAZ | THROTTLE ASSY | BESCHLEUNIGER | ACELERADOR | 1 |
| 22 | CSM047033 | ACCELERATORE L=1330 | MANETTE GAZ | THROTTLE ASSY | BESCHLEUNIGER | ACELERADOR | 1 |
| 24 | CSM047117 | VITE | VIS | SCREW | SCHRAUBE | TORNILLO | 2 |
| 25 | CSM046025 | CHIOCCIOLA | ÉCROU SPEC. | TRUNION-HEGHT ADJ. | SCHNECKE | TUERCA SPEC. | 1 |
| 26 | CSM047007 | VITE | VIS | SCREW | SCHRAUBE | TORNILLO | 1 |
| 27 | CSM047021 | BRONZINA | BOUCLE | BUSH | BÜCHSE | COJINETE | 1 |
| 28 | CSM047078 | POMOLO ALZO | POIGNEE | KNOB | GRIFF | MANOPLA | 1 |
| 29 | CSM046029 | TIRANTE MANICO | BARRE FIXATION | TIE ROD | GESTÄNGE | TIRANTE MANILLAR | 1 |
| 30 | CSM046059 | MANICO INF. | GUIDON | HANDLE | STIEL | MANILLAR | 1 |
| 31 | CSM047401 | PARASASSI | DEFLECTEUR | REAR DOOR | DÉFLECTOR | DEFLEKTOR | 1 |
| 32 | CSM046032 | POMOLO MANICO | ÉCROU | KNOB HANDLE | GRIFF | POMO MANILLAR | 3 |
| 33 | CSM047250 | TELA CESTO | SAC RAMASSEUR | GRASS BAG | GRASFANGSACK | SACO TELA | 1 |
| 34 | CSM047824 | TELAIO CESTO | ATTELAGE | FRAME ASSEMBLY | GRASFANGRAHMEN | ARMAZON SACO | 1 |
| 35 | CSM046049 | CHIAVETTA D.22 | CLAVETTE | WOODRUFF KEY | SCHLÜSSELCHEN | CHAVETA | 1 |
| 35A | CSM047358 | CHIAVETTA D.25 | CLAVETTE | WOODRUFF KEY | SCHLÜSSELCHEN | CHAVETA | 1 |
| 36 | CSM047013 | PERNO | GOUJON | PIN | ZAPFEN | PERNO | 1 |
| 37 | CSM042032 | FERMACAVO | ATTACHE CABLE | CLIP | KABELBESCHWERER | FIJADOR CABLE | 1 |
| 39A | CSM047112 | VITE | VIS | SCREW | SCHRAUBE | TORNILLO | 1 |
| 39 | CSM047812 | VITE | VIS | SCREW | SCHRAUBE | TORNILLO | 2 |
| 41 | CSM047015 | FERMO | CLIP | RETAINER | RÜCKHALT | ANILLO CLIP | 1 |
| 43 | CSM042022 | RONDELLA | RONDELLE | WASHER | SCHIBE | ARANDELA | 1 |
| 44 | CSM046041 | RONDELLA | RONDELLE | WASHER | SCHIBE | ARANDELA | 6 |
| 46 | CSM042019 | RONDELLA | RONDELLE | WASHER | SCHIBE | ARANDELA | 1 |
| 47 | CSM046042 | COPPIGLIA | GOUPILLE | COTTER PIN | SPLINT | COPIGLIA | 2 |
| 48 | CSM042031 | DECALCO | DECALQUE | DECAL | ETIKETTE | CARTEL | 1 |
| 49 | CSM042030 | DECALCO | DECALQUE | DECAL | ETIKETTE | CARTEL | 1 |
| 50 | CSM047356 | DECALCO | DECALQUE | DECAL | ETIKETTE | CARTEL | 1 |
| 51 | CSM047018 | DADO | ÉCROU | NUT | SCHRAUBENMUTTER | TUERCA | 3 |
| 52 | CSM054006 | DECALCO | DECALQUE | DECAL | ETIKETTE | CARTEL | 1 |
| 53 | CSM045005 | ASTINA | AXE PIVOT | HINGE PIN | STANGE | EJE DEFLECTOR | 1 |
| 54 | CSM046301 | RONDELLA | RONDELLE | WASHER | SCHIBE | ARANDELA | 5 |
| 55 | CSM046056 | PIASTRA SX | PLAQUE | PLATE | PLÄTTCHEN | PLANCHA | 1 |
| 57 | CSM046036 | VITE | VIS | SCREW | SCHRAUBE | TORNILLO | 1 |
| 58 | CSM046057 | PIASTRA DX | PLAQUE | PLATE | PLÄTTCHEN | PLANCHA | 1 |
| 59 | CSM042054 | DECALCO | DECALQUE | DECAL | ETIKETTE | CARTEL | 1 |
| 60 | CSM054401 | DECALCO | DECALQUE | DECAL | ETIKETTE | CARTEL | 1 |
| 61 | CSM040007 | COPRIMANIGLIA | COUVERCLE | COVER | SCHUTZ | TAPA | 1 |
| 62 | CSM055054 | DECALCO | DECALQUE | DECAL | ETIKETTE | CARTEL | 1 |
| 63 | CSM046040 | RONDELLA | RONDELLE | WASHER | SCHIBE | ARANDELA | 2 |
| 64 | CSM047115 | REGOLATORE MANICO | REGLAGE DE GUIDON | HANDLE REGULATOR | STIELREGULATOR | REGULADOR MANILLAR | 4 |
| 65 | CSM047076 | DADO | ÉCROU | NUT | SCHRAUBENMUTTER | TUERCA | 1 |
| 68 | CSM047840 | VITE | VIS | SCREW | SCHRAUBE | TORNILLO | 2 |
| 69 | CSM046039 | RONDELLA | RONDELLE | WASHER | SCHIBE | ARANDELA | 1 |
| 72 | CSM047118 | TAPPO | COUVERCLE | CAP | KAPPE | TAPA | 2 |
| 73 | CSM046091 | LEVA MANICO 47116 | LEVIER EMBRAYAGE | LEVER CLUTCH | STANGE | LEVA | 1 |
| 74 | CSM054108 | CAVO SEMOVENZA | CABLE COMPLET | CABLE CLUTCH | SELBSTBEWEGLICHKABEL | CABLE TRACCION | 1 |
| 76 | CSM046085 | STAFFETTA REGISTRO | EQUARRIE | BRACKET | WINKELMASS | ABRAZADERA CABLE | 1 |
| 77 | CSM046044 | TAPPO | COUVERCLE | CAP | KAPPE | TAPA VISOR | 1 |
| 80 | CSM030034 | VITE | VIS | SCREW | SCHRAUBE | TORNILLO | 1 |
| 81 | CSM043020 | DECALCO | DECALQUE | DECAL | ETIKETTE | CARTEL | 1 |
| 82 | CSM054061 | DECALCO | DECALQUE | DECAL | ETIKETTE | CARTEL | 1 |
| 83 | CSM054092 | DECALCO | DECALQUE | DECAL | ETIKETTE | CARTEL | 1 |
| 88 | CSM047215 | IMPUGNATURA | POIGNEE | HANDLE GRIFF | HANDGRIFF | EMPUNADURA | 4 |
| 89 | CSM047122 | VITE | VIS | SCREW | SCHRAUBE | TORNILLO | 1 |
| 90 | CSM047402 | COPRICESTO | COUVERCLE | BAG COVER | GRASFANGSACKSDECKUNG | CARCASA | 1 |
| 91 | CSM046204 | MANIGLIA | POIGNEE | REAR DOOR HANDLE | HANDGRIFF | MANGO SACO | 1 |
| 92 | CSM046060 | PARASASSI | DEFLECTEUR | REAR DOOR | DÉFLECTOR | DEFLEKTOR | 1 |
| 93 | CSM054063 | MOLLA | RESSORT | SPRING | FEDER | MUELLE | 1 |
| 94 | CSM046061 | ASTINA | AXE PIVOT | HINGE PIN | STANGE | EJE DEFLECTOR | 1 |
| 95 | CSM042017 | RITEGNO | CLIP | RETAINER | RÜCKHALT | ANILLO CLIP | 2 |
| 96 | CSM047010 | TELA CESTO | SAC RAMASSEUR | GRASS BAG | GRASFANGSACK | SACO TELA | 1 |
| 97 | CSM047011 | TELAIO CESTO | ATTELAGE | FRAME ASSEMBLY | GRASFANGRAHMEN | ARMAZON SACO | 1 |
| 98 | CSM042058 | VITE | VIS | SCREW | SCHRAUBE | TORNILLO | 2 |
| 99 | CSM047019 | PROTEZIONE | BOITE PLASTIQUE | BOX THROTTLE | SCHUTZ | PROTECCION | 1 |
| 100 | CSM046074 | LEVA MANICO 46078 | LEVIER EMBRAYAGE | LEVER CLUTCH | STANGE | LEVA | 1 |
| 101 | CSM054022 | ACCELERATORE L=1125 | MANETTE GAZ | THROTTLE ASSY | BESCHLEUNIGER | ACELERADOR | 1 |
| 101A | CSM054122 | ACCELERATORE L=1480 | MANETTE GAZ | THROTTLE ASSY | BESCHLEUNIGER | ACELERADOR | 1 |
| 102 | CSM047085 | DECALCO | DECALQUE | DECAL | ETIKETTE | CARTEL | 1 |
| 103 | CSM047831 | DECALCO | DECALQUE | DECAL | ETIKETTE | CARTEL | 1 |
| 104 | CSM046078 | MANICO SUP. | GUIDON | HANDLE | STIEL | MANILLAR | 1 |
| 105 | CSM047832 | DECALCO | DECALQUE | DECAL | ETIKETTE | CARTEL | 1 |
| 106 | CSM047359 | DECALCO | DECALQUE | DECAL | ETIKETTE | CARTEL | 1 |
| 107 | CSM047365 | VITE | VIS | SCREW | SCHRAUBE | TORNILLO | 1 |
| 108 | CSM047809 | DADO | ÉCROU | NUT | SCHRAUBENMUTTER | TUERCA | 2 |



| FIG. NO. | RIF. NO. | DESCRIZIONE | DESIGNATION | DESCRIPTION | BEZEICHNUNG | DESIGNATION | Q.TA' |
|----------|-------------|----------------------|------------------|----------------|----------------------|----------------------|-------|
| 18 | CSM048020 | DADO | ÉCROU | NUT | SCHRAUBENMUTTER | TUERCA | 2 |
| 28 | CSM048008 | VITE | VIS | SCREW | SCHRAUBE | TORNILLO | 1 |
| 37 | CSM042032 | FERMACAVO | ATTACHE CABLE | CLIP | KABELBESCHWERER | FIJADOR CABLE | 1 |
| 38 | CSM048038 | DADO | ÉCROU | NUT | SCHRAUBENMUTTER | TUERCA | 2 |
| 40 | CSM064400 | TIRANTE ASSALE | BARRE | LINK ROD | GESTÄNGE | TIRANTE EJE | 1 |
| 41 | CSM047016 | FERMO | CLIP | RETAINER | RÜCKHALT | ANILLO CLIP | 2 |
| 42 | CSM048008 | CUSCINETTO | ROULEMENT | BALL BEARING | KUGELLAGER | COJINETE | 4 |
| 43 | CSM042019 | RONDELLA | RONDELLE | WASHER | SCHLEIBE | ARANDELA | 2 |
| 44 | CSM048041 | RONDELLA | RONDELLE | WASHER | SCHLEIBE | ARANDELA | 2 |
| 68 | CSM048037 | DADO | ÉCROU | NUT | SCHRAUBENMUTTER | TUERCA | 1 |
| 57 | CSM047810 | VITE | VIS | SCREW | SCHRAUBE | TORNILLO | 1 |
| 64 | CSM047378 | MOLLA | RESSORT | SPRING | FEDER | MUELLE | 1 |
| 65 | CSM048023.2 | RUOTA D.230 | ROUE | WHEEL | RAD | RUEDA | 2 |
| 66 | CSM047304 | SEEGER | SEEGER | RETAINER | RÜCKHALT | ANILLO CLIP | 3 |
| 67 | CSM047305 | INGRANAGGIO | PIGNON | PINION | GETRIEBE | ENGRANAJE | 2 |
| 68 | CSM047306 | ANELLO DI TENUTA | JOINTE | OIL SEAL | ÖLSCHUTZ | RETEN | 2 |
| 69 | CSM047307 | CUSCINETTO | ROULEMENT | BALL BEARING | KUGELLAGER | COJINETE | 2 |
| 70 | CSM047308 | RASAMENTO SP.0,3 | RONDELLE | WASHER | SCHLEIBE | ARANDELA | 2 |
| 70A | CSM047408 | RASAMENTO SP.0,5 | RONDELLE | WASHER | SCHLEIBE | ARANDELA | 2 |
| 71 | CSM047309 | CUSCINETTO | ROULEMENT | BALL BEARING | KUGELLAGER | COJINETE | 2 |
| 72 | CSM047310 | COPRIRUOTA | CACHE MOYEU | HUB CAP | RADDECKUNG | TAPA RUEDA | 2 |
| 73 | CSM064010 | CINGHIA | COURROIE | BELT | RIEMEN | CORREA | 1 |
| 74 | CSM064026 | COPERCHIO | COUVERCLE | BELT COVER | RIEMENSCHUTZ | TAPA | 1 |
| 76 | CSM047312 | ASSALE POSTERIORE | AXE ARRIERE | REAR AXLE ASSY | HINTERACHSE | EJE POSTERIOR | 1 |
| 78 | CSM047320 | RONDELLA | RONDELLE | WASHER | SCHLEIBE | ARANDELA | 2 |
| 78 | CSM064403 | STAFFA TENDI CINGHIA | EQUARRE | BRACKET | WINKELMASS | ABRAZDERA | 1 |
| 79 | CSM043062 | DADO | ÉCROU | NUT | SCHRAUBENMUTTER | TUERCA | 1 |
| 80 | CSM047319 | PROTEZIONE | BOITE | METAL SHIELD | SCHUTZ | PROTECCION | 1 |
| 81 | CSM048084 | GRANO | VIS | SCREW | SCHRAUBE | TORNILLO | 1 |
| 82 | CSM047316 | VITE SPECIALE | VIS | SCREW | SCHRAUBE | TORNILLO | 1 |
| 83 | CSM047317 | VITE | VIS | SCREW | SCHRAUBE | TORNILLO | 1 |
| 84 | CSM048087 | PULEGGIA | POULIE | PULLEY | RIEMENSCHLEIBE | POLEA | 1 |
| 86 | CSM047318 | RIDUTTORE | REDUCTEUR | GEAR BOX ASSY | UNTERSETZUNGGETRIEBE | TRANSMISION COMPLETA | 1 |
| 88 | CSM042039 | VITE | VIS | SCREW | SCHRAUBE | TORNILLO | 3 |
| 87 | CSM046075 | PULEGGIA D.25 | POULIE | PULLEY | RIEMENSCHLEIBE | POLEA | 1 |
| 87A | CSM048086 | PULEGGIA D.22,2 | POULIE | PULLEY | RIEMENSCHLEIBE | POLEA | 1 |
| 88 | CSM048087 | GRANO | VIS | SCREW | SCHRAUBE | TORNILLO | 1 |
| 89 | CSM048091 | LEVA MANICO 47118 | LEVIER EMBRAYAGE | LEVER CLUTCH | STANGE | LEVA | 1 |
| 89A | CSM048074 | LEVA MANICO 48078 | LEVIER EMBRAYAGE | LEVER CLUTCH | STANGE | LEVA | 1 |
| 90 | CSM030034 | VITE | VIS | SCREW | SCHRAUBE | TORNILLO | 1 |
| 91 | CSM048085 | STAFFETTA REGISTRO | EQUARRE | BRACKET | WINKELMASS | ABRAZDERA CABLE | 1 |
| 93 | CSM064108 | CAVO SEMOVENZA | CABLE COMPLET | CABLE CLUTCH | SELBSTBEWEGLICHKABEL | CABLE TRACCION | 1 |
| 94 | CSM043031 | COPRIRUOTA | CACHE MOYEU | HUB CAP | RADDECKUNG | TAPA RUEDA | 2 |
| 96 | CSM047013 | PERNO | GOIJON | PIN | ZAPFEN | PERNO | 1 |
| 97 | CSM064012 | MOLLA | RESSORT | SPRING | FEDER | MUELLE | 1 |



| NO. | RIF. NO. | DESCRIZIONE | DESIGNATION | DESCRIPTION | BEZEICHNUNG | DESIGNATION | Q.TÀ |
|-----|-----------|----------------------|-----------------|---------------|-----------------|--------------|------|
| 1 | CSM042106 | COMANDO ACCELERATORE | LEVIER | LEVER | STANGE | LEVA | 1 |
| 2 | CSM046036 | VITE | VIS | SCREW | SCHRAUBE | TORNILLO | 1 |
| 3 | CSM047140 | RONDELLA | RONDELLE | WASHER | SCHEIBE | ARANDELA | 1 |
| 4 | CSM047840 | VITE | VIS | SCREW | SCHRAUBE | TORNILLO | 2 |
| 5 | CSM055050 | PROTEZIONE | BOITE PLASTIQUE | BOX THROTTLE | SCHUTZ | PROTECCION | 1 |
| 6 | CSM055052 | COMANDO VARIATORE | MANETTE | LEVER | STANGE | LEVA | 1 |
| 7 | CSM054123 | CAVO VARIATORE | CABLE | CABLE | KABEL | CABLE | 1 |
| 8 | CSM055056 | DECALCO | DECALQUE | DECAL | ETIKETTE | CARTEL | 1 |
| 9 | CSM038093 | ACCELERATORE L=1225 | MANETTE GAZ | THROTTLE ASSY | BESCHLEUNIGER | ACELERADOR | 1 |
| 9A | CSM047033 | ACCELERATORE L=1330 | MANETTE GAZ | THROTTLE ASSY | BESCHLEUNIGER | ACELERADOR | 1 |
| 10 | CSM090117 | VITE | VIS | SCREW | SCHRAUBE | TORNILLO | 1 |
| 11 | CSM030309 | RONDELLA | RONDELLE | WASHER | SCHEIBE | ARANDELA | 1 |
| 12 | CSM054028 | CINGHIA | COURROIE | BELT | RIEMEN | CORREA | 1 |
| 13 | CSM047122 | VITE | VIS | SCREW | SCHRAUBE | TORNILLO | 1 |
| 14 | CSM047123 | MORSETTO | ATTACHE CABLE | CLIP | KABELBESCHWERER | FIADOR CABLE | 1 |
| 15 | CSM047125 | VITE | VIS | SCREW | SCHRAUBE | TORNILLO | 1 |
| 16 | CSM047127 | BASE LEVA VARIATORE | SUPPORT | SUPPORT | LAGER | SOPORTE | 1 |
| 17 | CSM046067 | PULEGGIA | POULIE | PULLEY | RIEMENSCHLEIBE | POLEA | 1 |
| 18 | CSM047129 | LEVA DI SUPPORTO | LEVIER | LEVER | STANGE | LEVA | 1 |
| 19 | CSM054027 | CINGHIA | COURROIE | BELT | RIEMEN | CORREA | 1 |
| 20 | CSM047131 | PIATTELLO | RONDELLE | WASHER | SCHEIBE | ARANDELA | 1 |
| 21 | CSM047313 | RONDELLA | RONDELLE | WASHER | SCHEIBE | ARANDELA | 4 |
| 22 | CSM046038 | DADO | ECROU | NUT | SCHRAUBENMUTTER | TUERCA | 1 |
| 23 | CSM047132 | CUSCINETTO | ROULEMENT | BALL BEARING | KUGELLAGER | COJINETE | 2 |
| 24 | CSM047133 | PULEGGIA | POULIE | PULLEY | RIEMENSCHLEIBE | POLEA | 1 |
| 25 | CSM047134 | SEEGER | SEEGER | RETAINER | RÜCKHALT | ANILLO CLIP | 1 |
| 26 | CSM042039 | VITE | VIS | SCREW | SCHRAUBE | TORNILLO | 2 |
| 27 | CSM054026 | COPERCHIO | COUVERCLE | BELT COVER | RIEMENSCHUTZ | TAPA | 1 |
| 28 | CSM042019 | RONDELLA | RONDELLE | WASHER | SCHEIBE | ARANDELA | 2 |
| 29 | CSM047124 | MOLLA | RESSORT | SPRING | FEDER | MUELLE | 1 |
| 30 | CSM055092 | MOLLA A TAZZA | RONDELLE | WASHER | SCHEIBE | MUELLE | 1 |