



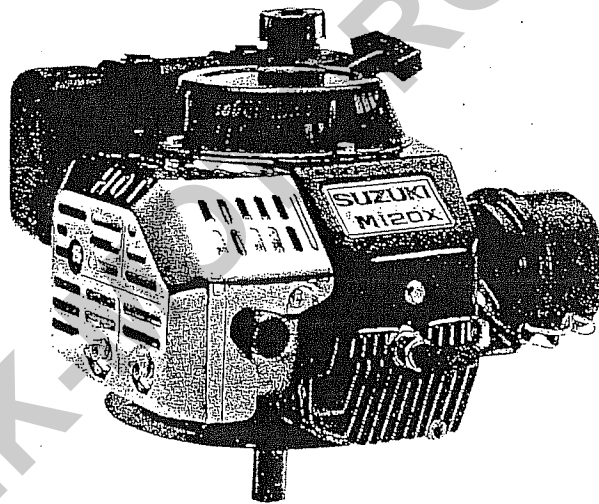
eurosystems

DEUTSCHLAND MOTORGERÄTE
Handelsgesellschaft mbH

Ersatzteilliste zu:

Suzuki 2 Takt Motor

Model M 120 X



eurosystems Motorgeräte

Im Fuchshau 14

73635 Rudersberg

Tel. 07183 / 305 900

Fax. 07183 / 305 9020

PREFACE

When it becomes necessary to replace parts on SUZUKI VERTICAL ENGINE, always use SUZUKI GENUINE PARTS which have passed a strict inspection which guarantees quality and performance.

This parts catalogue covers the list of all service parts for SUZUKI M120X, M120X-B.

INSTRUCTIONS FOR QUOTING THE CATALOGUE

1. DIMENSIONS

Dimensions of the parts in this catalogue are indicated in unit millimeters.

2. ABBREVIATIONS

Abbreviations used in this catalogue are as follows :

- AR : As required
- ASSY : Assembly
- E. No. : Engine number
- F. No. : Frame number
- d : Diameter of material
- ID : Inside diameter
- OD : Outside diameter
- L : Length
- LH : Left hand side
- RH : Right hand side
- ~100045 : Up to F. No. M120X-100045
- 100046~ : From F. No. M120X-100046
- NT : Number of teeth
- OPT : Optional
- OS : Over size
- STD : Standard
- T : Thickness
- US : Under size
- W : Width
- '00 : MODEL : 2000

12 X 34 X 5.6.....Figures in the description column show the dimensions of parts.

I I I

ID OD T(or W, L)

→12345-56781 (Parts No.) : indicates that the parts number was changed to 12345-56781 and the new parts are interchangeable with the former ones but the former ones are not interchangeable with new ones.

←12345-56781 (Parts No.) : indicates that the former and new parts are interchangeable with each other and both are usable.

3. INNER PARTS OF ASSEMBLY
Part name with a dot (.) in front as shown in the description column indicates the component of the assembly also available individually.

4. MODIFICATION NOTICE
A parts bulletin will be sent to you on all occasions when changes in parts occur, including interchangeable modifications between new parts and old ones.

5. NOTE
5-1. There are some different parts from those of production models among spare parts for the administrative reasons and common use of them with other models.
5-2. In respect of rubber hoses and vinyl tubes, please be sure to use them by cutting off according to the length mentioned on parts catalogue or what is actually required on the vehicle.
5-3. Note that the drawings on the illustration page are for ready reference of spare parts number, not to be used as an assembly manual.
When assembling, use "SUZUKI SERVICE MANUAL".

6. SPECIFICATION CODE
This catalogue contains the parts for the model designed for the following spec. ;
spec. code : E2, E4, E6, E34.

7. ENGINE NUMBER
M120X : M120X-100001~ (E4)
M120X-B : M121-100001~ (E4)
M120X-B : M121X-100001~ (E4 MODEL : 96~00, E34)
M120X : M122X-200001~ (E2, E6)



PREFACE

Quand il devient nécessaire de remplacer des pièces sur SUZUKI MOTEUR DE USAGE MULTIPLE toujours utiliser les PIÈCES D'ORIGINE SUZUKI qui ont été soumises à des contrôles de qualité sévères leur garantissant qualité et performance impeccables.

Ce catalogue de pièces détachées couvre la liste de toutes les pièces de rechange pour SUZUKI M120X, M120X-B.

INSTRUCTIONS POUR UTILISER LE CATALOGUE

1. DIMENSIONS

Les dimensions des pièces dans ce catalogue sont indiquées en unités de millimètres.

2. ABBREVIATIONS

Les abréviations utilisées dans ce catalogue sont les suivantes :

| | | | |
|--------|----------------------|-----|--------------------|
| AR | : Comme requis | NT | : Nombre de dents |
| ASSY | : Assemblage | OPT | : Sur option |
| E. No. | : Numéro du moteur | OS | : Sur-dimensionné |
| F. No. | : Numéro du châssis | T | : Epaisseur |
| ID | : Diamètre intérieur | US | : Sous-dimensionné |
| OD | : Diamètre extérieur | W | : Largeur |
| L | : Longueur | '00 | : MODELE : 2000 |
| LH | : Cité gauche | | |
| RH | : Cité droit | | |

~100045 : Jusqu'à F. No. M120X-100045
100046~ : Depuis F. No. M120X-100046

12 X 34 X 5,6 Les chiffres dans la colonne remarques montrent les dimensions des pièces comme suit.

ID OD T(or W, L)

→12345-56781 (N° de pièces) : indique que le numéro des pièces a été échangé en 12345-56781 et que les nouvelles pièces sont interchangeables avec les anciennes, mais que celles-ci ne sont pas interchangeables avec les nouvelles.

←12345-56781 (N° de pièces) : indique que les anciennes et nouvelles pièces sont interchangeables les unes avec les autres et sont utilisables chacune.

M120X(B) E4

3. **PIÈCES INTERNES DE L'ASSEMBLAGE**
Les numéros de pièces qui comportent un point (.) avant la désignation de pièce détachée, indique la pièce interne se rapportant à l'assemblage.

4. AVIS DE MODIFICATION

Un bulletin de pièces détachées vous sera envoyé à tout moment opportun quand des changements de pièces ont lieu, y compris les modifications de pièces interchangeables entre les nouvelles et anciennes pièces.

5. A NOTER

- 5-1. Il existe certaines pièces différentes de celles de rechange pour les modèles de production vu des raisons administratives et dont l'usage est commun avec celles d'autres modèles.
- 5-2. Concernant les durites en caoutchouc et les tuyaux en vinyle, ne pas manquer de les couper à la bonne longueur comme indiqué dans le catalogue des pièces détachées ou selon ce qui est utile pour le véhicule affecté.
- 5-3. Noter que les dessins à la page d'illustration servent à titre de référence pour les numéros de pièces détachées, et non pas comme référence pour l'assemblage. Pour cette dernière opération, se reporter au "MANUEL D'ENTRETIEN SUZUKI".

6. CODE DE SPECIFICATION

Ce catalogue contient les indications de pièces pour le modèle conçu suivant les spécifications suivantes :

Code de spécifications : E2, E4, E6, E34.

7. NUMERO DE SERIE DU MOTEUR

M120X : M120X-100001~(E4)
M120X-B : M121-100001~(E4)
M120X-B : M121X-100001~(E4 MODEL : 96~00, E34)
M120X : M122X-200001~(E2, E6)

MILLIMETER → INCH CONVERSION CHART
 TABLEAU DE CONVERSION DE MILLIMETRES → POUCES
 CUADRO DE CONVERSION A UNIDAD DE MILIMETRO → PULGADA
 MILLIMETER → ZOLL UMRECHNUNGSTABELLE

| | 0 | 1 | 2 | 3 | 4 | 5 | 6 | 7 | 8 | 9 |
|----|-------|-------|-------|-------|-------|-------|-------|-------|-------|-------|
| 00 | .000 | .039 | .079 | .118 | .157 | .197 | .236 | .276 | .315 | .354 |
| 10 | .394 | .433 | .472 | .512 | .551 | .591 | .630 | .669 | .709 | .748 |
| 20 | .787 | .827 | .866 | .906 | .945 | .984 | 1.024 | 1.063 | 1.102 | 1.142 |
| 30 | 1.181 | 1.220 | 1.260 | 1.299 | 1.339 | 1.378 | 1.417 | 1.457 | 1.496 | 1.535 |
| 40 | 1.575 | 1.614 | 1.654 | 1.693 | 1.732 | 1.772 | 1.811 | 1.850 | 1.890 | 1.929 |
| 50 | 1.969 | 2.008 | 2.047 | 2.087 | 2.126 | 2.165 | 2.205 | 2.214 | 2.283 | 2.323 |
| 60 | 2.362 | 2.402 | 2.441 | 2.480 | 2.520 | 2.559 | 2.598 | 2.638 | 2.677 | 2.717 |
| 70 | 2.756 | 2.795 | 2.835 | 2.874 | 2.913 | 2.953 | 2.992 | 3.031 | 3.071 | 3.110 |
| 80 | 3.150 | 3.189 | 3.228 | 3.268 | 3.307 | 3.346 | 3.386 | 3.425 | 3.465 | 3.504 |
| 90 | 3.543 | 3.583 | 3.622 | 3.661 | 3.701 | 3.740 | 3.780 | 3.819 | 3.858 | 3.898 |

How to read
 Mode de lecture
 Modo de leer
 Anleitung

| | 0 | 1 | 2 | 3 | 4 |
|----|-----|-----|-----|-------|-----|
| 00 | --- | --- | --- | --- | --- |
| 10 | --- | --- | --- | --- | --- |
| 20 | --- | --- | --- | 0.906 | --- |
| 30 | --- | --- | --- | --- | --- |

23 millimeters equal 0.906 inch
 23 millimètres égalent 0.906 pouce
 23 milímetros = 0.906 pulgada
 23 millimeter entspricht 0.906 Zoll

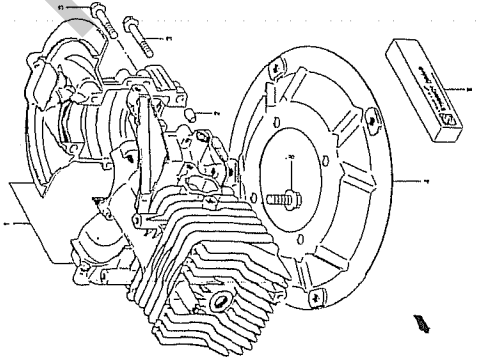
Contents are subject to change without notice or obligation.

Les matières traitées sont susceptibles d'être modifiées sans préavis obligation de notre part.

El contenido está sujeto a modificaciones sin previo aviso.

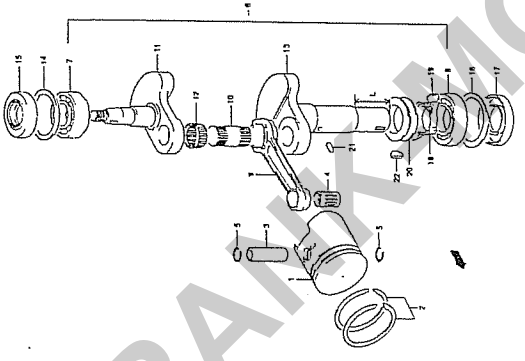
Änderungen vorbehalten.

FIG. 1 CRANKCASE (B-2)



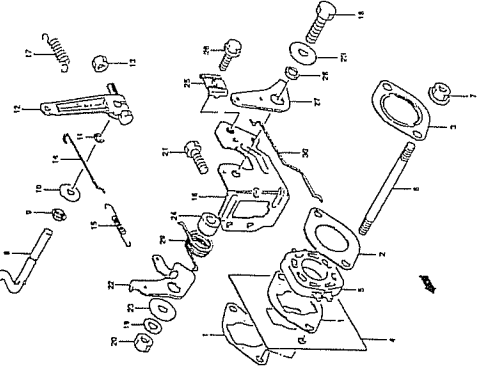
MIXTURE/EK_001
CRANKCASE

FIG. 2 CRANKSHAFT (B-3)



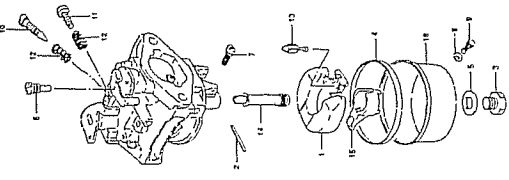
MIXTURE/EK_002
CRANKSHAFT

FIG. 3 CARBURETOR CONTROL (B-4)



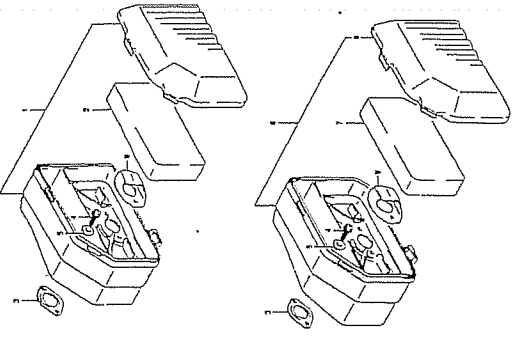
MIXTURE/EK_003
CARBURETOR CONTROL

FIG. 4 CARBURETOR (B-5)



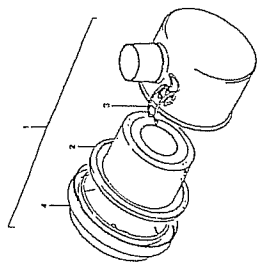
MIXTURE/EK_004
CARBURETOR

FIG. 5 AIR CLEANER (STD)|E2,E4,E3,6| (B-6)



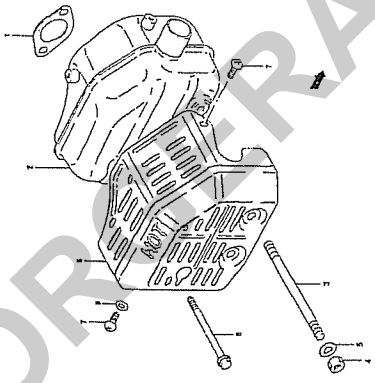
MIXTURE/EK_005
AIR CLEANER

FIG. 6 AIR CLEANER (DUAL ELEMENT)|E2,E4,E6| (B-7)



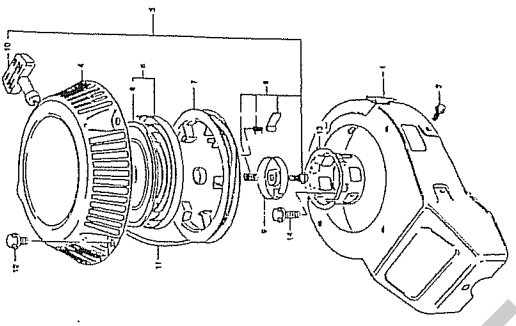
MIXTURE/EK_006
AIR CLEANER(DUAL ELEMENT)

FIG. 7 MUFFLER (B-8)



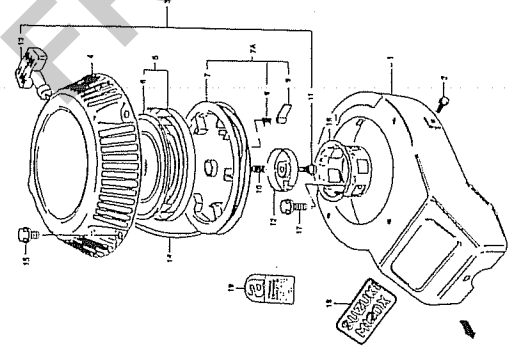
MIXTURE/EK_007
MUFFLER

FIG. 8 RECOIL STARTER (B-9)



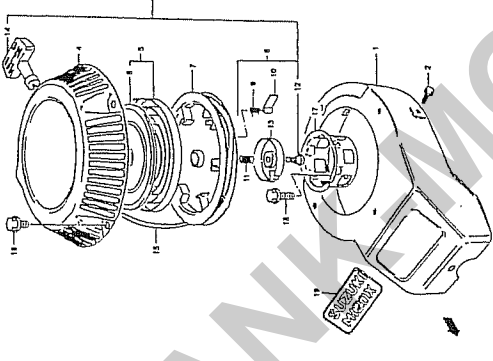
MIXTURE/EK_008
RECOIL STARTER

FIG. 9 RECOIL STARTER (TYPE : DUAL ELEMENT)
(B-10)



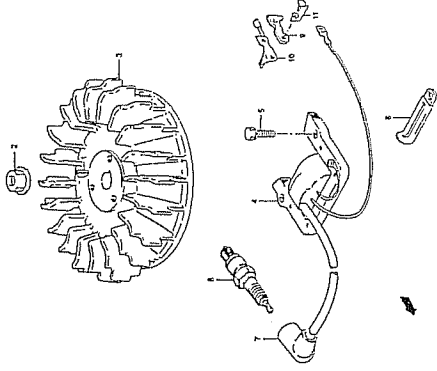
M120X01 E04_009
RECOIL STARTER(FOR DUAL ELEMENT)

FIG. 10 RECOIL STARTER (E6) (B-11)



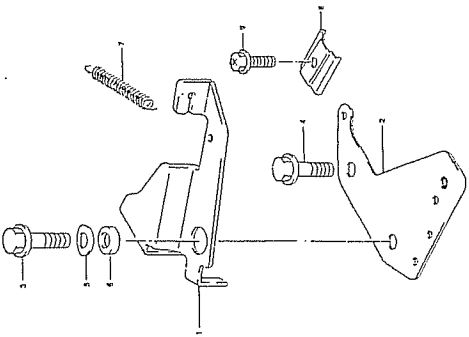
M120X01 E04_010
RECOIL STARTER(E6)

FIG. 11 MAGNETO (C-2)



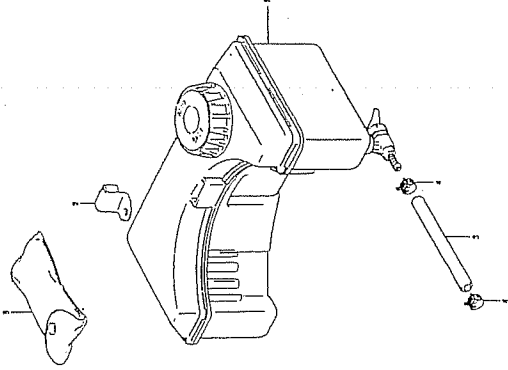
M120X01 E04_011
MAGNETO

FIG. 12 BRAKE (TYPE:B) (C-3)



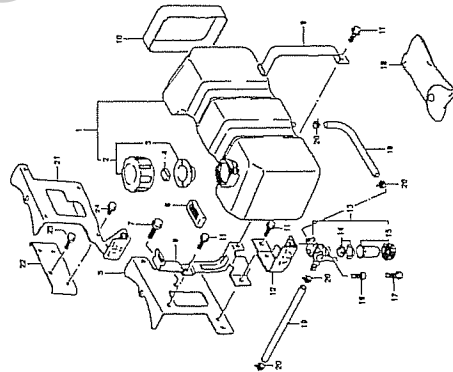
M120X01 E04_012
BRAKE(B)

FIG. 13 FUEL TANK (E4 MODEL:91) (C-4)



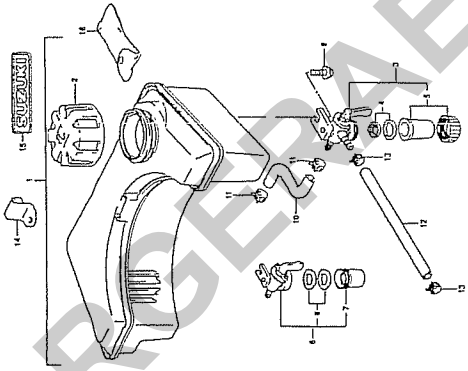
M120X01 E04_013
FUEL TANK(E4 MODEL:91)

FIG. 14 FUEL TANK (E2,E6:DUAL ELEMENT ~
MODEL:98) (C-5)



M120X01 E04_014
FUEL TANK(E2,E6:MODEL:98)

FIG. 15 FUEL TANK (MODEL:92~00) (C-6)

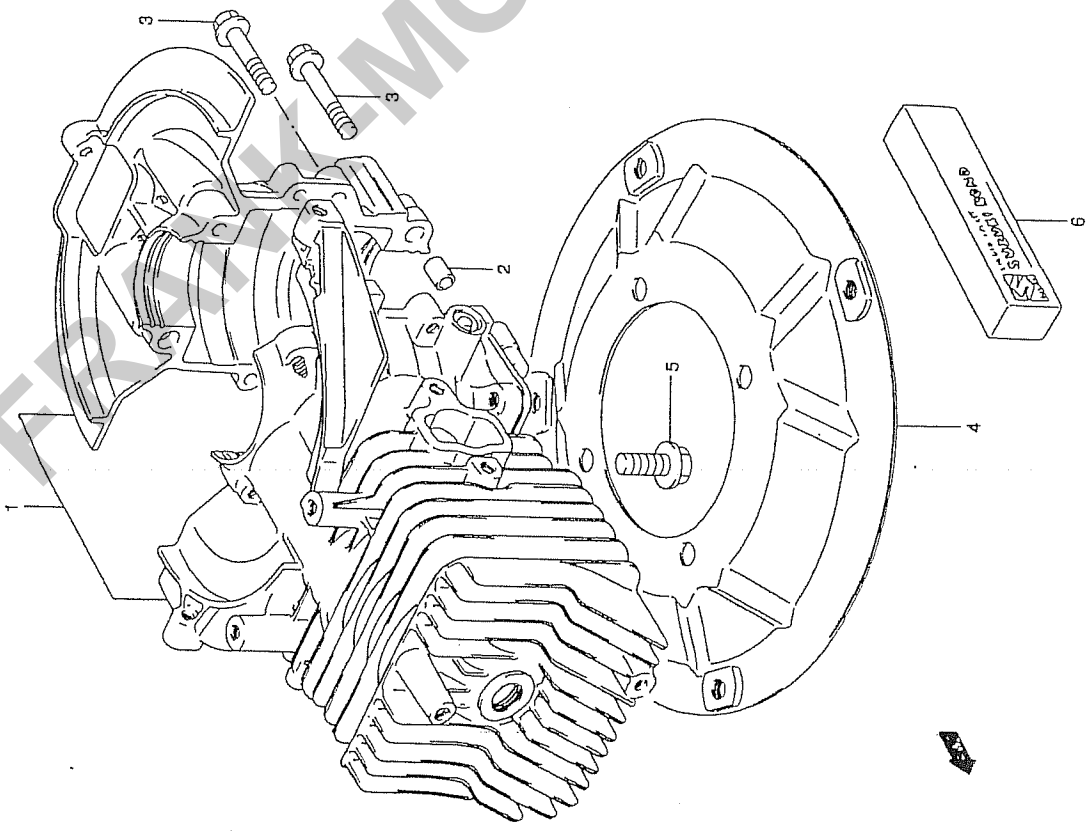


M120X01 E04_015
FUEL TANK(MODEL:92~00)

FIG.1

FIG.1 (B-2) CRANKCASE

| REF. NO. | PART NO. | DESCRIPTION | QTY | REMARKS |
|----------|-----------------|--------------------------|-----|--------------------------------|
| 1 | 11300-906A0 | CRANKCASE ASSY | 1 | --11300-90620 --11300-90650 |
| 2 | 04211-09109 | -PIN (9X10) | 2 | |
| 3 | 01550-06303 | -HEX.BOLT | 6 | |
| 4-1 | 11610-90600-35F | PLATE, MOUNTING (BLACK) | 1 | E2, E4, E34 |
| 4-2 | 11610-90610-35F | PLATE, MOUNTING (BLACK) | 1 | E6 |
| 5 | 01550-08203 | HEX.BOLT | 4 | |
| 6 | 99000-31110 | LIQUID GASKET (NET:100G) | 1 | OPT |



M120X(B) E04_001
CRANKCASE

M120X(B) E4

FIG.2

2

FIG.2 (B-3) CRANKSHAFT

| REF NO. | PART NO. | DESCRIPTION | QTY | REMARKS |
|---------|-----------------|----------------------------|-----|-------------------------|
| 1-1 | 12110-90620 | PISTON | 1 | ←12110-90611 |
| 1-2 | 12110-90620-025 | PISTON (OS.0.25) | 1 | OPT ←12110-90611-025 |
| 2-1 | 12140-90600 | RING SET, PISTON | 1 | |
| 2-2 | 12140-90600-025 | RING SET, PISTON (OS.0.25) | 1 | OPT |
| 3 | 12151-90600 | PIN, PISTON | 1 | |
| 4 | 09263-12017 | BEARING (12X15X19.2) | 1 | |
| 5 | 09381-12001 | CIRCLIP | 1 | |
| 6-1 | 12200-906A0 | CRANKSHAFT ASSY (L:50) | 2 | E2, E4, E34 |
| 6-2 | 12200-90680 | CRANKSHAFT ASSY (L:59) | 1 | E2, E4 |
| 6-3 | 12200-90670 | CRANKSHAFT ASSY | 1 | E6 |
| 7 | 09262-20106 | ·BEARING (20X42X12) | 1 | |
| 8 | 08113-60050 | ·BEARING (25X47X12) | 1 | |
| 9 | 12161-90600 | ·ROD, CONNECTING | 1 | |
| 10 | 12211-90600 | ·PIN, CRANK | 1 | |
| 11 | 12221-90640 | ·CRANKSHAFT, UPPER | 1 | ←12221-90630 |
| 12 | 09268-18018 | ·BEARING, CRANK PIN | 1 | |
| 13-1 | 12251-90670 | ·CRANKSHAFT, LOWER (L:50) | 1 | FOR 12200-906A0 |
| 13-2 | 12251-90680 | ·CRANKSHAFT, LOWER (L:59) | 1 | FOR 12200-90680 |
| 14 | 08211-38463 | THRUST WASHER, UPPER | 1 | |
| 15 | 09288-20039 | OIL SEAL (20X42X8) | 1 | |
| 16 | 09160-43001 | WASHER (49X51X2.0) | 1 | |
| 17 | 09283-25073 | OIL SEAL (25X47X8) | 1 | |
| 18 | 19210-90610 | BRACKET, ARM | 1 | |
| 19 | 19211-90100 | ·ARM, CENTRIFUGAL | 4 | |
| 20 | 19221-90601 | SPACER, GOVERNOR | 1 | |
| 21 | 04221-03059 | PIN | 1 | |
| 22 | 09420-04008 | KEY | 1 | E6 |

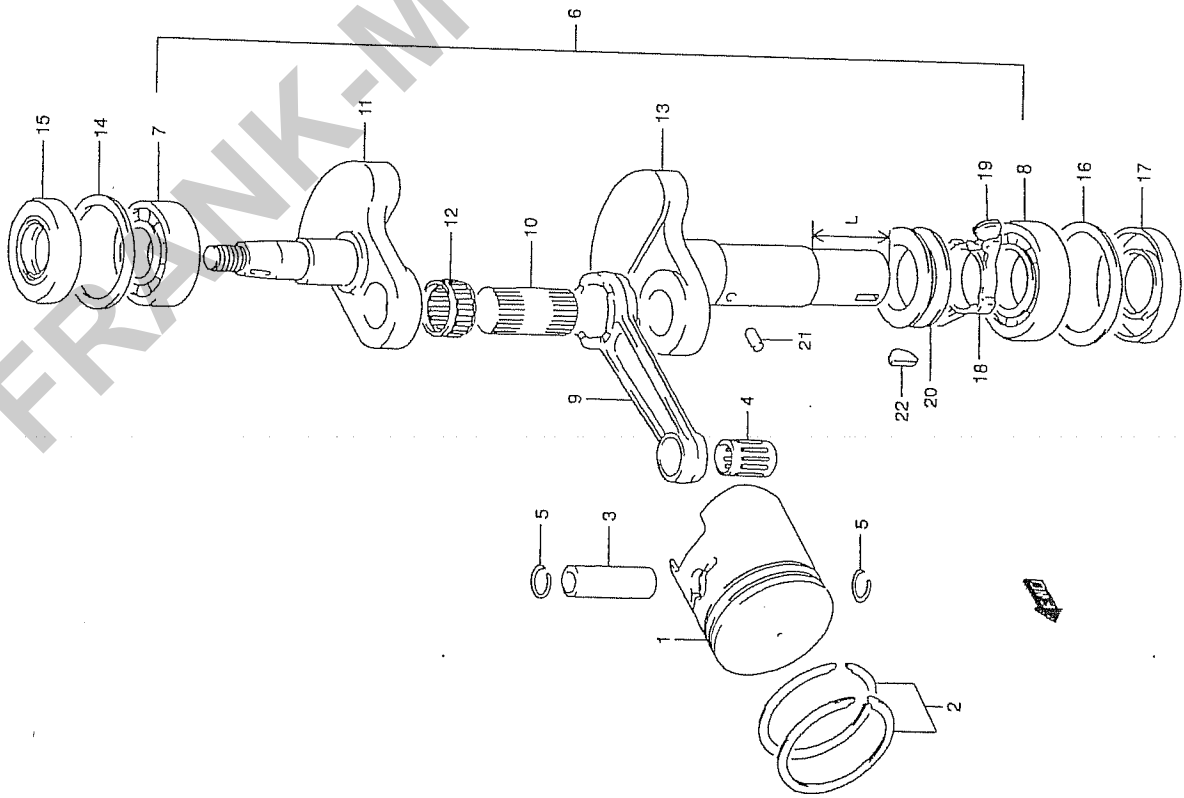
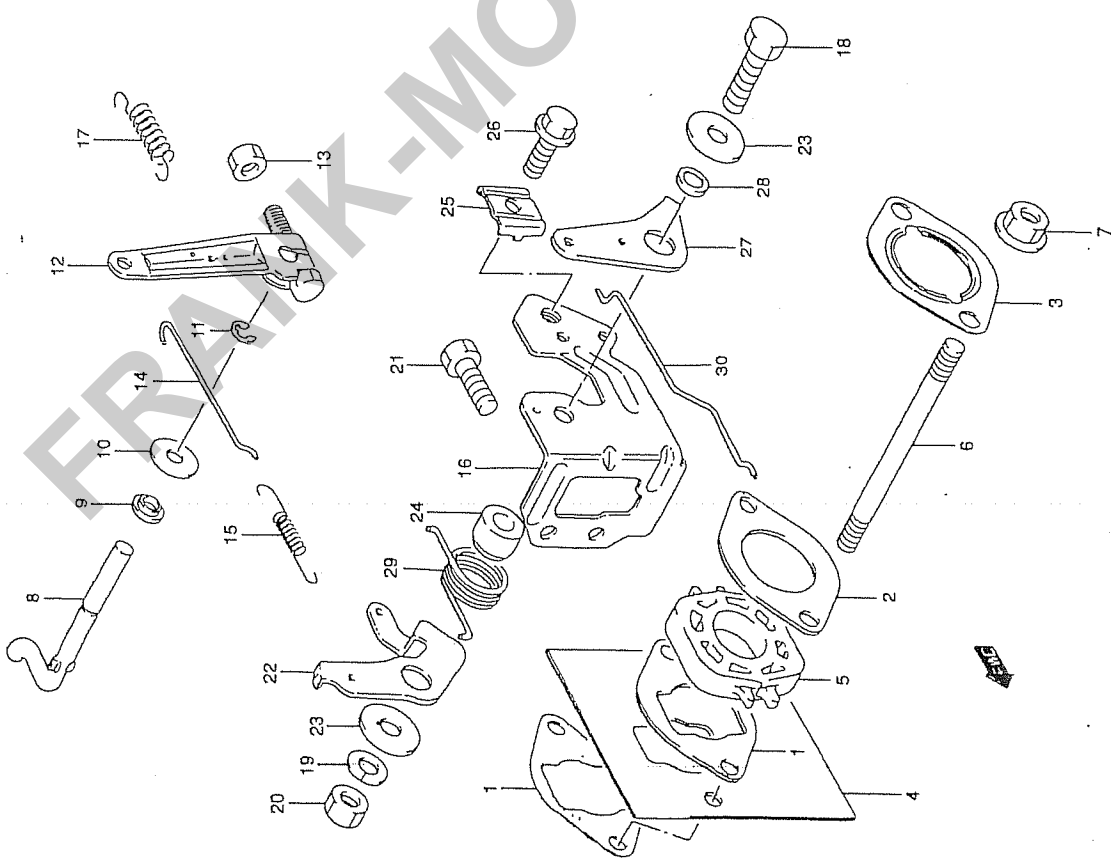


FIG.3 (B-4) CARBURETOR CONTROL

| REF NO. | PART NO. | DESCRIPTION | QTY | REMARKS |
|---------|-------------|---------------------------|-----|----------------------------|
| 1 | 13125-90630 | GASKET, CARBURETOR | 2 | |
| 2 | 13125-90620 | GASKET, CARBURETOR | 1 | |
| 3 | 13881-90901 | GASKET, AIR CLEANER | 1 | |
| 4 | 13128-90600 | SHIELD | 1 | |
| 5 | 13129-90620 | INSULATOR, CARBURETOR | 1 | E6 E2, E4, DUAL ELEMENT |
| 6-1 | 01421-06703 | STUD BOLT (6X70) | 2 | E2, E4, E34 |
| 6-2 | 09108-06067 | STUD BOLT (6X82) | 2 | E2, E4, E34 |
| 7 | 06316-10063 | NUT | 2 | |
| 8 | 19231-90611 | SHAFT, THROTTLE RETURN | 1 | |
| 9 | 09284-05002 | OIL SEAL (5X10X14) | 1 | |
| 10 | 09160-05037 | WASHER (5.5X16X1.2) | 1 | |
| 11 | 06332-11043 | E RING | 1 | |
| 12 | 19240-90630 | LEVER, THROTTLE CONTROL | 1 | |
| 13 | 06310-00063 | NUT | 1 | |
| 14 | 19271-90600 | ROD, CARBURETOR | 1 | |
| 15 | 09443-05014 | SPRING | 1 | |
| 16 | 19260-90620 | BRACKET, THROTTLE CONTROL | 1 | |
| 17-1 | 19245-90600 | SPRING (L-46) | 1 | STD: E2, E4, E34 |
| 17-2 | 19245-90610 | SPRING (L-46) | 1 | E2, E4, E34 |
| 17-3 | 19245-90620 | SPRING (L-50) | 1 | E2, E4, E34 |
| 17-4 | 19245-90650 | SPRING (L-25) | 1 | E6 |
| 18 | 02162-06203 | BOLT | 1 | |
| 19 | 06321-01063 | LOCK WASHER | 1 | |
| 20 | 09140-06027 | NUT | 1 | |
| 21 | 09103-06172 | BOLT (6X12) | 1 | |
| 22 | 19251-90620 | LEVER, GOVERNOR SPRING | 1 | E2, E4, E34 |
| 23-1 | 09160-06028 | WASHER (6.5X18X1.0) | 1 | |
| 23-2 | 09160-06086 | WASHER (6.5X20X1.0) | 1 | MODEL: 94~00 |
| 24 | 09180-06153 | SPACER (6.7X10X9) | 1 | |
| 25 | 19263-90620 | HOOK, CABLE | 1 | |
| 26 | 02162-05163 | BOLT | 1 | |
| 27 | 19264-90620 | LEVER, CHOKE CONTROL | 1 | |
| 28 | 09180-06129 | SPACER (6.2X10X2.2) | 1 | |
| 29 | 09448-18018 | SPRING | 1 | |
| 30 | 19275-90620 | ROD, CHOKE | 1 | |

M120X(B) E4

FIG.3



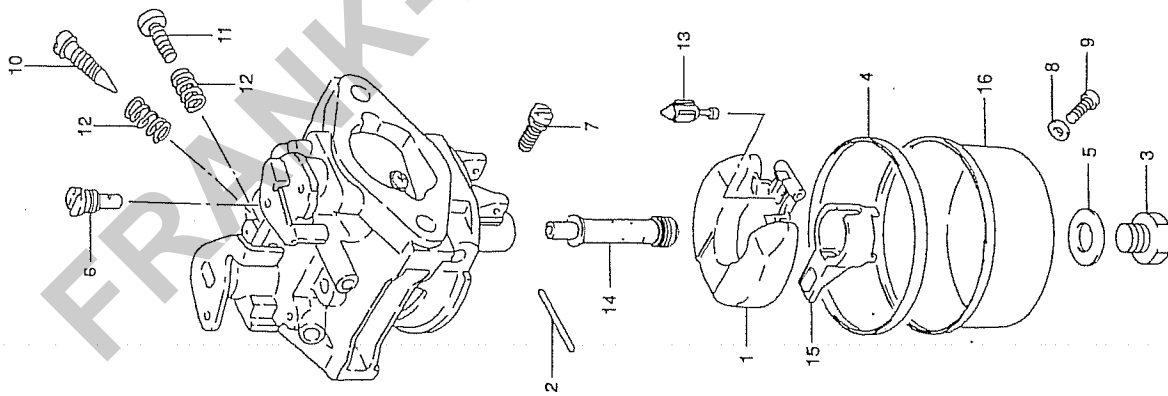
M120X(B) E04_003
CARBURETOR CONTROL

FIG.4

2

FIG.4 (B-5) CARBURETOR

| REF NO. | PART NO. | DESCRIPTION | QTY | REMARKS |
|---------|-------------|------------------------|-----|---------------------------------|
| | 13200-90674 | CARBURETOR ASSY | 1 | E2, E4, E84 |
| | 13200-90684 | CARBURETOR ASSY | 1 | E2, E4 FOR DUAL ELEMENT |
| | 13200-90663 | CARBURETOR ASSY | 1 | E6 |
| 1 | 13252-87C00 | ·FLOAT | 1 | |
| 2 | 13254-98300 | ·PIN | 1 | →13254-93010 |
| 3 | 13247-87C00 | ·BOLT | 1 | |
| 4 | 13251-90700 | ·GASKET, FLOAT CHAMBER | 1 | |
| 5 | 13249-90700 | ·GASKET | 1 | |
| 6-1 | 09492-37001 | ·JET, PILOT (#37.5) | 1 | FOR 13200-90674 →09492-35011 |
| 6-2 | 09492-40010 | ·JET, PILOT (#40) | 1 | FOR 13200-90684 |
| 6-3 | 09492-45035 | ·JET, PILOT (#45) | 1 | E6 |
| 7-1 | 09491-81001 | ·JET, MAIN (#81.3) | 1 | FOR 13200-90674 |
| 7-2 | 09491-80009 | ·JET, MAIN (#80) | 1 | FOR 13200-90684 |
| 7-3 | 09491-90011 | ·JET, MAIN (#90) | 1 | E6 |
| 8 | 13619-90650 | ·GASKET | 1 | |
| 9 | 13605-90650 | ·SCREW, DRAIN | 1 | |
| 10 | 13279-90000 | ·ADJUSTER | 1 | |
| 11 | 02112-04123 | ·SCREW | 1 | |
| 12 | 13268-52010 | ·SPRING | 2 | |
| 13 | 13301-87C00 | ·NEEDLE VALVE | 1 | →13372-87C01 |
| 14-1 | 13235-90680 | ·NOZZLE | 1 | FOR 13200-90674 |
| 14-2 | 13235-90681 | ·NOZZLE | 1 | FOR 13200-90684 |
| 14-3 | 13235-90660 | ·NOZZLE | 1 | E6 |
| 15 | 13256-87C00 | ·RING | 1 | |
| 16 | 13245-87C00 | ·CHAMBER, FLOAT | 1 | |



M120X(B) E04_004
CARBURETOR

M120X(B) E4

FIG.5

(B-6) AIR CLEANER (STD) (E2, E4, E36)

| REF. NO. | PART NO. | DESCRIPTION | QTY | REMARKS |
|----------|-------------|---------------------|-----|--------------------------|
| 1 | 13700-90620 | CLEANER ASSY, AIR | 1 | MODEL:91 →13700-90630 |
| 2 | 13781-90630 | ·FILTER | 1 | MODEL:91 →13781-90610 |
| 3 | 13881-90901 | GASKET, AIR CLEANER | 1 | →13881-90900 |
| 4 | 02162-05103 | SCREW | 1 | |
| 5 | 09169-05021 | WASHER | 1 | |
| 6 | 13700-90630 | CLEANER ASSY, AIR | 1 | STD MODEL:92-00 |
| 7 | 13781-90620 | ·FILTER | 1 | MODEL:92-00 |
| 8 | 13741-90620 | ·CAP, AIR CLEANER | 1 | MODEL:92-00 |
| 9 | 13744-90600 | ·PLATE, BAFFLE | 1 | MODEL:92-00 |

REFER TO FIG.6 (B-7) FOR DUAL ELEMENT

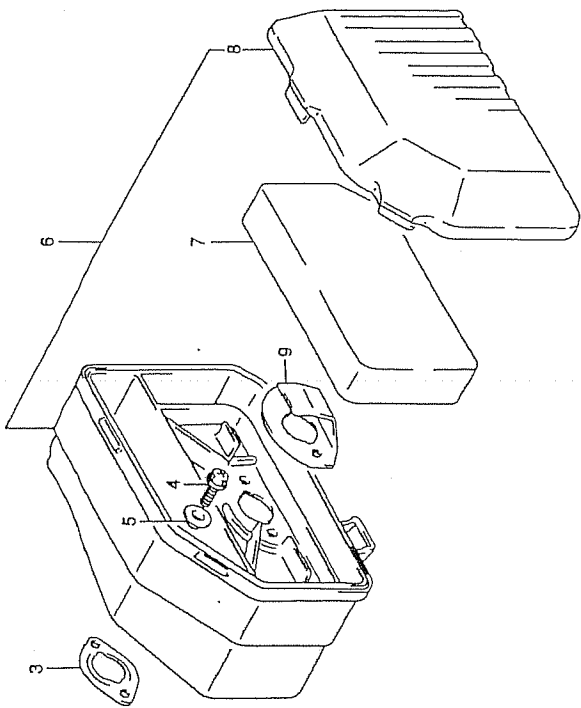
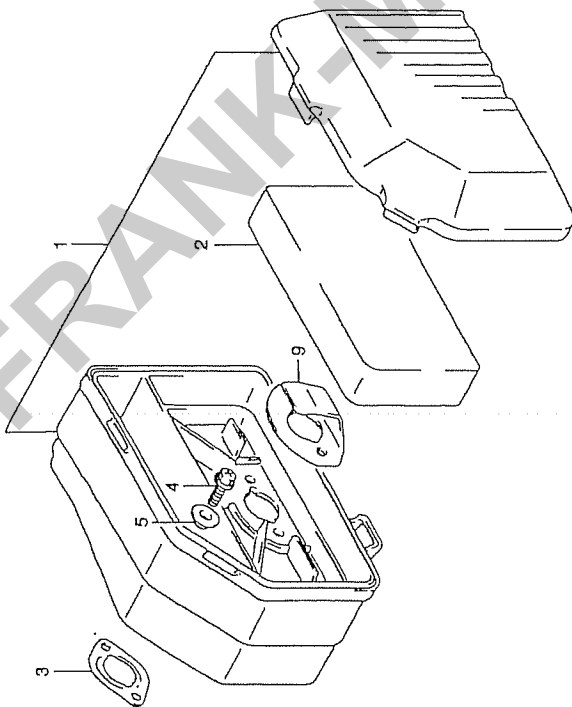
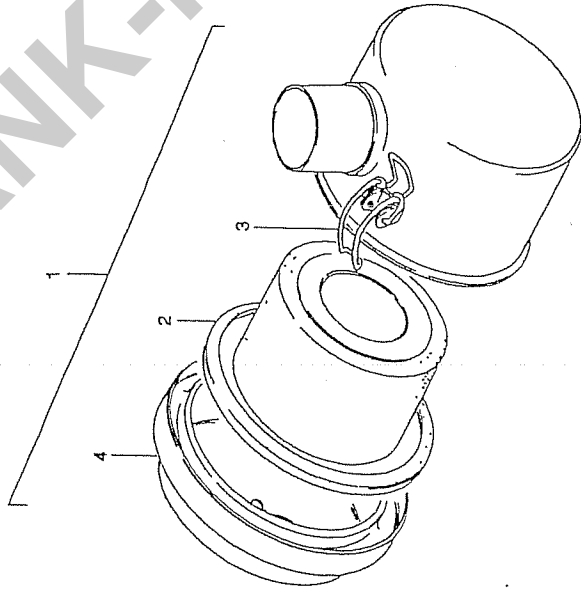


FIG.6

FIG.6 (B-7) AIR CLEANER (DUAL ELEMENT) (E2, E4, E6)

2

FRANK-MOTORGERAETE



| REF. NO. | PART NO. | DESCRIPTION | QTY | REMARKS |
|----------|-----------------|---------------------------|-----|---------|
| 1 | 13700-90610-35F | CLEANER ASSY, AIR (BLACK) | 1 | |
| 2 | 13780-90600 | -FILTER | 1 | |
| 3 | 13620-90510 | -CLAMP, CLEANER | 2 | |
| 4 | 13740-90610-35F | -CAP (BLACK) | 1 | |

M120X(B) E04 .006
AIR CLEANER(DUAL ELEMENT)

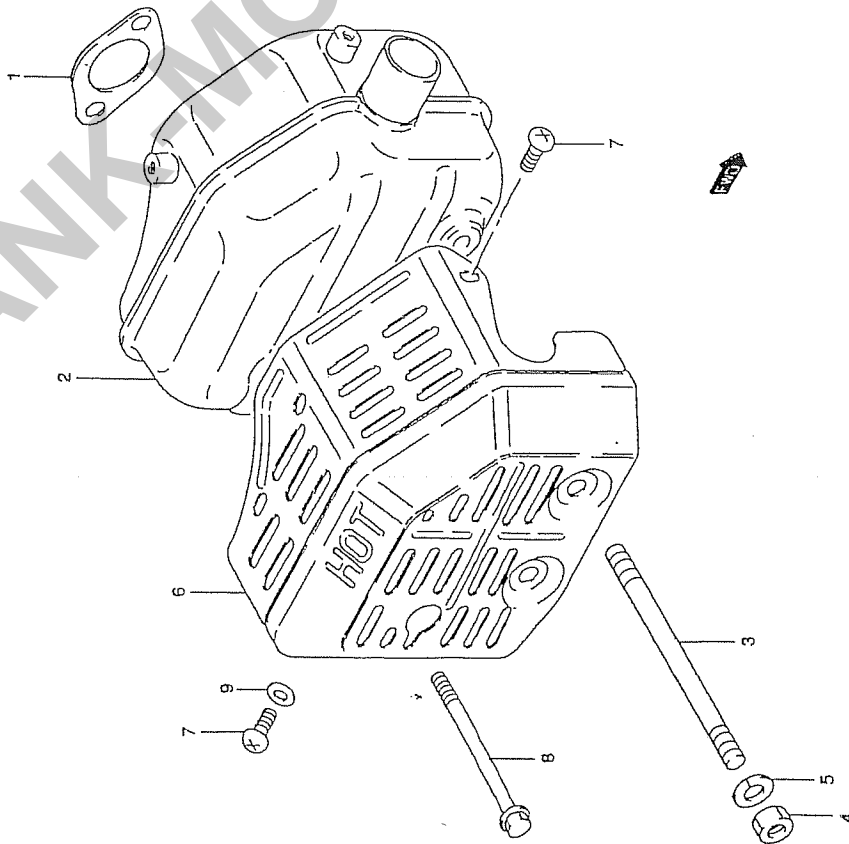
M120X(B) E4

FIG.7 (B-8) MUFFLER

| REF. NO. | PART NO. | DESCRIPTION | QTY | REMARKS |
|----------|-------------|-------------------|-----|-------------------|
| 1 | 14141-90610 | GASKET, MUFFLER | 1 | --14141-90600 |
| 2 | 14310-90640 | MUFFLER | 1 | --14310-90630 |
| 3 | 09108-08179 | STUD BOLT (6X115) | 2 | |
| 4 | 08310-00083 | NUT | 2 | M8 |
| 5 | 08321-01083 | LOCK WASHER | 2 | |
| 6-1 | 14780-90610 | COVER, MUFFLER | 1 | ANTINOISE MUFFLER |
| 6-2 | 14780-90620 | COVER, MUFFLER | 1 | |
| 7 | 02112-06083 | SCREW | 2 | M6X8 |
| 8 | 09103-06173 | HEX.BOLT (6X85) | 1 | --09103-06057 |
| 9 | 08322-01063 | WASHER | 1 | FOR 14780-90620 |

FRANKMOTORGERAETE

FIG.7



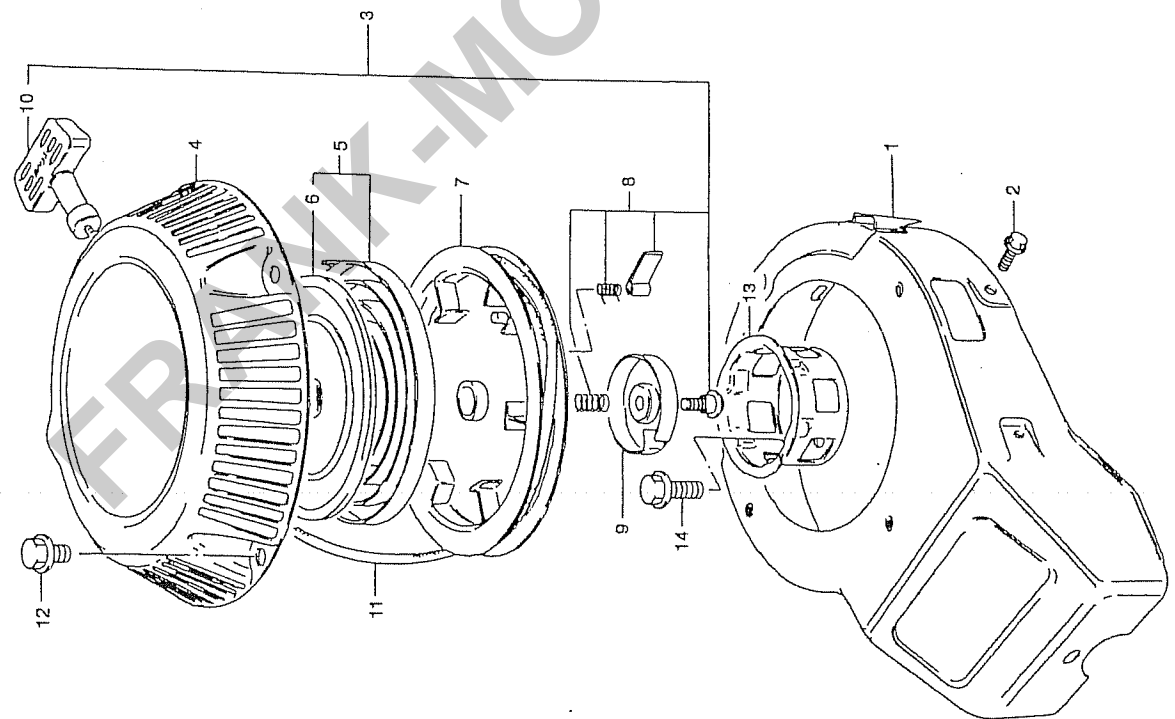
M120X(B) E4

M120X(B) E04_007
MUFFLER

FIG.8

2

FIG.8 (B-9) RECOIL STARTER



| REF. NO. | PART NO. | DESCRIPTION | QTY | REMARKS |
|----------|-----------------|------------------------------|-----|---|
| 1 | 17210-906A1-35F | COVER, COOLING FAN (BLACK) | 1 | ←17210-906A0-35F |
| 2 | 09103-06181 | HEX.BOLT (6X12) | 3 | |
| 3-1 | 18100-90614-35F | STARTER ASSY, RECOIL (BLACK) | 1 | MODEL:91 ←18100-90613-35F |
| 3-2 | 18100-90671-35F | STARTER ASSY, RECOIL (BLACK) | 1 | MODEL:92-00 |
| 4 | 18110-90601-35F | CASE (BLACK) | 1 | |
| 5 | 18140-90601 | SPRING SET | 1 | |
| 6 | 18143-90600 | HOLDER | 1 | |
| 7 | 18121-90604 | REEL (OD:136) | 1 | ←18121-90603 |
| 8 | 18130-90600 | RATCHET SET | 1 | |
| 9 | 18151-90600 | RETAINER | 1 | ←18210-90600 |
| 10 | 18210-90011 | GRIP | 1 | |
| 11 | 99000-81157-50M | ROPE | 1 | OPT FOR 18100-90614 L:50000-1850 FOR 18100-90671 L:50000-2350 |
| 12 | 01550-06103 | HEX.BOLT | 4 | M6X10 |
| 13 | 18211-90601 | PULLEY, STARTER | 1 | |
| 14 | 02162-06123 | SCREW | 3 | M6X12 |

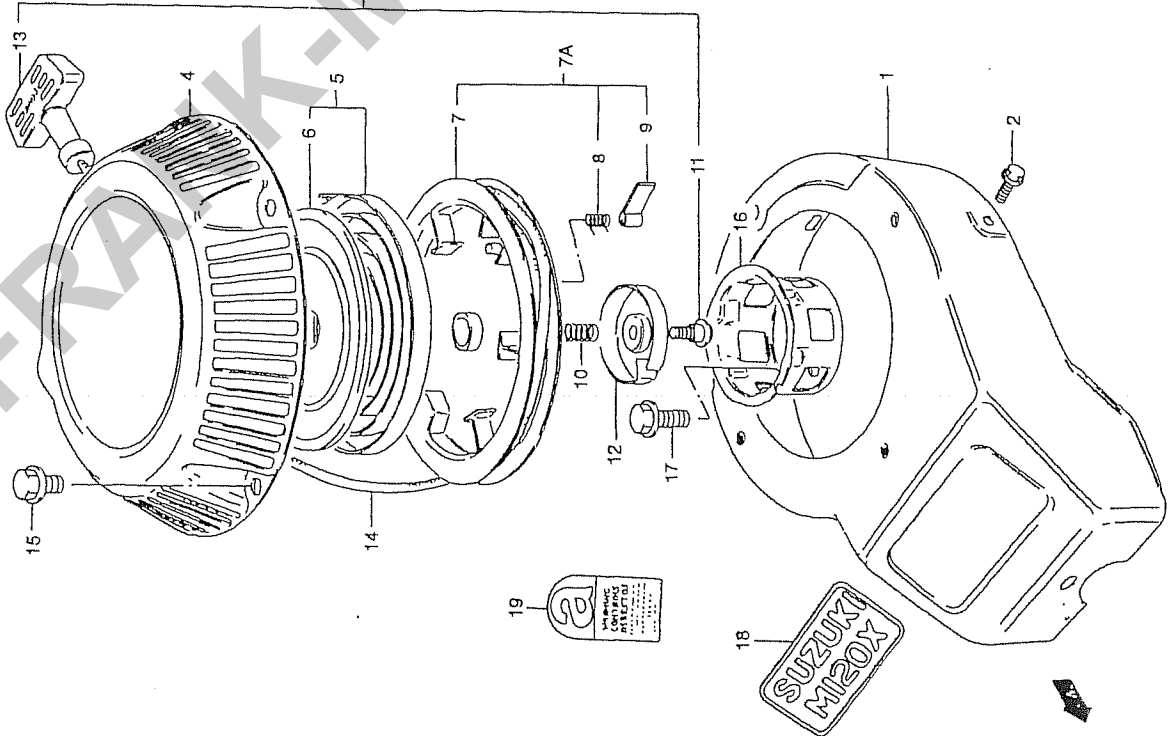
REFER TO FIG.9 (B-10) FOR TYPE:DUAL ELEMENT
REFER TO FIG.10 (B-11) FOR E6

M120X(B) E4

M120X(B) E04_008
RECOIL STARTER

FIG.9 (B-10) RECOIL STARTER (TYPE : DUAL ELEMENT)

| REF.NO. | PART NO. | DESCRIPTION | QTY | REMARKS |
|---------|-----------------|------------------------------|-----|--|
| 1-1 | 17210-90650-35F | COVER, COOLING FAN (BLACK) | 1 | --17210-90650-35F W/09103-06124 |
| 1-2 | 17220-90612-35F | COVER, COOLING FAN (BLACK) | 1 | MODEL:99, 00 |
| 2 | 09103-06181 | HEX BOLT (6X12) | 3 | --09103-06079 |
| 3 | 18100-90614-35F | STARTER ASSY, RECOIL (BLACK) | 1 | --18100-90613-35F --18100-90613-163 |
| 4 | 18110-90601-35F | -CASE (BLACK) | 1 | |
| 5 | 18140-90601 | -SPRING SET | 1 | --18141-90600 |
| 6 | 18143-90600 | --HOLDER | 1 | |
| 7 | 18121-90604 | -REEL (OD:136) | 1 | |
| 7A | 18130-90600 | -RATCHET SET | 1 | --18121-90600 |
| 8 | 18132-90010 | --SPRING | 1 | |
| 9 | 18131-90010 | --DOG | 1 | |
| 10 | 18152-90600 | --SPRING | 1 | |
| 11 | 18153-90010 | --BOLT | 1 | |
| 12 | 18151-90600 | -RETAINER | 1 | |
| 13 | 18210-90011 | -GRIP | 1 | |
| 14 | 99000-81157-50M | ROPE | 1 | OPT. L:50000--1650 |
| 15 | 01550-06103 | HEX BOLT | 4 | M6X10 |
| 16 | 18211-90601 | PULLEY, STARTER | 1 | |
| 17 | 02162-06123 | HEX BOLT | 3 | M6X12 |
| 18 | 19811-90600 | EMBLEM, SUZUKI M120X | 1 | |
| 19 | 11967-82000 | LABEL, ASBESTOS WARNING | 1 | |



M120X(B) E4

M120X(B) E04_009
RECOIL STARTER(FOR DUAL ELEMENT)

FIG.10

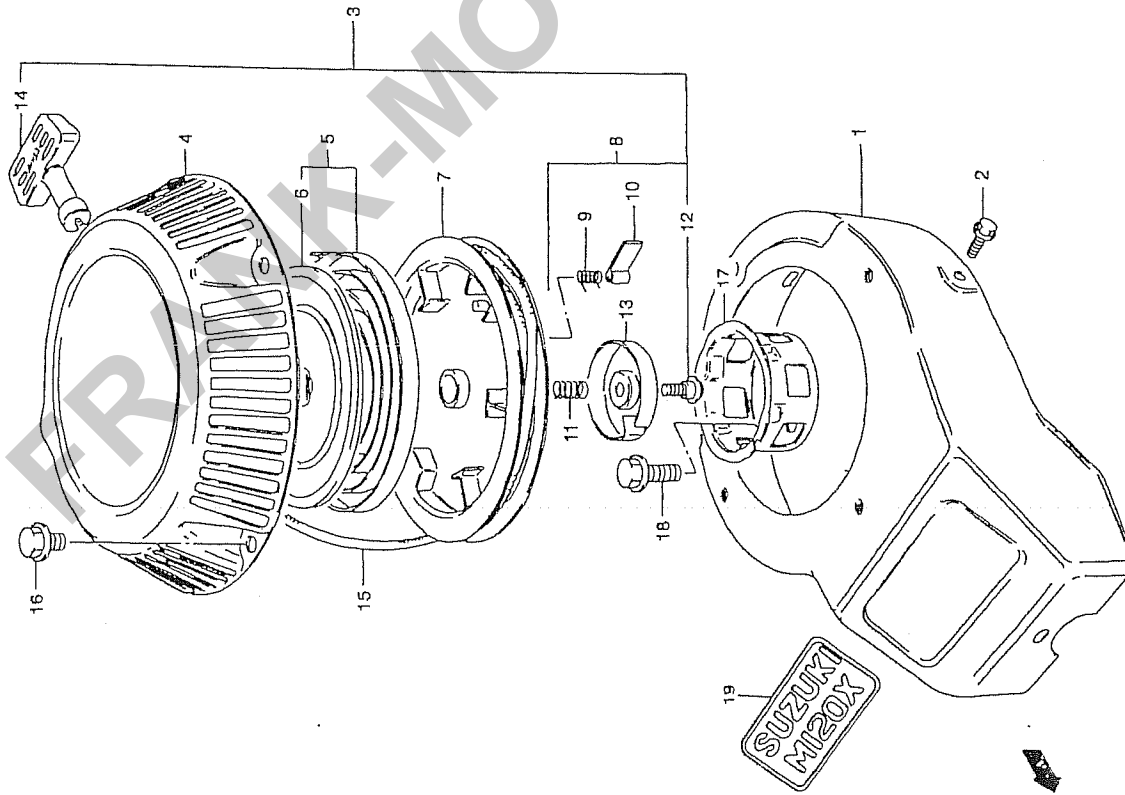


FIG.10 (B-11) RECOIL STARTER (E6)

| REF. NO. | PART NO. | DESCRIPTION | QTY | REMARKS |
|----------|-----------------|------------------------------|-----|--------------------------------------|
| 1-1 | 17210-90690-35F | COVER, COOLING FAN (BLACK) | 1 | MODEL:98-00 |
| 1-2 | 17210-906B1-35F | COVER, COOLING FAN (BLACK) | 1 | |
| 2 | 09103-06178 | HEX.BOLT | 3 | ←18100-90612-019 ←18100-90614-163 |
| 3 | 18100-90614-35F | STARTER ASSY, RECOIL (BLACK) | 1 | |
| 4 | 18110-90601-35F | ·CASE (BLACK) | 1 | |
| 5 | 18140-90601 | ·SPRING SET | 1 | ←18141-90600 |
| 6 | 18143-90600 | ·HOLDER | 1 | |
| 7 | 18121-90604 | ·REEL (OD:136) | 1 | ←18121-90602 |
| 8 | 18130-90600 | ·RATCHET SET | 1 | |
| 9 | 18132-90010 | ··SPRING | 1 | |
| 10 | 18131-90010 | ··DOG | 1 | |
| 11 | 18152-90600 | ··SPRING | 1 | |
| 12 | 18153-90010 | ··BOLT | 1 | |
| 13 | 18151-90600 | ·PLATE, FRICTION | 1 | |
| 14 | 18210-90011 | ·GRIP | 1 | ←18210-90600 |
| 15 | 99000-81157-50M | ROPE (OD:4) | 1 | OPT L:50000→1650 |
| 16 | 01550-06103 | HEX.BOLT | 4 | M6X10 |
| 17 | 18211-90601 | PULLEY, STARTER | 1 | |
| 18 | 02162-06163 | HEX.BOLT | 3 | M6X16 |
| 19 | 19811-90600 | EMBLEM, SUZUKI M120X | 1 | |

M120X(B) E4

M120X(B) E04 010
RECOIL STARTER(E6)

FIG.11

FIG.11 (C-2) MAGNETO

| REF NO. | PART NO. | DESCRIPTION | QTY | REMARKS |
|---------|-------------|-------------------------|-----|------------------------|
| 1 | 09420-03007 | KEY | 1 | |
| 2 | 08316-10103 | NUT | 1 | M10 |
| 3 | 32102-90620 | FLYWHEEL, MAGNETO | 1 | |
| 4 | 32140-90620 | COIL /TRANSISTER UNIT | 1 | |
| 5 | 01547-06203 | BOLT | 2 | M6X20 |
| 6 | 09404-06432 | CLAMP | 1 | |
| 7-1 | 33510-90601 | CAP ASSY, SPARK PLUG | 1 | E2, E6 E4 ~MODEL.93 |
| 7-2 | 33510-98601 | CAP ASSY, SPARK PLUG | 1 | E4 MODEL.94~00 E34 |
| 8-1 | 09482-00261 | PLUG, SPARK (BPMR4A) | 1 | E2, E4, E34 |
| 8-2 | 09482-00258 | PLUG, SPARK (BPMR6A) | 1 | E6 |
| 9 | 19265-90610 | SEAT, STOP SW. TERMINAL | 1 | |
| 10 | 19266-87C00 | TERMINAL, STOP SW. | 1 | |
| 11 | 09229-03018 | RIVET | 2 | ←19266-90610 |

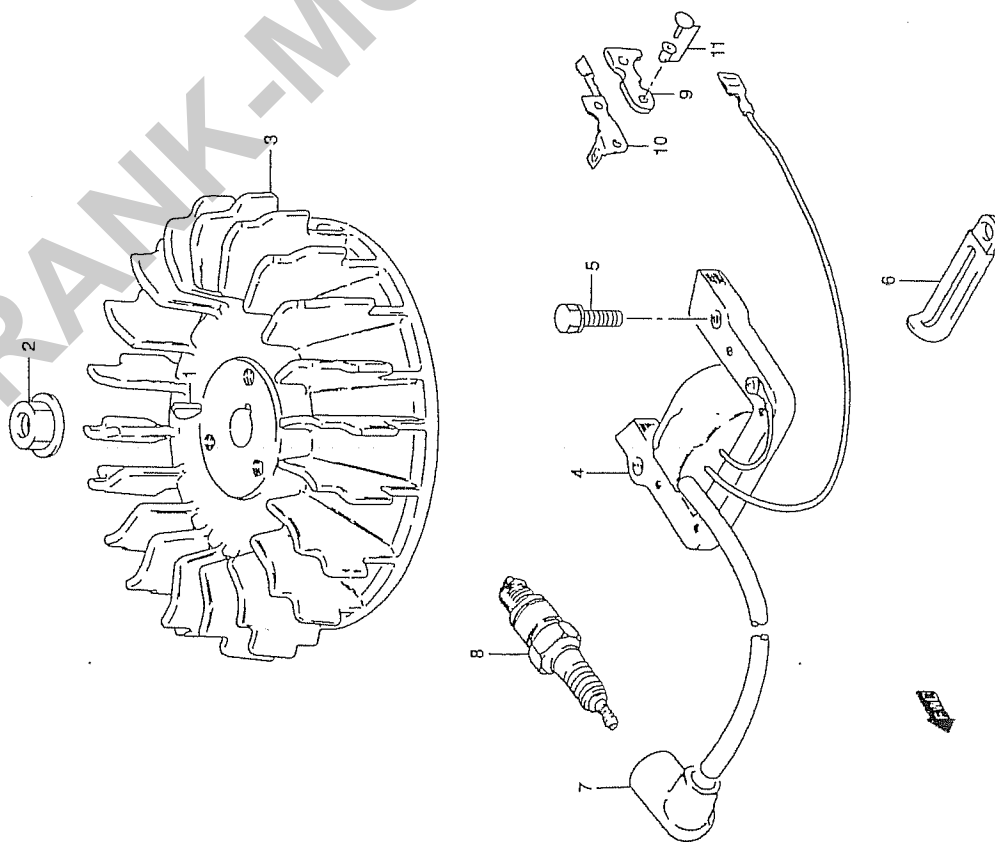
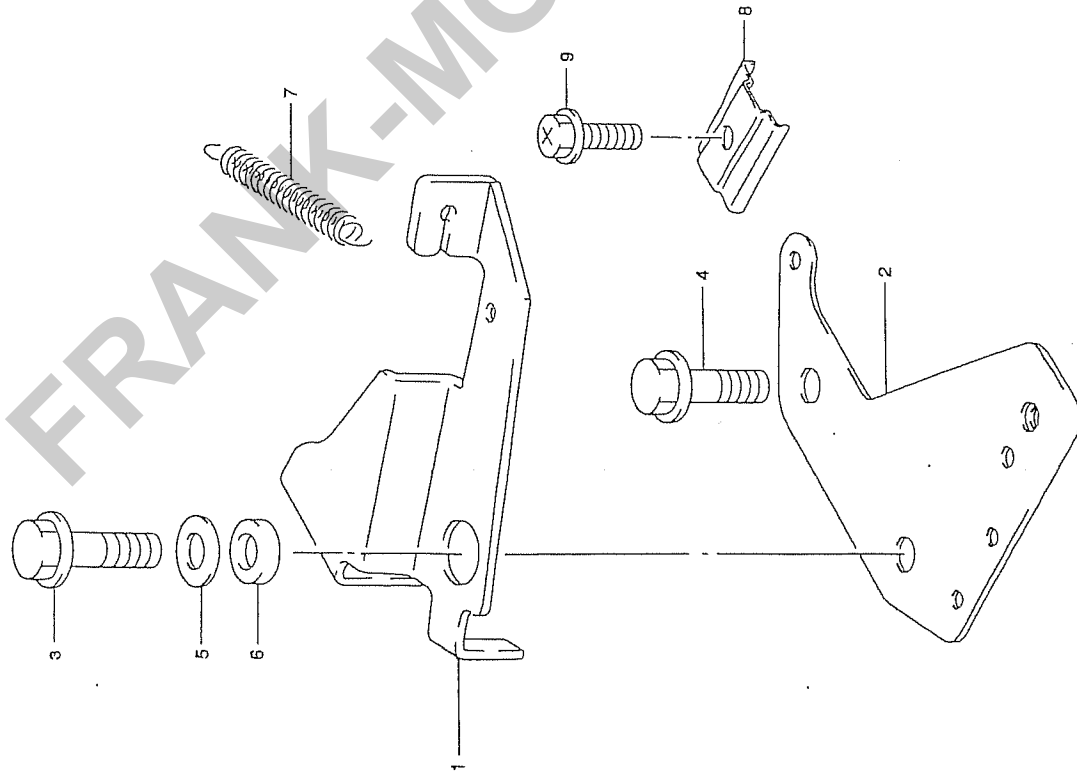


FIG.12

(C-3) BRAKE (TYPE:B)



| REF.NO. | PART NO. | DESCRIPTION | QTY | REMARKS |
|---------|-------------|-------------------|-----|---------|
| 1 | 24210-90610 | LEVER ASSY. BRAKE | 1 | |
| 2 | 24220-90600 | BRACKET, BRAKE | 1 | |
| 3 | 09103-06170 | BOLT | 1 | |
| 4 | 02162-06163 | BOLT | 1 | |
| 5 | 09160-06121 | WASHER | 1 | |
| 6 | 09180-06150 | SPACER | 1 | |
| 7 | 09443-07003 | SPRING | 1 | |
| 8 | 19263-90620 | HOOK, CABLE | 1 | |
| 9 | 02162-05163 | BOLT | 1 | |

FIG.13

(C-4) FUEL TANK (E4 MODEL:91)

| REF NO. | PART NO. | DESCRIPTION | QTY | REMARKS |
|---------|-----------------|---------------------------|-----|--------------|
| 1 | 44100-90610 | TANK ASSY, FUEL | 1 | →44100-90630 |
| 2 | 44861-90610 | BRACKET, FUEL TANK CENTER | 1 | |
| 3 | 09354-53103-600 | HOSE, FUEL | 1 | L:600→100 |
| 4 | 09401-09403 | CLIP | .2 | |
| 5 | 09800-00329 | TOOL ASSY | 1 | |

REFER TO FIG.14 (C-5) FOR E2, E6:DUAL ELEMENT ~MODEL:88
 REFER TO FIG.15 (C-6) FOR E2, E4, E6, E34:MODEL:92~00

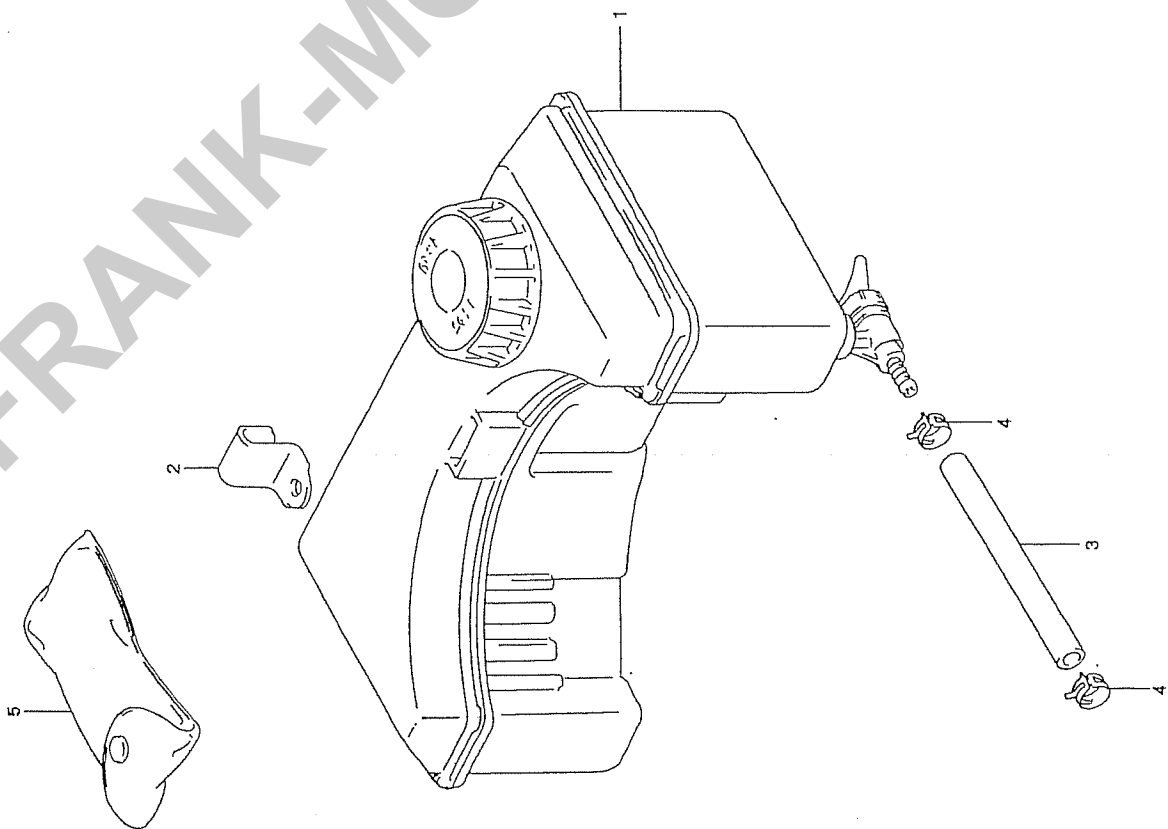


FIG.14

FIG.14 (C-5) FUEL TANK (E2, E6:DUAL ELEMENT ~MODEL:98)

| REF. NO. | PART NO. | DESCRIPTION | QTY | REMARKS |
|----------|-----------------|-------------------------|-----|--|
| 1 | 44100-90600 | TANK, FUEL | 1 | |
| 2 | 44210-90600 | ·CAP SET | 1 | |
| 3 | 44661-90601 | ··GASKET | 1 | →44661-90600 |
| 4 | 44662-90500 | ··GASKET | 1 | |
| 5 | 44830-90600 | BRACKET | 1 | →44830-90610 W/01517-06108(2) 09103-06090(2) 44870-90610(1) |
| 6 | 44842-90600 | PROTECTOR | 1 | |
| 7 | 09103-06090 | BOLT | 1 | FOR 44830-90600 |
| 8 | 44820-90600 | HOLDER, REAR | 2 | |
| 9 | 44811-90600 | HOLDER, FRONT | 2 | |
| 10 | 44841-90600 | CUSHION | 2 | |
| 11 | 01550-06127 | BOLT | 7 | |
| 12 | 44380-90600 | BRACKET, FUEL COCK | 1 | FOR 44830-90600 →44830-90610 →44300-90950 |
| 13 | 44300-90900 | COCK ASSY, FUEL | 1 | |
| 14 | 44320-90900 | ·FILTER SET | 1 | |
| 15 | 44305-90900 | ·CUP SET | 1 | |
| 16 | 09128-06011 | SCREW (6X12) | 1 | MODEL:94-98 |
| 17 | 01550-06103 | BOLT | 1 | |
| 18 | 09800-00329 | TOOL SET | 1 | |
| 19 | 09354-53103-600 | HOSE | 2 | L:600→160 |
| 20 | 09401-09403 | CLIP | 4 | |
| 21 | 44830-90610 | BRACKET, FUEL TANK | 1 | MODEL:91-98 FOR 44830-90610 |
| 22 | 44870-90610 | BRACKET, FUEL TANK REAR | 1 | FOR 44830-90610 |
| 23 | 02162-06167 | BOLT | 2 | FOR 44830-90610 |
| 24 | 02162-06103 | BOLT | 8 | FOR 44830-90610 |
| 25-1 | 99011-90621-045 | MANUAL, OWNERS | 1 | DRAWING NOT SHOWN |
| 25-2 | 99011-90622-045 | MANUAL, OWNERS | 1 | MODEL:97-98 |

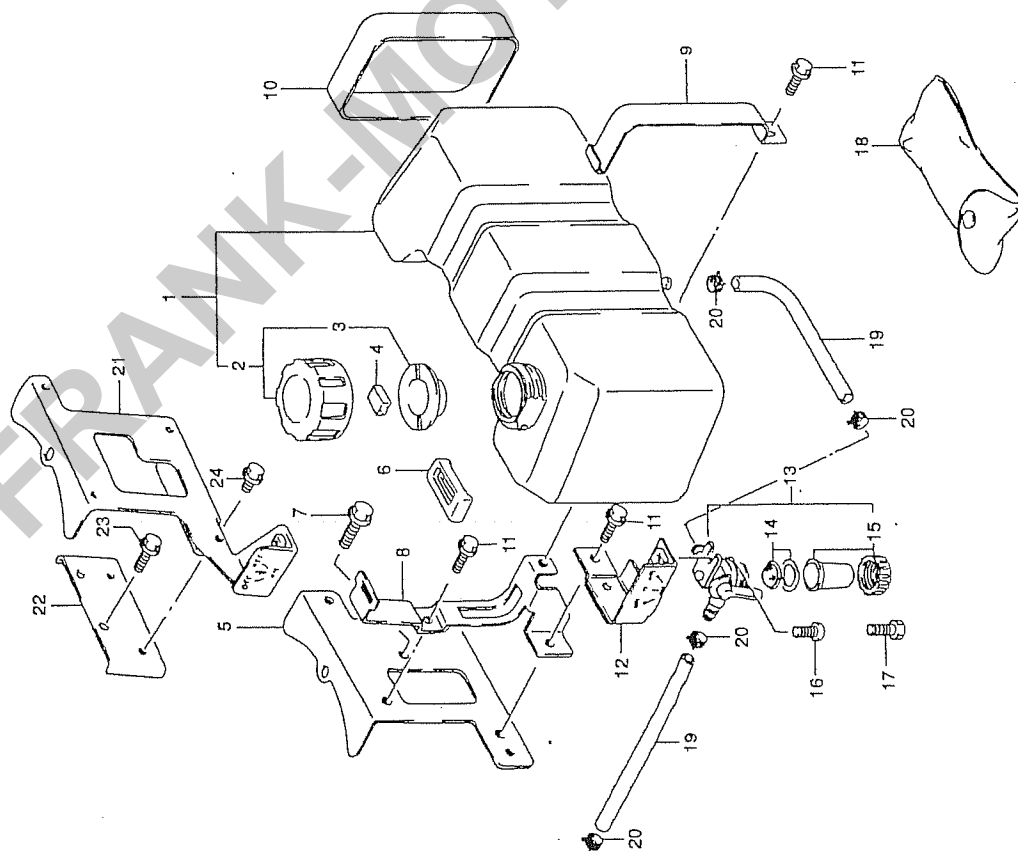
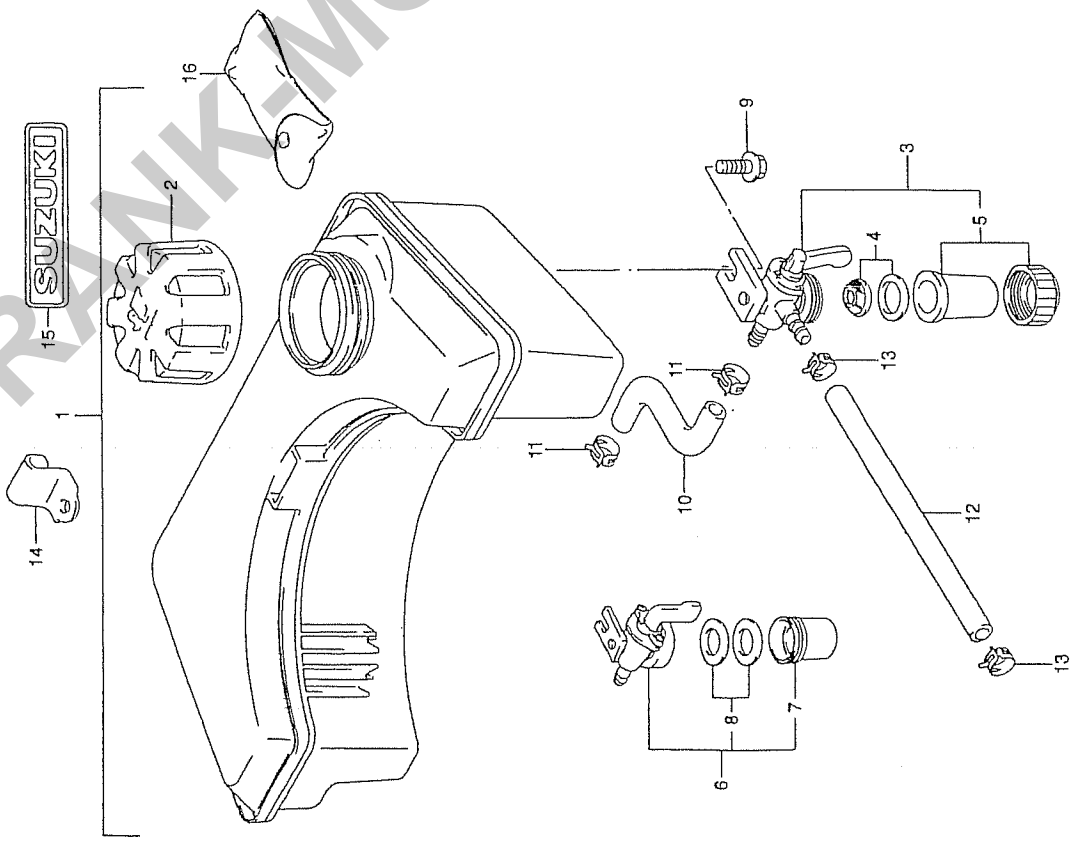


FIG.15

FIG.15 (C-6) FUEL TANK (MODEL:92~00) (*)

| REF. NO. | PART NO. | DESCRIPTION | QTY | REMARKS |
|----------|-----------------|----------------------------|-----|-------------------------------------|
| 1 | 44100-90630 | TANK ASSY, FUEL | 1 | →44100-90620 |
| 2 | 44210-87C30 | ·CAP ASSY, FUEL TANK | 1 | →44210-87C10 |
| 3 | 44300-90900 | ·COCK ASSY, FUEL | 1 | →44300-90850 |
| 4 | 44320-90900 | ·ELEMENT SET | 1 | |
| 5 | 44305-90900 | ·CUP SET | 1 | |
| 6 | 44300-90950 | ·COCK ASSY, FUEL | 1 | E4 109883~ E2, E6 200001~ E34 |
| 7 | 44319-90950 | ·CUP | 1 | |
| 8 | 44320-90950 | ·FILTER SET | 1 | |
| 9 | 02162-06103 | ·BOLT | 1 | |
| 10-1 | 09343-05505 | ·HOSE (TANK TO COCK) | 1 | L53 |
| 10-2 | 44611-90600 | ·HOSE, FUEL (TANK TO COCK) | 1 | MODEL:94~00 |
| 11 | 09401-09403 | ·CLIP | 2 | |
| 12 | 09354-53103-600 | HOSE (COCK TO CARBURETOR) | 1 | L500→140 |
| 13 | 09401-09403 | CLIP | 2 | |
| 14 | 44861-90610 | BRACKET, FUEL TANK CENTER | 1 | |
| 15 | 68281-24B00 | EMBLEM | 1 | E4 |
| 16 | 09800-00329 | TOOL ASSY | 1 | |
| 17 | 99011-90622-045 | MANUAL, OWNERS | 1 | DRAWING NOT SHOWN |

(*) : E4 MODEL:92~00
: E2, E6, E34 MODEL:99, 00



PARTS NUMBER INDEX
INDEX DE N° DE PIECE

FRANK-MOTORGERAETE

