



**MARUYAMA U.S., INC.**

15436 N.E. 95th St., Redmond, Washington 98052  
P.O. Box 2167, Redmond, Washington 98073-2167  
Phone (206) 885-0811 Fax (206) 885-0123

## ILLUSTRATED PARTS LIST

### MULTI-CUTTER AND TOOL ATTACHMENTS

MODEL: MC260 (POWER UNIT)

### ATTACHMENTS

MC260S (STRAIGHT SHAFT TRIMMER)

MC260C (CURVED SHAFT TRIMMER)

MC260D (HEDGE TRIMMER)

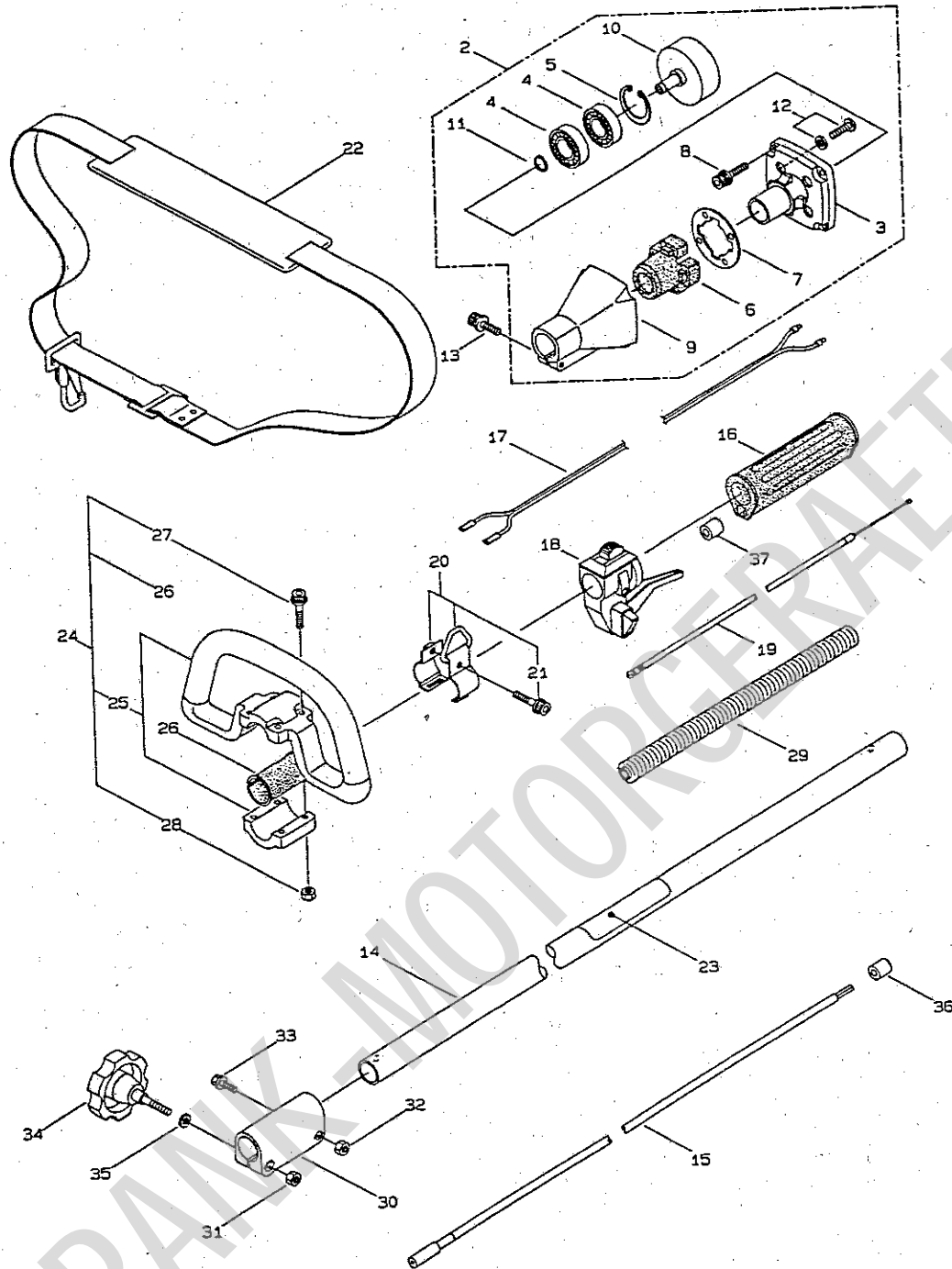
MC260E (EDGER)



Effective 2-1-93

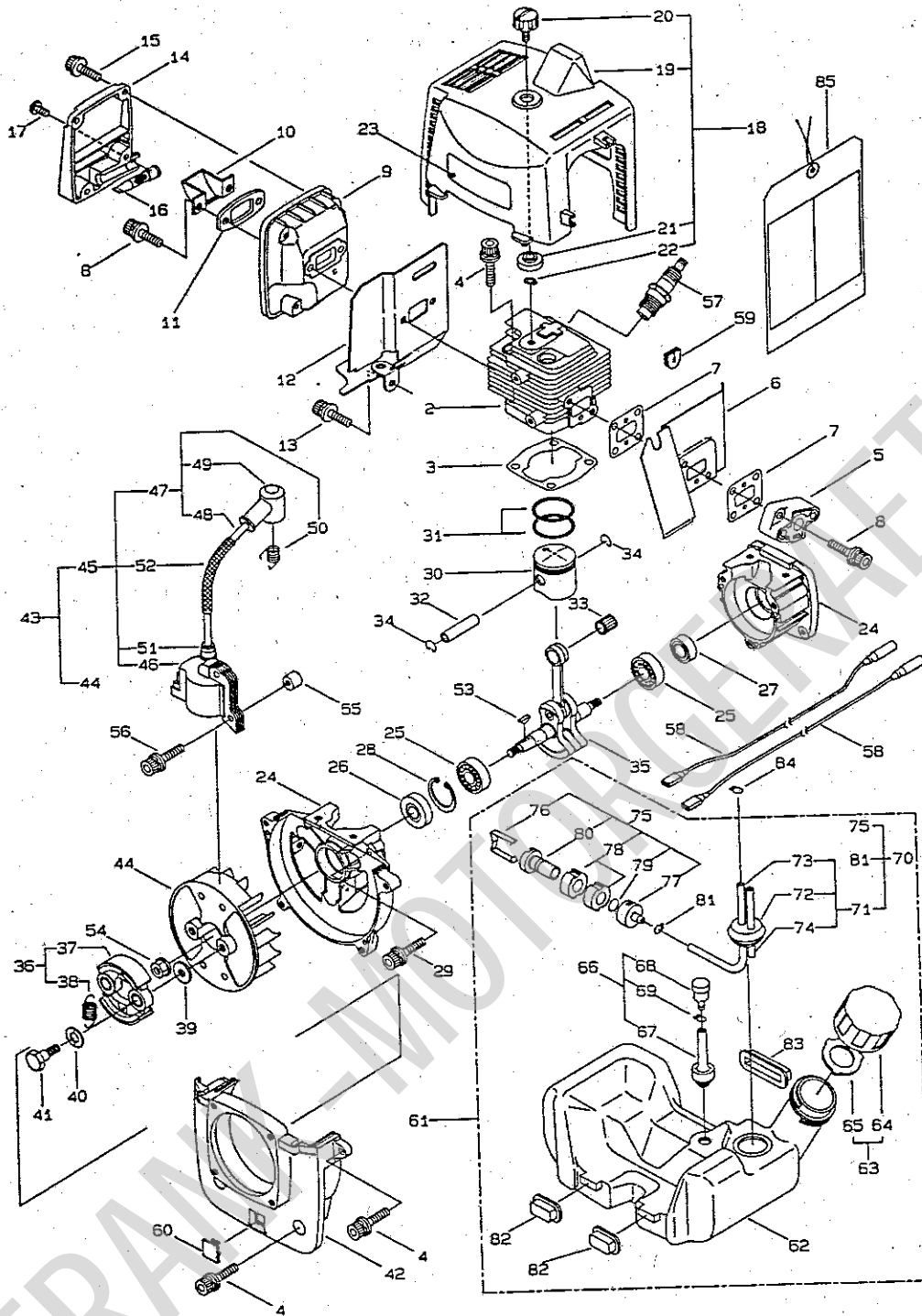
*Maruyama — Manufacturing quality agricultural sprayers and equipment since 1895.*

# 1-MC260 DRIVESHAFT ASSEMBLY



Ref.No	Parts No	Parts Name	Q'ty	Remarks
1- 1	347061	MC260 Ass'y	1	
1- 2	215583	Clutch Case Ass'y	1	Includes 3~12
1- 3	215606	•Bearing Case	1	
1- 4	214161	•Bearing	2	#6000ZZ
1- 5	054676	•Snap Ring	1	H26
1- 6	214162	•Buffer	1	
1- 7	214163	•Washer	1	
1- 8	261250	•Cap Screw	4	M5×20
1- 9	215653	•Driveshaft Tube Adapter	1	
1-10	261856	•Clutch Drum	1	
1-11	014210	•Snap Ring	1	S10
1-12	092033	•Screw	4	M5×15
1-13	261246	Cap Screw	1	M5×25
1-14	216078	Driveshaft Tube	1	
1-15	216750	Driveshaft	1	
1-16	215532	Shaft Grip	1	
1-17	213445	Lead Wires, Stop-Switch	1	
1-18	215996	Throttle Trigger	1	
1-19	213444	Throttle Cable	1	
1-20	215933	Hanging Bracket Ass'y	1	Includes 21
1-21	261762	•Cap Screw	1	M5×14
1-22	210781	Hanging Strap Ass'y	1	
1-23	216764	Label	1	MC260
1-24	215601	Loop Handle Ass'y	1	Includes 25~28
1-25	214982	•Loop Handle	1	
1-26	213171	•Packing	1	
1-27	215608	•Cap Screw	4	M5×30
1-28	089846	•Nut	4	M5
1-29	213548	Plastic Tube	1	
1-30	216080	Shaft Coupler	1	
1-31	089885	Nut	1	M6
1-32	089846	Nut	1	M5
1-33	215351	Cap Screw	1	M5×25
1-34	216751	Clamping Knob	1	
1-35	019056	Washer	1	
1-36	216079	Stopper	1	
1-37	214083	Outer Guide	1	

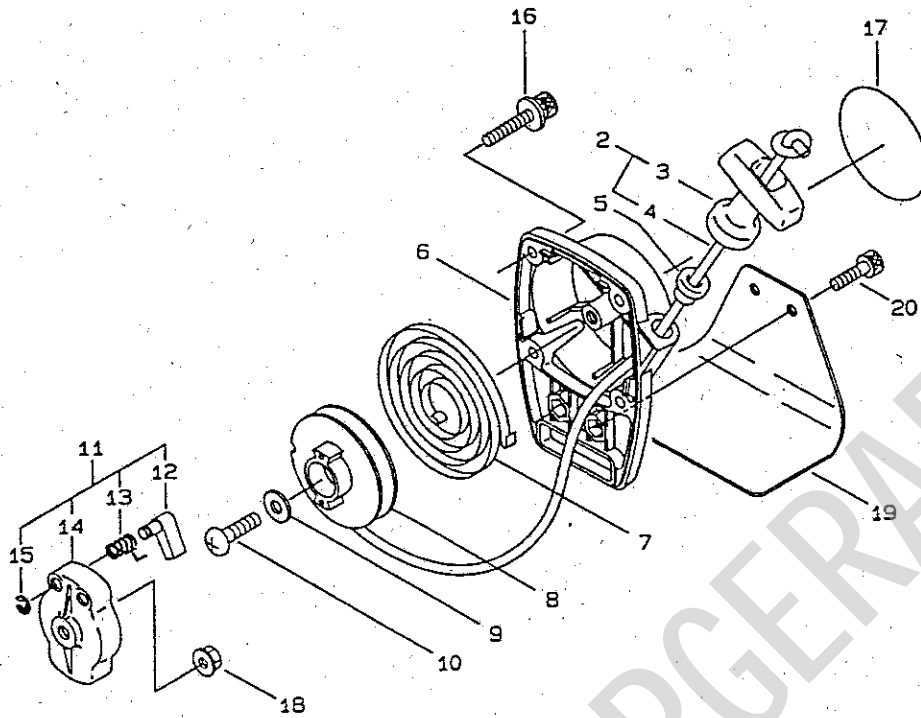
2-MC260 ENGINE



Ref. No	Parts No	Parts Name	Q'ty	Remarks
2- 1	262411	Engine Ass'y-Complete	1	AE260/24
2- 2	261472	Cylinder	1	New gasket required
2- 3	261474	Gasket	1	
2- 4	261250	Cap Screw	8	M5×20
2- 5	261938	Insulator	1	New gasket required
2- 6	261476	Air Duct	1	
2- 7	261171	Gasket	2	
2- 8	261246	Cap Screw	4	M5×25
2- 9	262393	Muffler Body	1	New muffler cover required
2-10	261368	Deflector	1	
2-11	261986	Deflector Plate	1	
2-12	261478	Gasket	1	
2-13	261607	Cap Screw	1	M5×16
2-14	262394	Muffler Cover	1	New muffler body required
2-15	261250	Cap Screw	4	M5×20
2-16	262395	Spark Arrestor	1	
2-17	089530	Screw, Spark Arrestor	1	M3×10
2-18	261483	Top Cover Ass'y	1	Includes 19~22 (No Label)
2-19	261484	•Top Cover	1	New label required
2-20	261018	•Knob	1	
2-21	261020	•Spacer	1	
2-22	261734	•Snap Ring	1	
2-23	262100	Label	1	MARUYAMA
2-24	261486	Crankcase	1	
2-25	261491	Bearing	2	6001C3
2-26	262198	Oil Seal	1	ISCD12287
2-27	262197	Oil Seal	1	ISCD12227
2-28	055185	Snap Ring	1	H28
2-29	261612	Cap Screw	3	M5×30
2-30	261494	Piston	1	
2-31	261496	Piston Ring	2	(2)Required
2-32	261497	Piston Pin	1	
2-33	261037	Needle Bearing	1	KBK8×11×11.8×1
2-34	261576	Clip, Piston Pin	2	
2-35	261499	Crankshaft/Conn. Rod Ass'y	1	
2-36	261405	Clutch Ass'y	1	Includes 37,38
2-37	261406	•Clutch Shoe	2	(2)Required
2-38	262203	•Spring, Clutch	1	
2-39	261189	Washer	2	φ6×φ16.5×t1.2
2-40	261777	Wave Washer	2	
2-41	261056	Clutch Bolt	2	M6
2-42	261251	Fan Cover	1	
2-43	261357	Magneto Ass'y	1	Includes 44~52
2-44	261356	•Rotor/Fan	1	
2-45	261069	•Ignition Coil Ass'y	1	Includes 46~52
2-46	261070	••Coil	1	
2-47	261744	••Spark Plug Wire Ass'y	1	Includes 48~50
2-48	261071	••Spark Plug Wire	1	
2-49	261074	••Plug Boot	1	
2-50	261075	••Connector	1	
2-51	261072	••Cap	1	
2-52	261073	••Insulator	1	φ6×φ6.8×80L

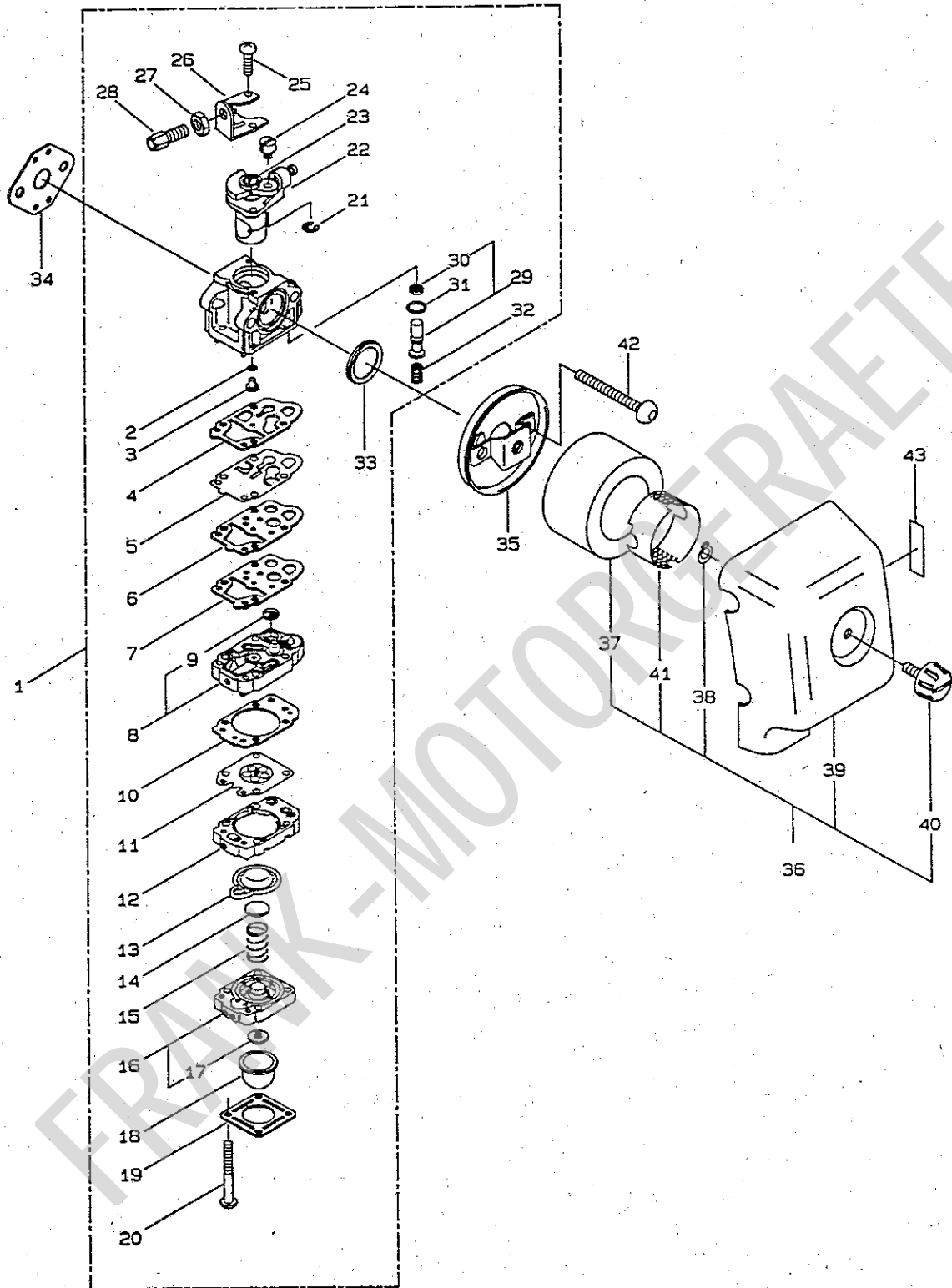
Ref.No.	Parts No.	Parts Name	Q'ty	Remarks
2-53	261076	Woodruff Key	1	
2-54	261417	Nut, Rotor	1	M8
2-55	261078	Spacer	2	
2-56	261256	Cap Screw	2	M4 x 25
2-57	261200	Spark Plug	1	NGK BPM6Y
2-58	261772	Wire, Coil Ground	2	
2-59	261202	Grommet	1	
2-60	261786	Plug	1	
2-61	261962	Fuel Tank Ass'y	1	Includes 62~83
2-62	261963	•Fuel Tank	1	
2-63	261584	•Fuel Tank Cap Ass'y	1	Includes 64,65
2-64	261578	••Fuel Tank Cap	1	
2-65	261105	••Gasket	1	
2-66	261696	•Breather Ass'y	1	Includes 67~69
2-67	261697	••Grommet	1	
2-68	261590	••Breather	1	
2-69	261698	••Clip	1	
2-70	261846	•Fuel Pipe Pick-up Ass'y	1	Includes 71~81
2-71	261688	••Fuel Pipe Ass'y	1	Includes 72~74
2-72	261115	•••Grommet	1	
2-73	261690	•••Fuel Pipe	1	
2-74	261114	•••Return Pipe	1	φ 3 x φ 5 x 60L
2-75	261797	••Fuel Filter Ass'y	1	Includes 76~80
2-76	261798	•••Clip	1	
2-77	261799	•••Body	1	
2-78	261800	•••Filter	2	
2-79	261801	•••Packing	1	
2-80	261802	•••Retainer	1	
2-81	261117	••Clip	1	
2-82	261118	•Pad	2	
2-83	261119	•Pad	1	
2-84	261117	Clip	1	
2-85	262129	Card, Starting Instruction	1	

# 3-MC260 REWIND STARTER ASSEMBLY



Ref.No	Parts No	Parts Name	Q'ty	Remarks
3- 1	262039	Rewind Starter Ass'y	1	Includes 2~10
3- 2	261723	•Rope Ass'y	1	Includes 3,4
3- 3	261725	••Starter Grip	1	
3- 4	261724	••Starter Rope	1	
3- 5	261625	•Rope Guide	1	
3- 6	262040	•Starter Case	1	
3- 7	261721	•Rewind Spring	1	
3- 8	261720	•Pulley	1	
3- 9	261722	•Washer	1	
3-10	261624	•Screw	1	M5×12
3-11	261421	Starter Pawl Ass'y	1	Includes 12~15
3-12	261727	•Pawl	1	
3-13	261728	•Return Spring	1	
3-14	261726	•Pawl Case	1	
3-15	020299	•E-Ring	1	
3-16	261257	Cap Screw	4	M4×16
3-17	260459	Label	1	
3-18	081039	Nut	1	M8
3-19	262415	Stand	1	
3-20	261607	Cap Screw	2	M5×16

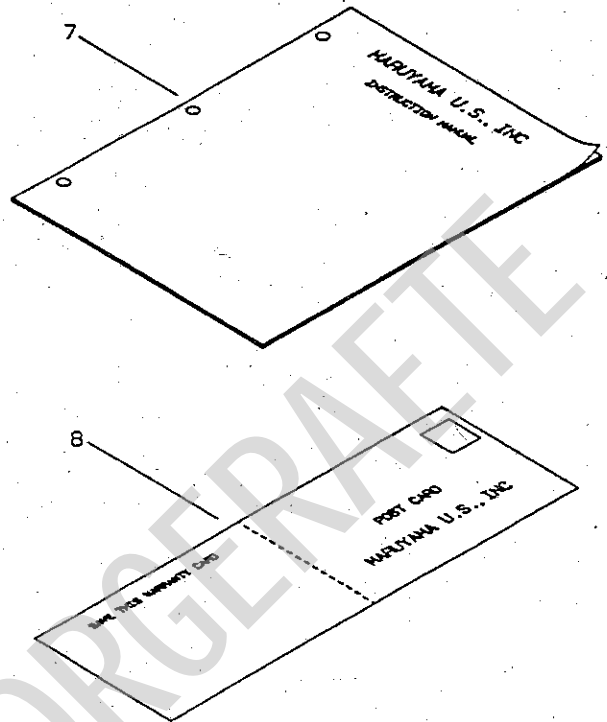
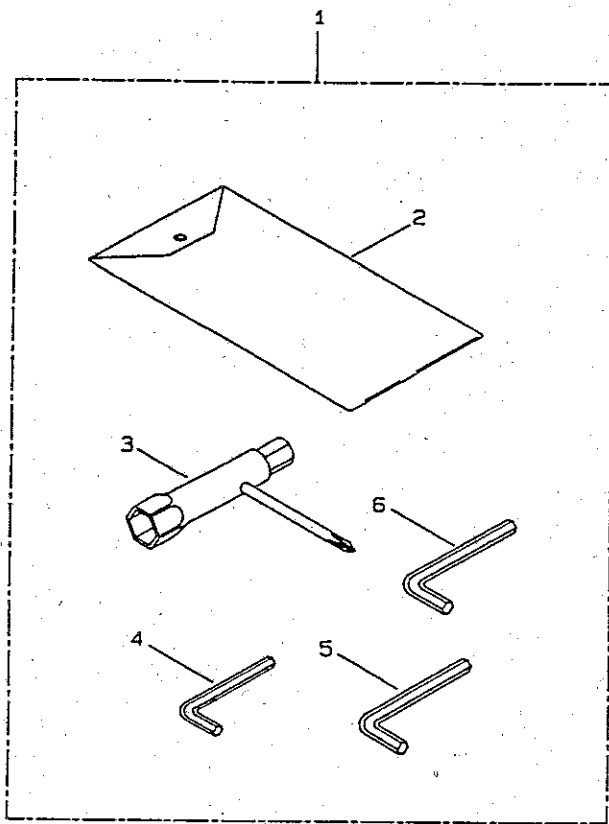
# 4-MC260 CARBURETOR AND AIR FILTER ASSEMBLY





Ref.No	Parts No	Parts Name	Q'ty	Remarks
4- 1	261755	Carburetor Ass'y	1	Includes 2~33
4- 2	262121	•O-Ring	1	
4- 3	261871	•Main Jet	1	#41
4- 4	261637	•Gasket	1	
4- 5	261638	•Diaphragm, Fuel Pump	1	
4- 6	261639	•Plate	1	
4- 7	261640	•Gasket	1	
4- 8	261641	•Pump Body	1	Includes 9
4- 9	261872	••Inlet Screen	1	
4-10	261642	•Gasket	1	
4-11	261873	•Diaphragm, Metering	1	
4-12	261643	•Diaphragm Body	1	
4-13	261644	•Diaphragm, Primer	1	
4-14	261650	•Retainer	1	
4-15	261649	•Spring	1	
4-16	261645	•Purge Body	1	Includes 17
4-17	261646	••Valve	1	
4-18	261874	•Primer Bulb	1	
4-19	261647	•Cover Plate	1	
4-20	261648	•Screw	4	
4-21	261876	•E-Ring	1	
4-22	261651	•Throttle Valve Ass'y	1	
4-23	261652	•Plug	1	
4-24	261658	•Swivel	1	
4-25	261875	•Screw	2	
4-26	261659	•Bracket	1	
4-27	261878	•Nut	4	
4-28	261877	•Adapter	4	
4-29	261653	•Injection Button	1	Includes 30
4-30	261654	••Packing	1	
4-31	261655	•O-Ring	1	
4-32	261656	•Spring	1	
4-33	261657	•Packing	1	
4-34	261864	Gasket	1	
4-35	261090	Air Filter Plate	1	
4-36	262447	Air Filter Ass'y	1	Includes 37~41
4-37	261598	••Foam Element	1	
4-38	261734	••Snap Ring	1	
4-39	261913	••Air Filter Cover	1	
4-40	261018	••Knob	1	
4-41	261993	••Screen	1	
4-42	261814	Cap Screw	2	M5×20
4-43	261803	Label	1	

5 · MC260 · ACCESSORIES

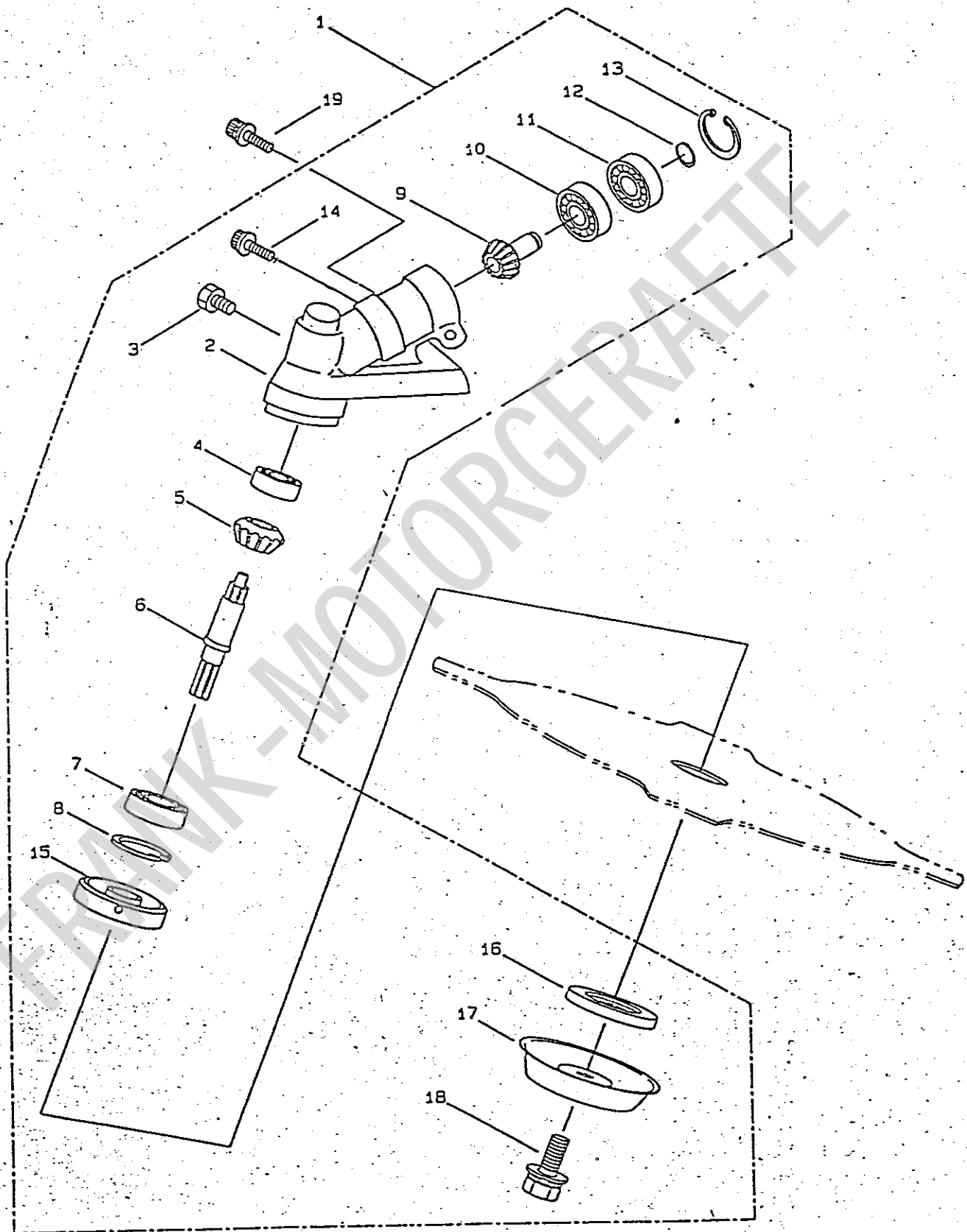


FRANK-MOTORGERÄTE

Ref.No	Parts No.	Parts Name	Q'ty	Remarks
5- 1	216760	Tool Kit	1	Includes 2~6
5- 2	054753	•Tool Bag	1	
5- 3	210418	•Box Spanner	1	
5- 4	062047	•Wrench	1	
5- 5	105489	•Wrench	1	
5- 6	088287	•Wrench	1	
5- 7	216083	Instruction Manual	1	MC260
5- 8	216007	Warranty Card	1	

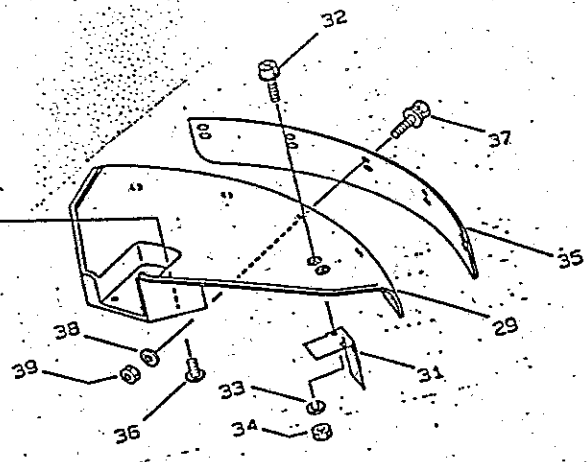
FRANK-MOTORGERAETE

4-GEAR CASE (BC200, BC260H, BC320H) MC260  
BC230



Ref. No	Part No.	Part Name	Q'ty	Remarks
4- 1	219076	Gearcase Ass'y	1	Incl. 2~18
4- 2	219077	Gearcase	1	
4- 3	089845	Bolt	1	M8x10
4- 4	210554	Bearing	1	#608
4- 5	210555	Gear	1	
4- 6	215762	Blade Shaft	1	
4- 7	212999	Bearing	1	#6001 2RK
4- 8	055185	Snap Ring	1	H28
4- 9	215544	Pinion Gear	1	
4-10	210560	Bearing	1	#609
4-11	140268	Bearing	1	#609Z
4-12	140269	Snap Ring	1	WR9
4-13	140270	Snap Ring	1	H24
4-14	261246	Cap Screw	1	M5x25
4-15	212986	Boss Adapter	1	
4-16	140275	Clamping Washer	1	
4-17	215547	Stabilizer	1	
4-18	215610	Bolt	1	M8x22, Counterclockwise
4-19	215993	Cap Screw	1	M5x10

Zsb 219076

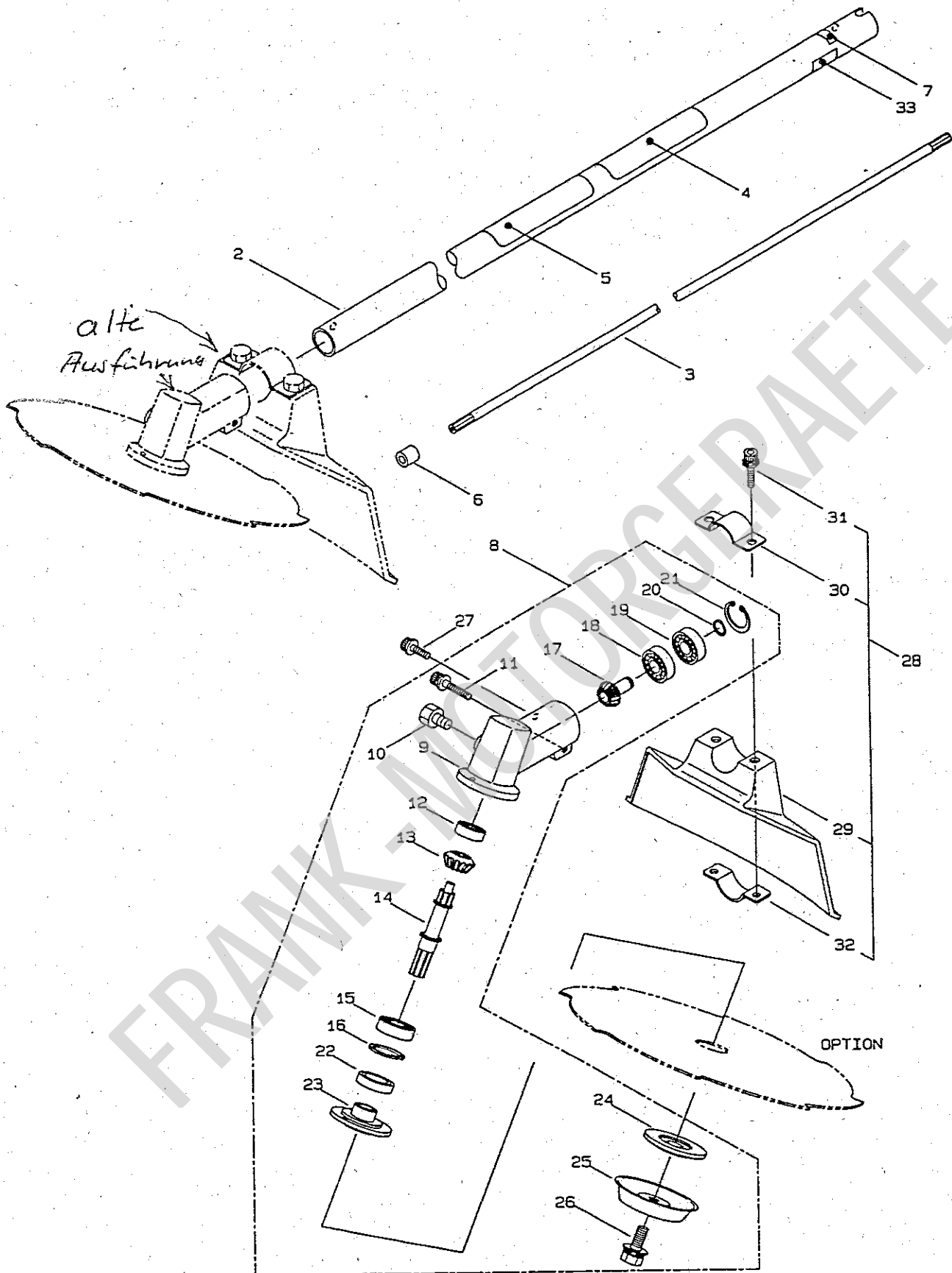


Neue Ausführung

3-29	219129	Safety Cover	1	
3-30	215390	String Cutter Ass'y	1	Incl. 31~34
3-31	215392	String Cutter	1	
3-32	092560	Bolt	2	M5X25
3-33	012501	Spring Washer	2	M5
3-34	081027	Nut	2	M5
3-35	219130	Cover	1	
3-36	816024	Screw	4	M5x12
3-37	092548	Bolt	5	M5X15
3-38	022905	Washer	5	M5
3-39	081027	Nut	5	M5
3-40	219113	Cap Screw	4	M6x20
3-41	219161	Wire Guide	2	

FRANK-MOTORGERÄTE

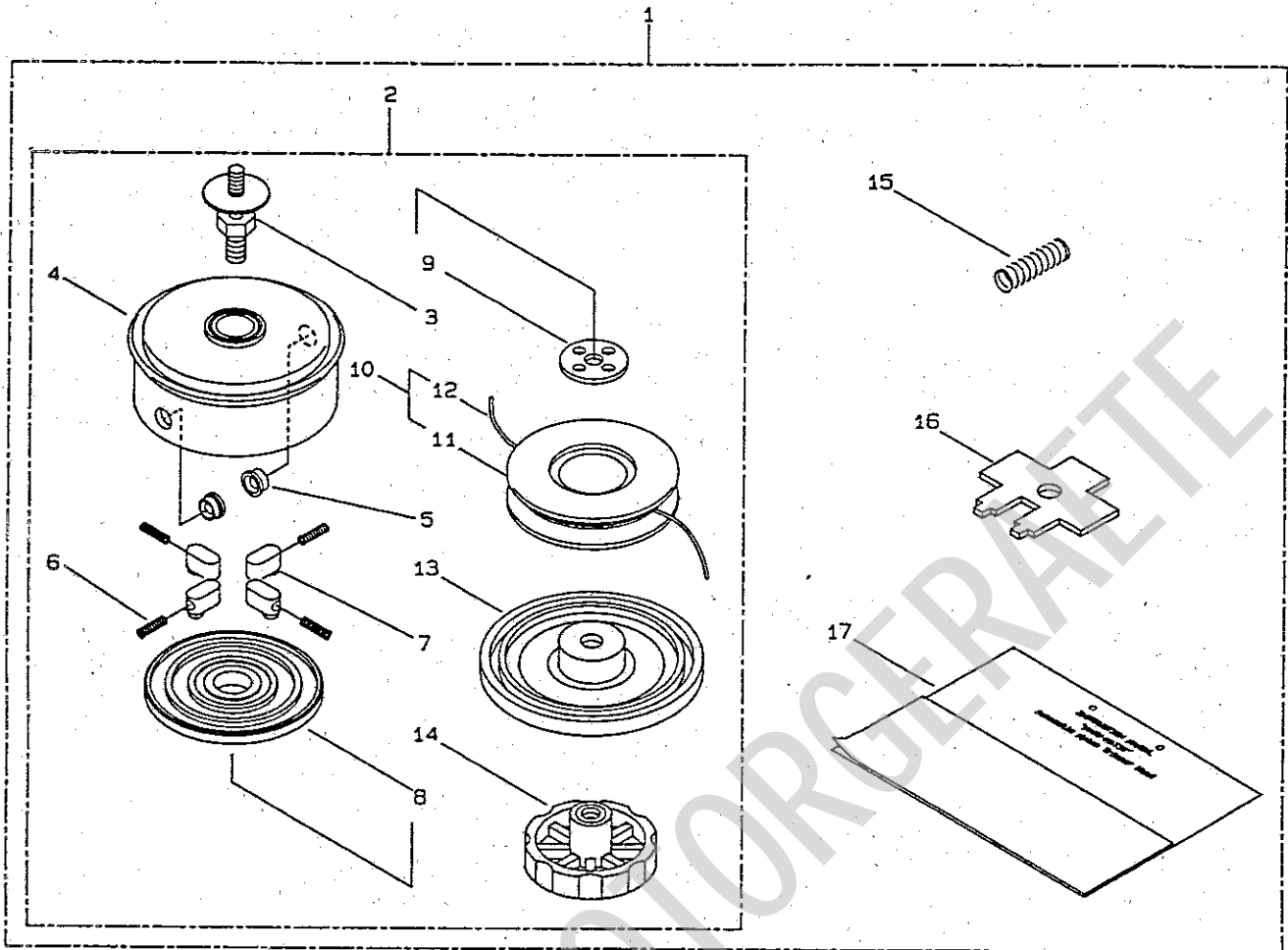
# 6·MC260S DRIVESHAFT AND GSARCASE ASSEMBLY



Ref.No	Parts No.	Parts Name	Q'ty	Remarks
6- 1	347058	MC260S Driveshaft Ass'y	1	
6- 2	216089	Driveshaft Tube	1	
6- 3	216090	Driveshaft	1	
6- 4	215534	Label	1	
6- 5	215535	Label	1	
6- 6	216079	Stopper	1	
6- 7	215501	Label	1	
6- 8	215936	Gearcase Ass'y	1	Includes 9~26
6- 9	215937	•Gearcase	1	
6-10	089845	•Grease Plug	1	M8×10
6-11	261246	•Cap Screw, Clamping	1	M5×25
6-12	210554	•Bearing	1	#608
6-13	210555	•Gear	1	
6-14	210556	•Blade Shaft	1	
6-15	019585	•Bearing	1	#6001
6-16	055185	•Snap Ring	1	H28
6-17	215799	•Pinion Gear	1	
6-18	210560	•Bearing	1	#609
6-19	140268	•Bearing	1	#609Z
6-20	140269	•Snap Ring	1	S9
6-21	140270	•Snap Ring	1	H24
6-22	215641	•Oil Seal	1	D18286
6-23	215640	•Boss Adapter	1	
6-24	215546	•Clamping Washer	1	
6-25	215547	•Stabilizer	1	
6-26	215610	•Bolt (L.H.Thread)	1	M8×22
6-27	261762	Cap Screw, Alignment	1	M5×14
6-28	215941	Blade Guard Ass'y	1	Includes 29~32
6-29	213843	•Blade Guard	1	
6-30	215943	•Bracket	1	
6-31	261246	•Cap Screw	2	M5×25
6-32	212994	•Threaded Bracket	1	
6-33	213915	Label	1	

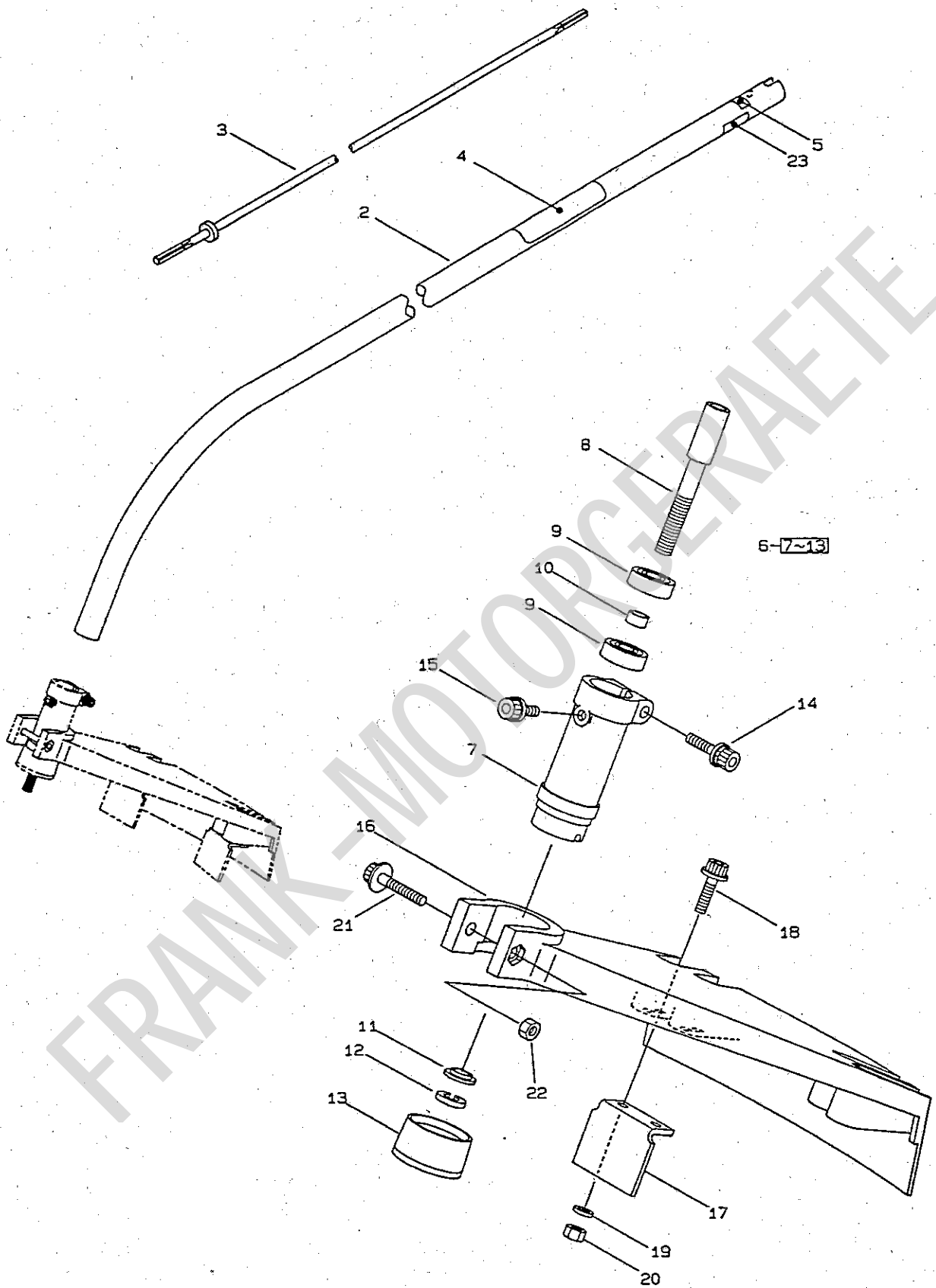


# 7-MC260S ACCESSORIES



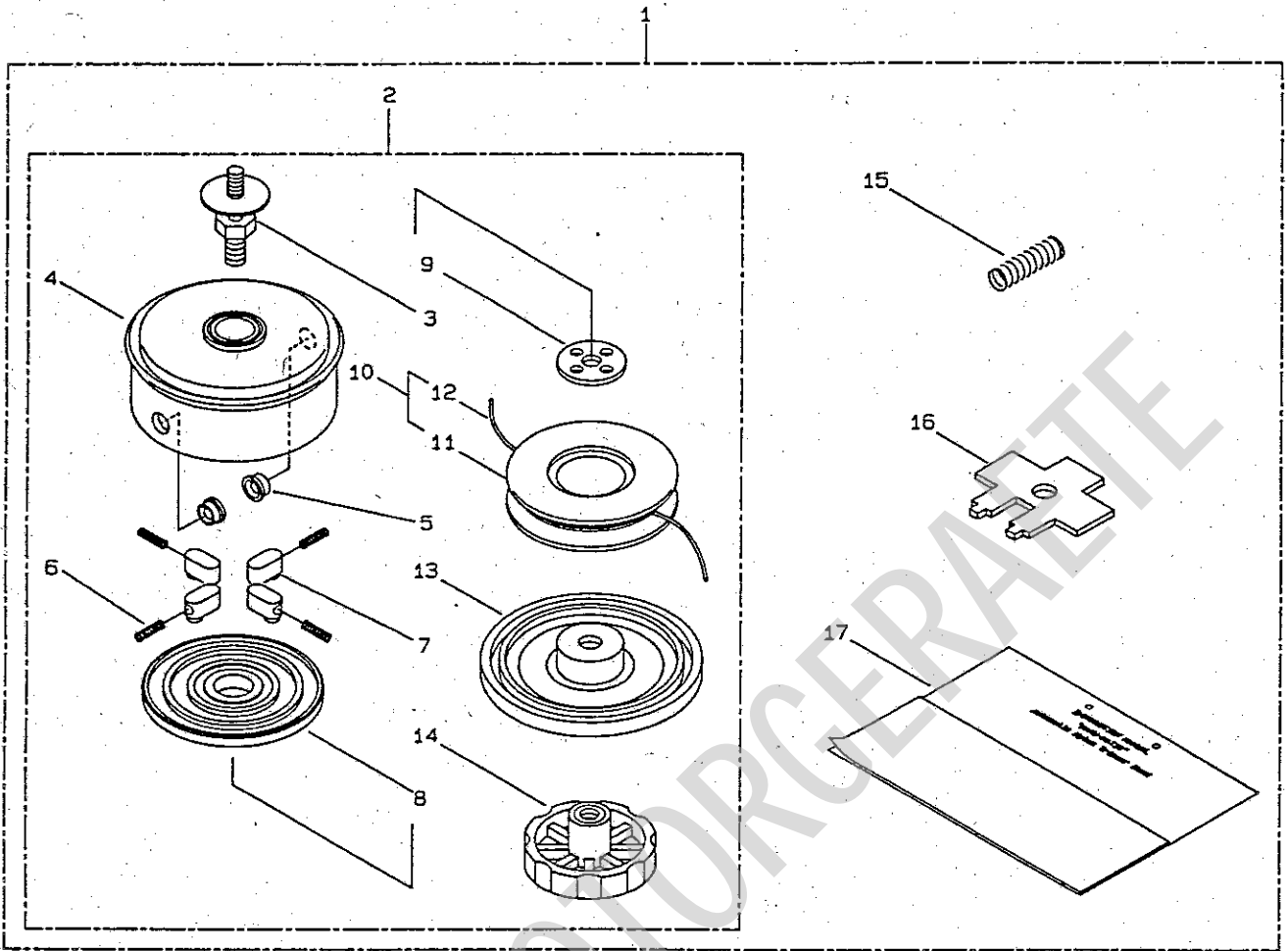
Ref.No	Parts No	Parts Name	Q'ty	Remarks
7- 1	262288	MARU-MATIC Trimmer Head Ass'y, L.H. Kit	1	Includes 2~17
7- 2	262310	•MARU-MATIC Trimmer Head Ass'y, L.H.	1	Includes 3~14
7- 3	262311	••Adapter, L.H.	1	
7- 4	262312	••Spool Housing	1	
7- 5	262313	••Eyelet	2	
7- 6	262314	••Cam Spring	4	Red (Standard)
7- 7	262315	••Slide Cam	4	
7- 8	262316	••Cam Disk	1	
7- 9	262317	••Flat Nut, L.H.	1	
7-10	262318	••Spool Ass'y, L.H.	1	Includes 11,12
7-11	262319	•••Spool	1	
7-12	262320	•••Cutting Line	1	
7-13	262321	••Cover	1	
7-14	262322	••Knob, L.H.	1	
7-15	262329	•Cam Spring	4	Silver (Optional)
7-16	262323	•Fastening Tool	1	
7-17	262324	•Instruction Manual	1	

# 8-MC260C DRIVESHAFT AND BEARING HEAD ASSEMBLY



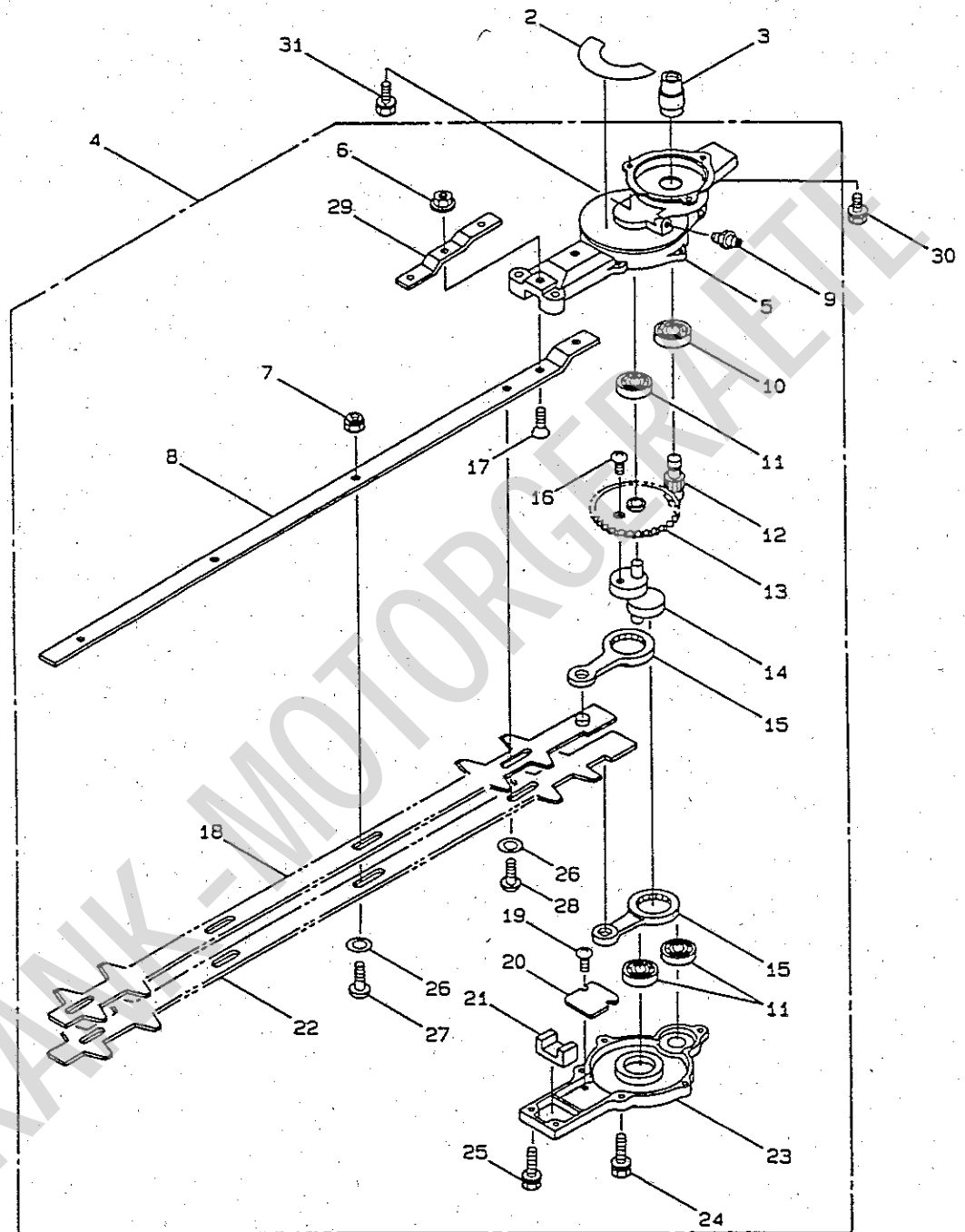
Ref.No	Parts No	Parts Name	Q'ty	Remarks
8- 1	347060	MC260C Driveshaft Ass'y	1	
8- 2	216132	Driveshaft Tube	1	
8- 3	216753	Shaft, Flexible	1	
8- 4	215534	Label	1	
8- 5	215501	Label	1	
8- 6	215986	Bearing Head Ass'y	1	Includes 7~13
8- 7	215987	•Case, Bearing	1	
8- 8	215988	•Attaching Shaft	1	
8- 9	215989	•Bearing	2	#608DD
8-10	215990	•Spacer	1	
8-11	215991	•Washer	1	
8-12	015845	•Spring Washer	1	M8
8-13	215992	•Attaching Shaft Adapter	1	
8-14	261246	Cap Screw, Clamping	1	M5×25
8-15	215993	Cap Screw, Alignment	1	M5×10
8-16	215999	Guard	1	
8-17	216000	String Cutter	1	
8-18	216001	Cap Screw	2	M5×16
8-19	012501	Spring Washer	2	M5
8-20	089846	Nut	2	M5
8-21	216863	Screw, Clamping	1	M6×40
8-22	089885	Nut	1	M6
8-23	213915	Label	1	

# 9-MC260C ACCESSORIES



Ref.No	Parts No	Parts Name	Q'ty	Remarks
9- 1	262287	MARU-MATIC Trimmer Head Ass'y, R.H. Kit	1	Includes 2~17
9- 2	262327	•MARU-MATIC Trimmer Head Ass'y, R.H.	1	Includes 3~14
9- 3	262328	••Adapter, R.H.	1	
9- 4	262312	••Spool Housing	1	
9- 5	262313	••Eyelet	1	
9- 6	262329	••Cam Spring	2	
9- 7	262315	••Slide Cam	4	Silver (Optional)
9- 8	262316	••Cam Disk	4	
9- 9	262330	••Flat Nut, R.H.	1	
9-10	262331	••Spool Ass'y, R.H.	1	
9-11	262319	••Spool	1	Includes 11,12
9-12	262320	••Cutting Line	1	
9-13	262321	••Cover	1	
9-14	262332	••Knob, R.H.	1	
9-15	262314	•Cam Spring	1	
9-16	262323	•Fastening Tool	4	Red (Standard)
9-17	262324	•Instruction Manual	1	

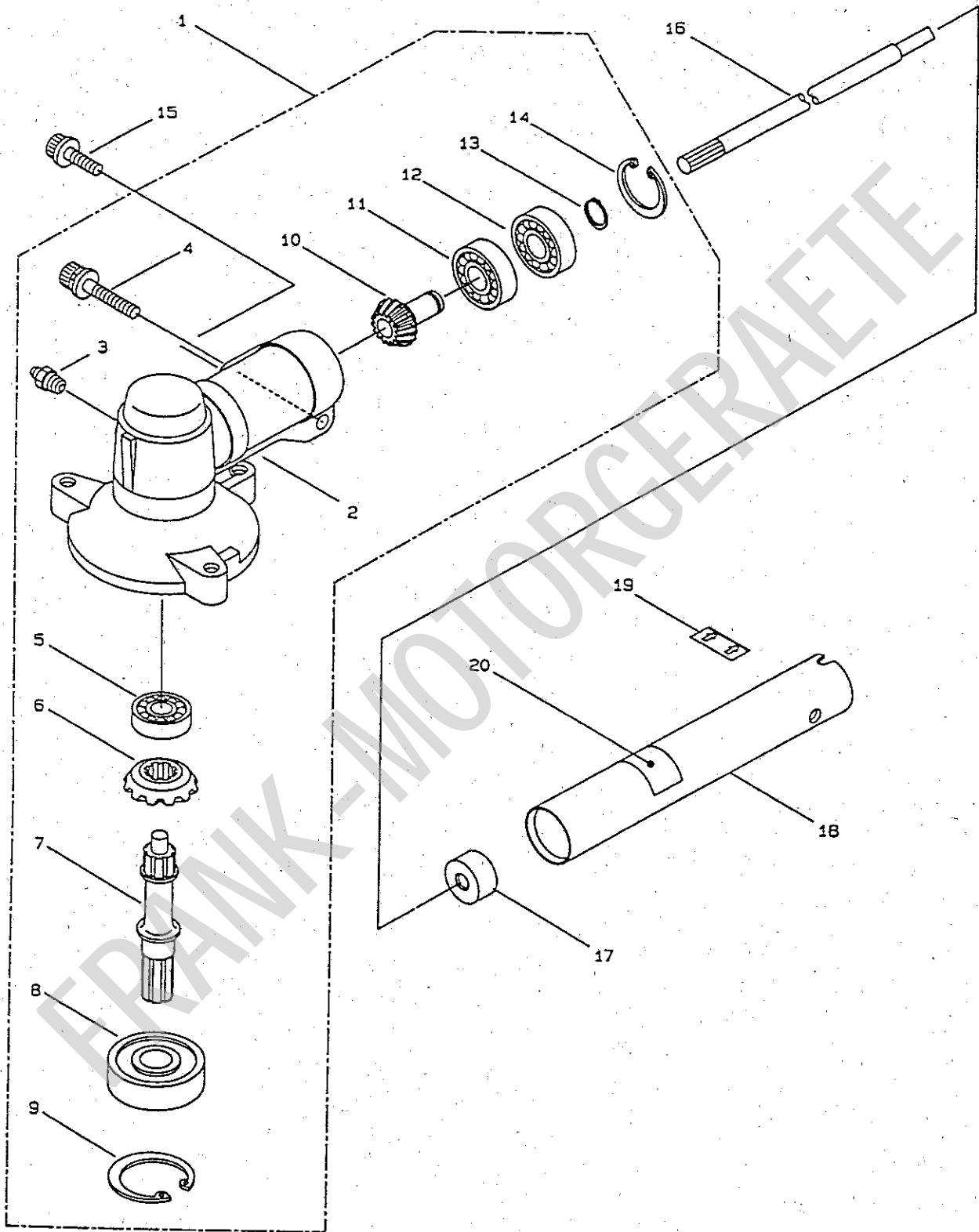
# 1. MC260D BLADES / TRANSMISSION



Ref.No	Parts No	Parts Name	Q'ty	Remarks
1- 1	344791	MC260D-Blades Drive Ass'y.,Complete	1	
1- 2	217880	Label	1	
1- 3	217663	Joint	1	
1- 4	217662	Blade/Transmission Ass'y.(24")	1	Includes 5~29
1- 5	997274	•Upper Case	1	
1- 6	997244	•Flange Nut	2	M5
1- 7	991941	•U-Nut	4	M6
1- 8	581912	•Plate Guide	1	
1- 9	991937	•Grease Nipple	1	M6
1-10	580767	•Bearing	1	#6001RS
1-11	580768	•Bearing	3	#608Z
1-12	580769	•Pinion	1	
1-13	580771	•Crank Gear	1	
1-14	580772	•Crank	1	
1-15	997282	•Rod Ass'y	2	
1-16	580770	•Screw	1	M5 × 10
1-17	991931	•Screw	2	M5 × 20
1-18	581913	•Upper Blade	1	
1-19	991924	•Screw	2	M3 × 5
1-20	991919	•Rod Slide Plate	1	
1-21	997286	•Felt	1	
1-22	581914	•Lower Blade	1	
1-23	997288	•Lower Case	1	
1-24	580791	•Bolt (WSW)	5	M5 × 16
1-25	580790	•Bolt (WSW)	2	M5 × 20
1-26	991913	•Washer	4	
1-27	991914	•Screw	3	M6 × 19
1-28	991912	•Screw	1	M6 × 22
1-29	991973	•Reinforcing Plate	1	
1-30	092555	Bolt (+)SW	1	M6 × 30
1-31	092552	Bolt (+)SW	2	M6 × 20

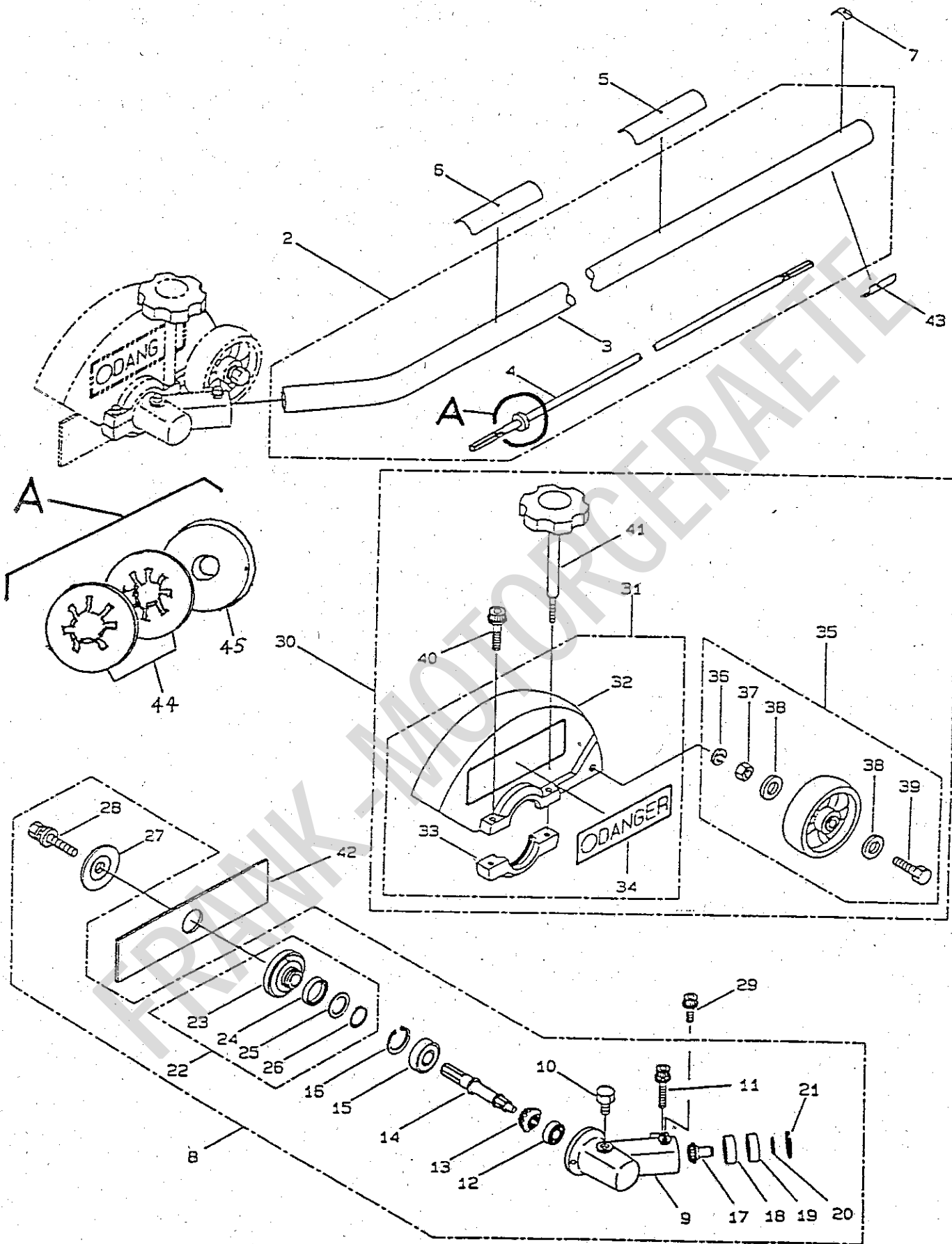


## 2. MC260D ANGLE DRIVE ASSEMBLY



Ref.No	Parts No.	Parts Name	Q'ty	Remarks
2- 1	217655	Angle Drive Ass'y	1	Includes 2~14
2- 2	217656	•Gearcase	1	
2- 3	069553	•Grease Nipple	1	
2- 4	261246	•Cap Screw, Clamping	1	
2- 5	210554	•Bearing	1	
2- 6	217650	•Gear	1	
2- 7	210556	•Blade Shaft	1	
2- 8	217659	•Bearing	1	
2- 9	016732	•Snap Ring	1	
2-10	217660	•Pinion Gear	1	
2-11	210560	•Bearing	1	
2-12	140268	•Bearing	1	
2-13	140269	•Snap Ring	1	
2-14	140270	•Snap Ring	1	
2-15	261762	Cap Screw, Alignment	1	
2-16	217671	Driveshaft	1	
2-17	216079	Stopper	1	
2-18	217669	Driveshaft Tube	1	
2-19	215501	Label	1	
2-20	217879	Label	1	

# 10-MC260E DRIVESHAFT, GEARCASE AND BLADE GUARD ASSEMBLY



# EDGER TOOL ATTACHMENT: MODEL MC260E

Ref.No	Parts No	Parts Name	Q'ty	Remarks
10- 1	347062	MC260E Driveshaft Ass'y	1	
10- 2	216909	Driveshaft Tube Ass'y	1	Includes 3,4
10- 3	216140	•Driveshaft Tube	1	
10- 4	216754	•Driveshaft	1	
10- 5	215534	Label	1	
10- 6	215535	Label	1	
10- 7	215501	Label	1	
10- 8	216053	Gearcase Ass'y	1	Includes 9~28
10- 9	215542	•Gearcase	1	
10-10	089845	•Grease Plug	1	M8×10
10-11	261246	•Cap Screw, Clamping	1	M5×25
10-12	210554	•Bearing	1	#608
10-13	210555	•Gear	1	
10-14	216056	•Blade Shaft	1	
10-15	212999	•Bearing	1	#6001 2RK
10-16	055185	•Snap Ring	1	H28
10-17	216628	•Pinion Gear	1	
10-18	210560	•Bearing	1	#609
10-19	217042	•Bearing	1	#609RS
10-20	140269	•Snap Ring	1	S9
10-21	140270	•Snap Ring	1	H24
10-22	217673	•Boss Adapter Ass'y	1	Includes 23~26
10-23		Use P/N 217673	1	
10-24	217039	••Felt Ring	1	φ 20× φ 28× t5
10-25	217675	••Washer	1	φ 18.5× φ 26× t1
10-26	160787	••Snap Ring	1	S18
10-27	215546	•Clamping Washer	1	
10-28	215610	•Bolt (L.H.Thread)	1	M8×22
10-29	261762	Cap Screw, Alignment	1	M5×14
10-30	216063	Blade Guard Ass'y-Complete	1	Includes 31~41
10-31	217523	•Shield Ass'y	1	Includes 32~34
10-32	216064	••Shield	1	
10-33	216066	••Clamp	1	
10-34	216630	••Label	1	
10-35	216069	•Wheel Ass'y	1	Includes 36~39
10-36	015845	••Spring Washer	1	M8
10-37	081039	••Nut	1	M8
10-38	014065	••Washer	2	M8
10-39	060159	••Bolt	1	M8×55
10-40	261612	•Cap Screw, Clamping	1	M5×30
10-41	217132	•Knob, Clamping (Opt. P/N 216087T)	1	
10-42	216062	Cutting Blade (Opt. P/N 840084)	1	
10-43	213915	Label	1	
10-44	216631	Push Nut	1	
10-45	216059	Stop Washer	2	M6
			1	