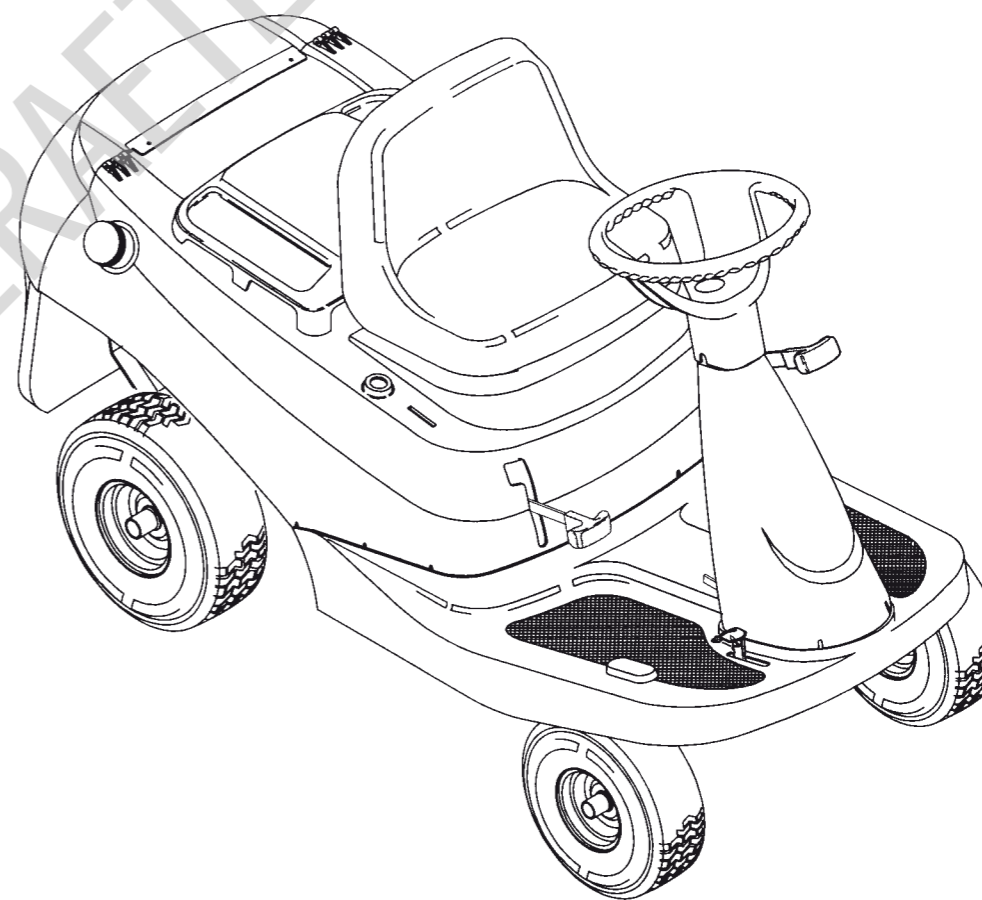


Rider Asso 71



FRANK-MOTORGERÄTE

03/2012

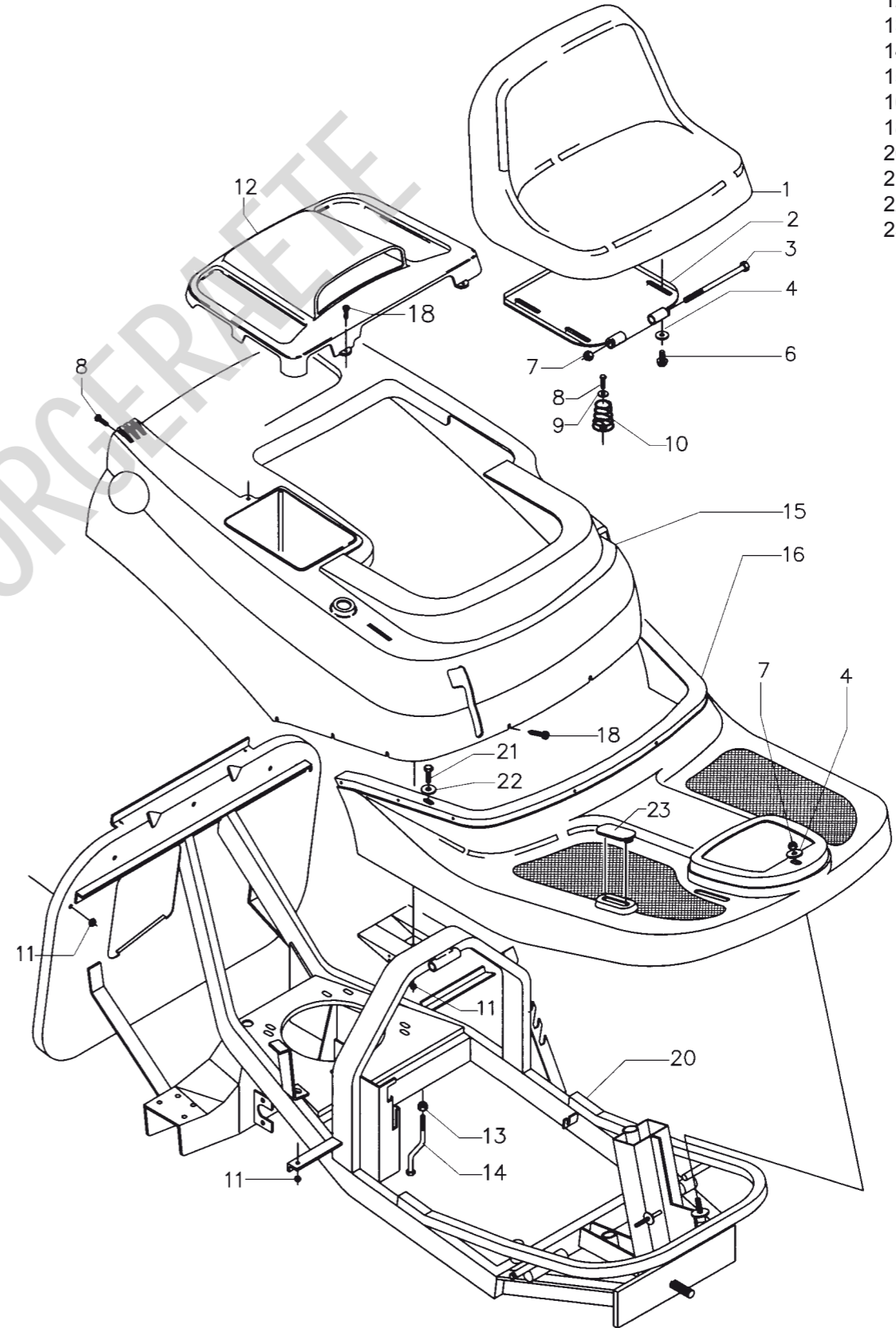
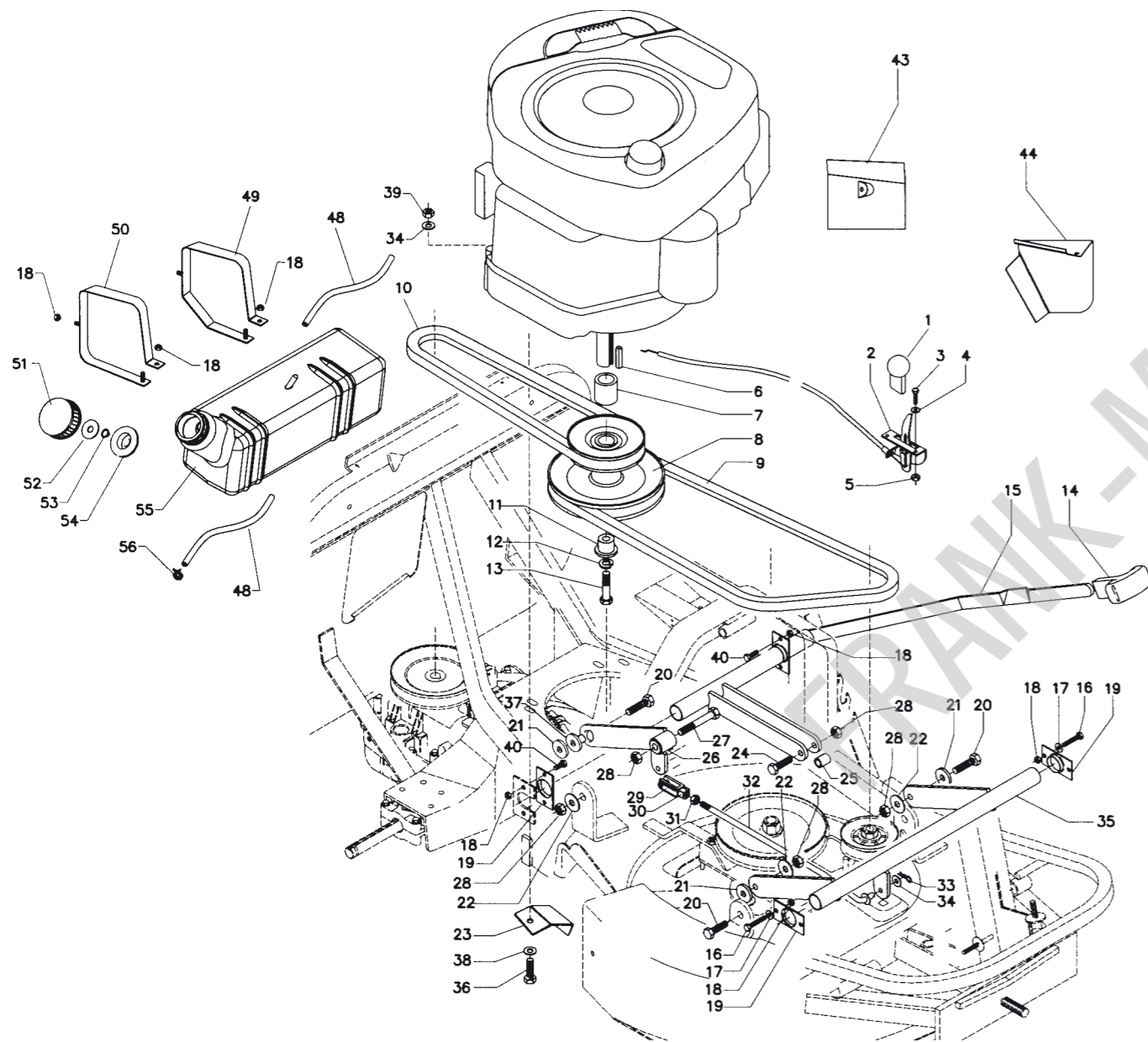
cod. 34.1065.082

Catalogo parti di ricambio
Catalogue pieces détachées
Spare parts list
Ersatzteilliste

FRANK-MOTORGERAETE

1	34.1012.905	18	81.4548.000	35	34.1005.365
2	34.0010.154	19	34.0005.105	36	86.2741.000
3	86.1931.010	20	86.3355.000	37	34.1005.359
4	84.3543.000	21	26.1300.233	38	84.3708.000
5	81.4530.080	22	36.0005.220	39	81.4588.000
6	34.1025.105	23	34.1005.539	40	86.2097.010
7	34.1025.112	24	86.3430.000	43	34.1025.259
8	34.1025.104	25	34.1012.317	44	34.1025.263
9	34.1005.398	26	34.1005.367	48	34.1025.925
10	34.1005.378	27	86.3566.200	49	34.1025.204
11	34.1025.114	28	81.4645.000	50	34.1025.202
12	84.3843.070	29	34.1005.382	51	27.0201.892
13	86.2439.100	30	34.1005.384	52	84.3884.000
14	34.1012.901	31	81.4574.000	53	80.1102.000
15	34.1012.453	32	34.1005.352	54	27.0201.787
16	86.2300.000	33	85.1350.000	55	34.1025.900
17	84.3619.000	34	84.3685.000	56	34.1025.926

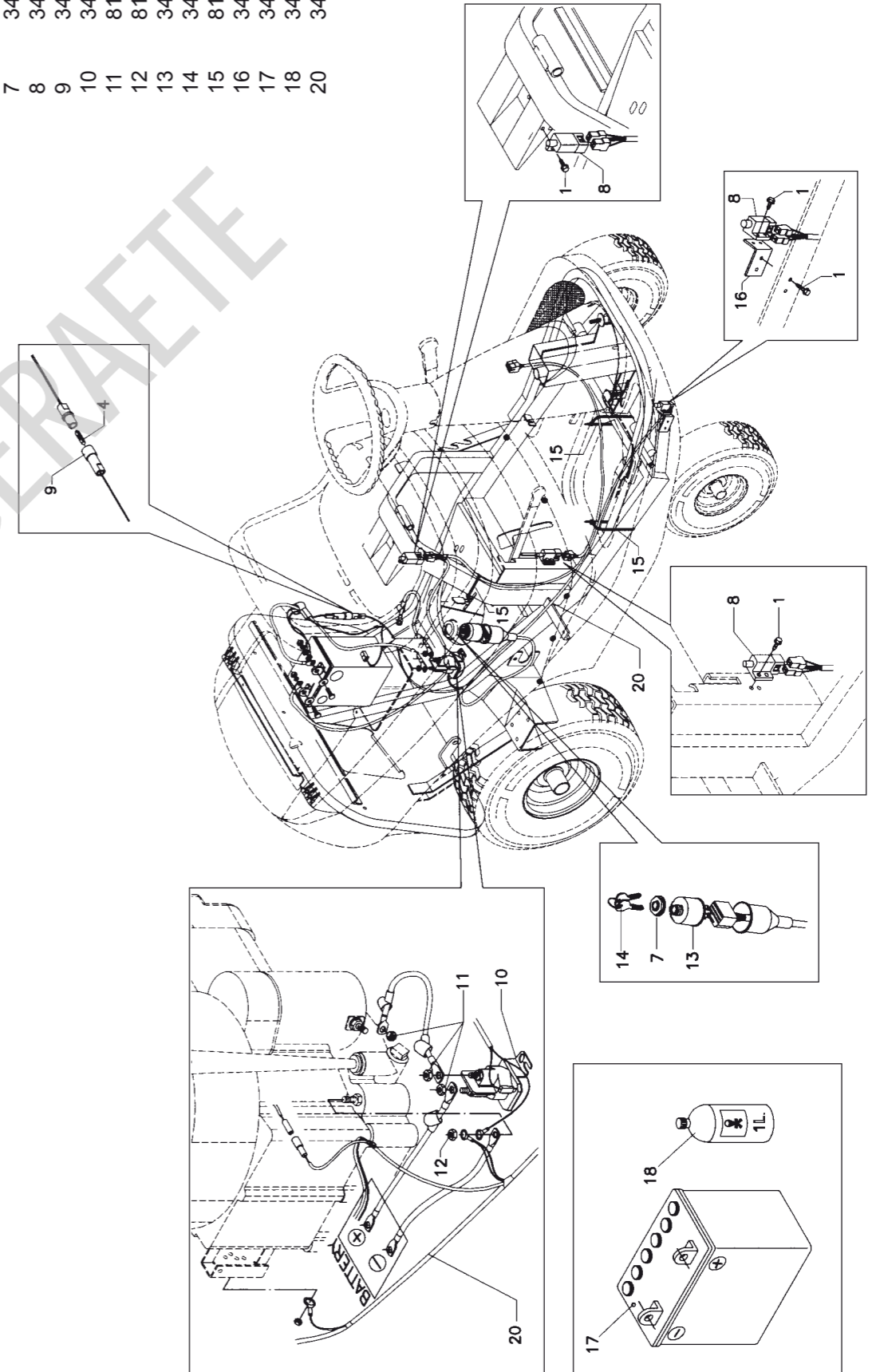
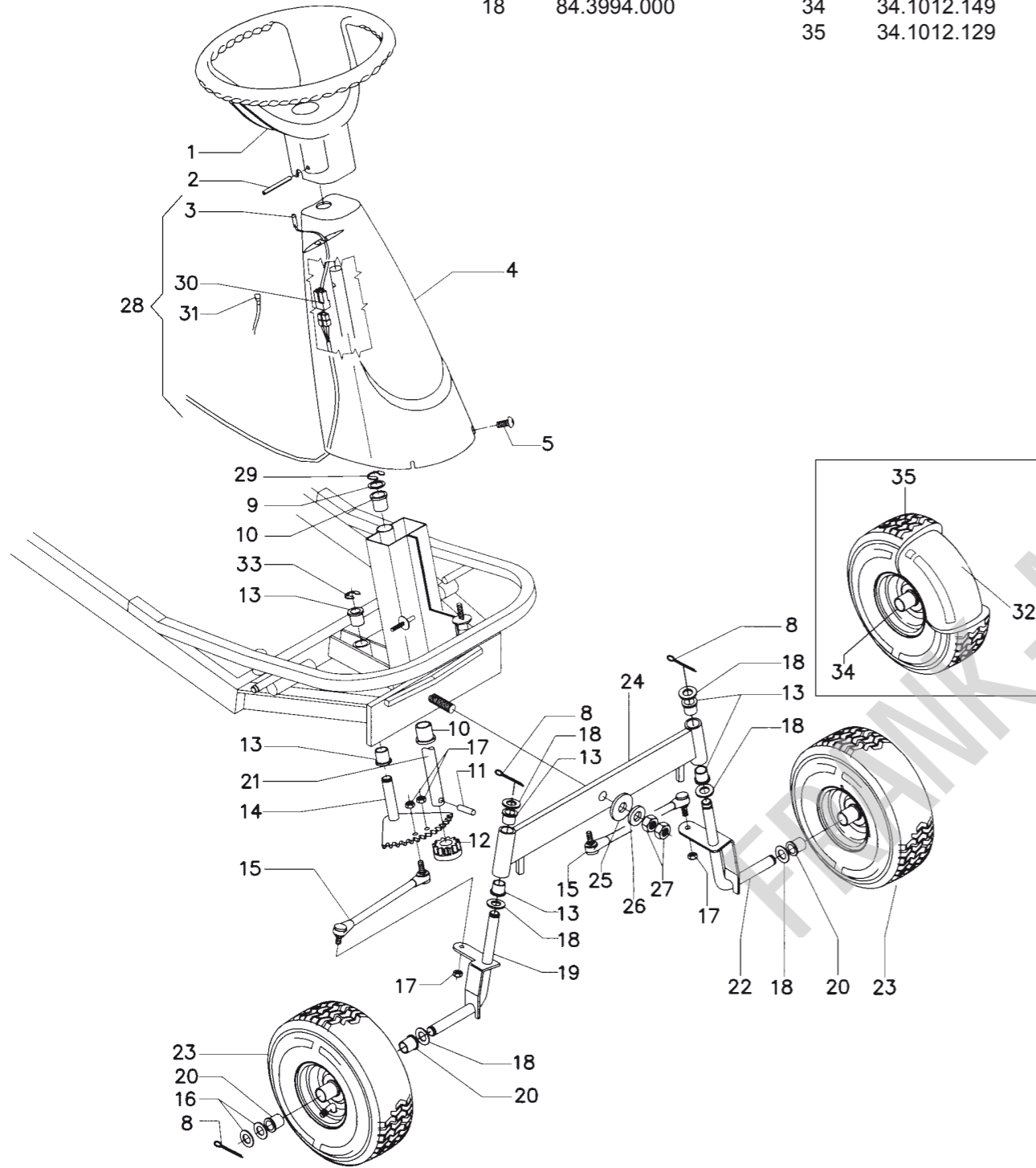
1	34.1005.900
2	34.1005.544
3	86.3085.000
4	84.3708.000
6	86.2494.000
7	81.4588.000
8	86.2097.010
9	84.3619.000
10	34.1005.550
11	81.4548.000
12	34.1005.922
13	81.4574.000
14	34.1005.313
15	34.1005.980
16	34.1005.914
18	86.3988.200
20	34.1005.258
21	86.2160.000
22	84.3622.000
23	34.1005.944



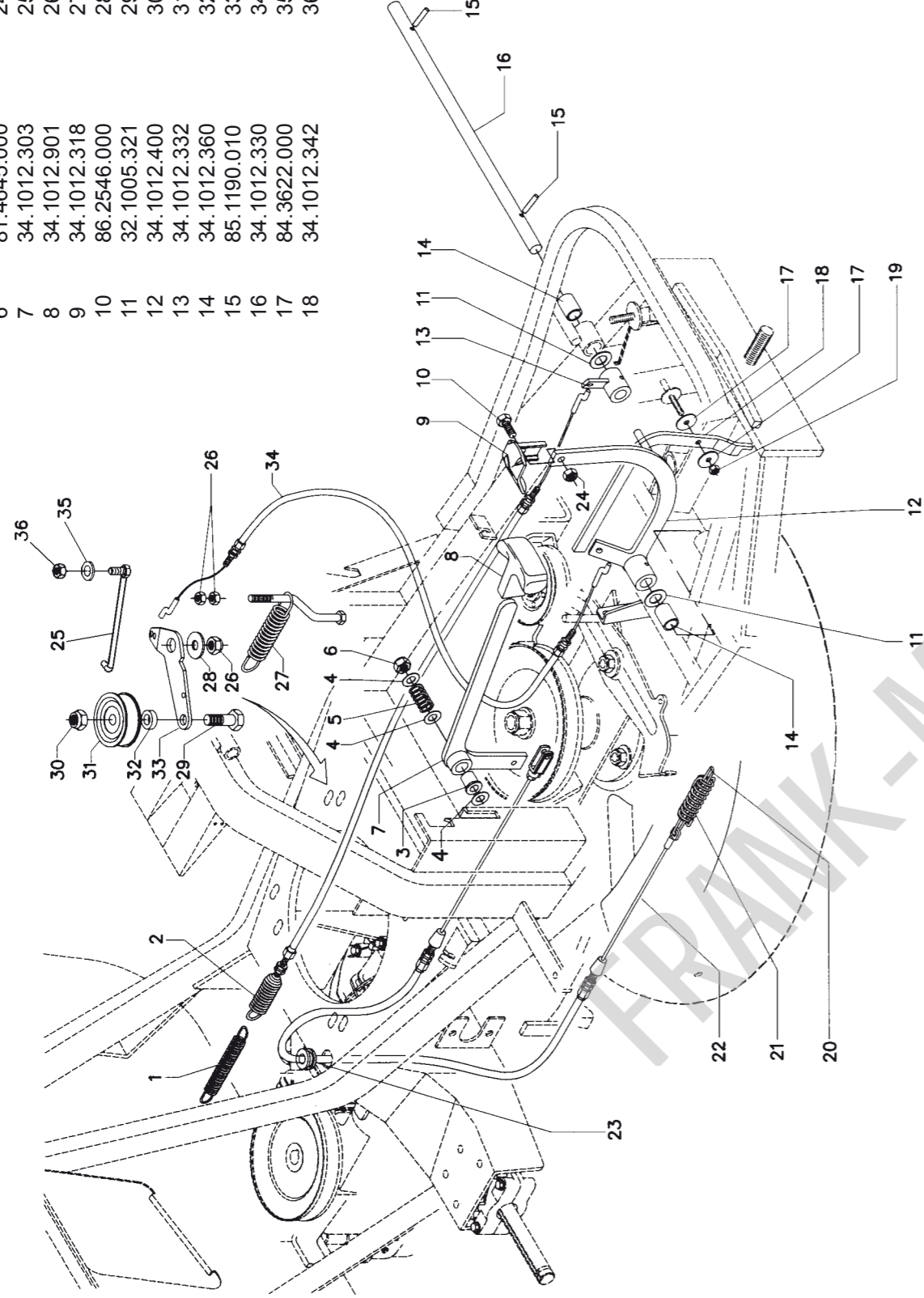
1	34.1012.900	19	34.1012.135
2	85.1380.000	20	34.1012.131
3	34.1025.164	21	34.1012.124
4	34.1005.916	22	34.1012.136
5	86.3988.200	23	34.1012.127
8	85.1700.000	24	34.1012.106
9	27.0011.943	25	84.4084.500
10	34.1012.128	26	84.6000.000
11	85.1264.000	27	81.4787.000
12	34.1012.200	28	34.1025.187
13	34.0005.110	29	80.1042.000
14	34.1012.118	30	34.1025.165
15	34.1012.138	31	34.1025.166
16	27.0013.596	32	34.1012.119
17	81.4588.000	33	80.1040.060
18	84.3994.000	34	34.1012.149
		35	34.1012.129

86.3981.100
34.1025.168
34.1025.162
34.1025.152
34.1025.167
34.1025.159
81.4550.000
81.4574.000
34.1025.160
34.1025.161
81.7642.000
34.1025.154
34.1025.178
34.0025.128
34.1025.187

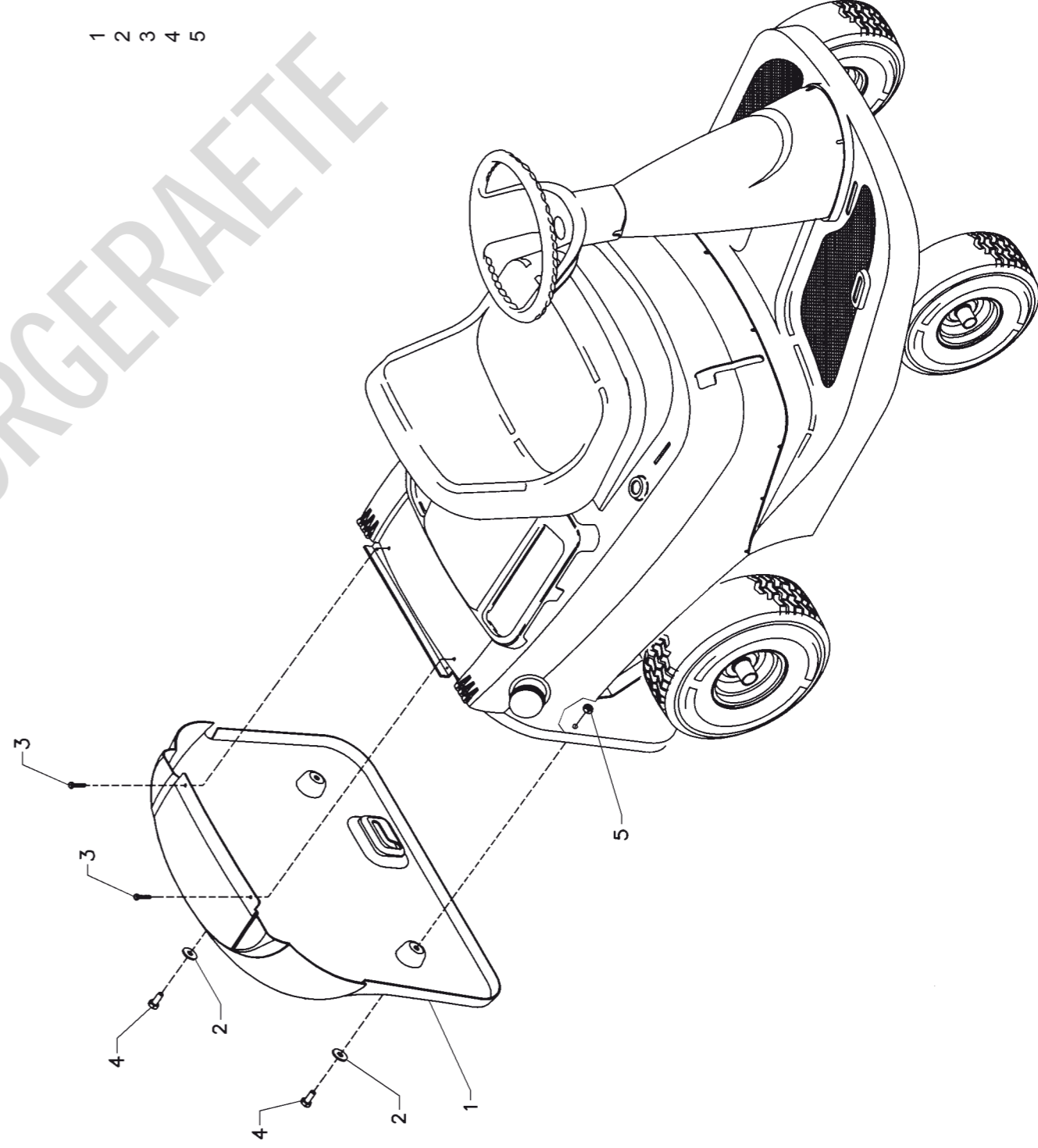
1	4	7	8	9	10	11	12	13	14	15	16	17	18	20
---	---	---	---	---	----	----	----	----	----	----	----	----	----	----



- | | | | |
|----|-------------|----|-------------|
| 1 | 34.1012.341 | 19 | 81.4548.000 |
| 2 | 34.1012.335 | 20 | 34.1012.309 |
| 3 | 34.1012.304 | 21 | 34.1012.307 |
| 4 | 23.1005.289 | 22 | 34.1012.310 |
| 5 | 34.1010.320 | 23 | 22.0010.910 |
| 6 | 81.4645.000 | 24 | 81.4588.000 |
| 7 | 34.1012.303 | 25 | 34.1005.536 |
| 8 | 34.1012.901 | 26 | 81.4574.000 |
| 9 | 34.1012.318 | 27 | 34.1012.415 |
| 10 | 86.2546.000 | 28 | 84.3818.000 |
| 11 | 32.1005.321 | 29 | 86.3750.000 |
| 12 | 34.1012.400 | 30 | 81.4703.000 |
| 13 | 34.1012.332 | 31 | 34.1012.500 |
| 14 | 34.1012.360 | 32 | 36.0005.212 |
| 15 | 85.1190.010 | 33 | 34.1012.407 |
| 16 | 34.1012.330 | 34 | 34.1012.410 |
| 17 | 84.3622.000 | 35 | 84.3708.000 |
| 18 | 34.1012.342 | 36 | 81.4580.000 |



- | | |
|---|-------------|
| 1 | 34.1005.906 |
| 2 | 84.3818.000 |
| 3 | 26.0050.219 |
| 4 | 86.3254.000 |
| 5 | 81.4645.000 |



1	81.4703.000	14	81.2648.000	27	34.0020.120
2	34.0020.111	15	34.1020.352	28	34.1020.136
3	81.4530.080	16	86.2952.000	29	84.6000.300
4	34.1020.370	17	81.4580.000	30	86.2439.000
5	86.1931.010	18	34.1020.060	31	34.1020.930
6	34.1020.363	19	81.4588.000	32	34.1020.920
7	34.1020.366	20	34.1020.353	33	81.4548.000
8	84.3884.000	21	23.0330.209	34	34.1020.501
9	34.1020.369	22	34.1020.350	35	81.4702.000
10	81.4794.000	23	26.0050.202	38	84.3685.000
11	84.3994.000	24	84.3622.000	39	34.1020.365
12	34.0020.109	25	34.1020.349	40	86.3750.000
13	32.1005.217	26	86.2845.000		

