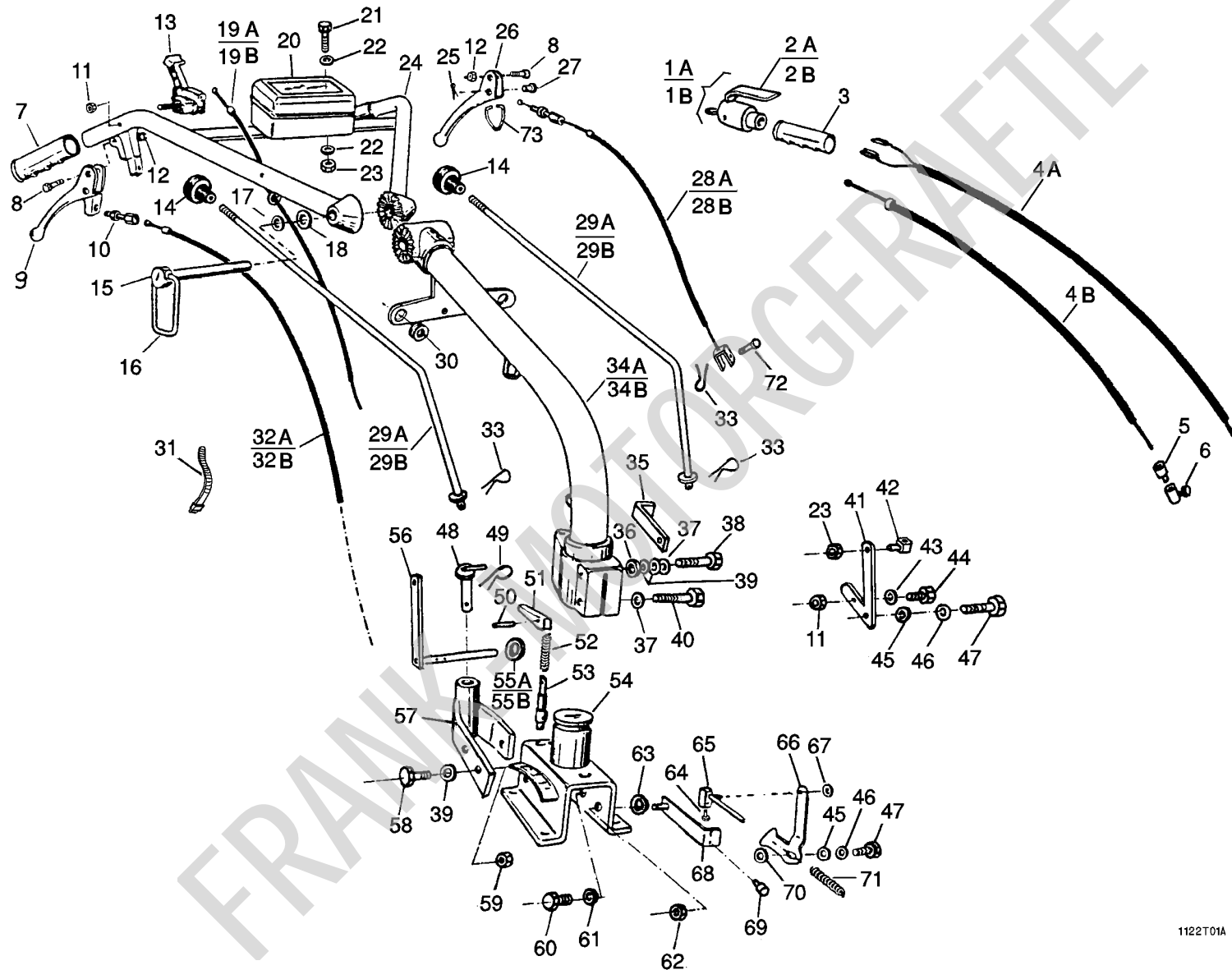


MOD. 1120 - 1122
ELENCO PARTI DI RICAMBIO
SPARE PARTS LIST
LISTE DES PIECES DE RECHANGE
ERSATZTEILLISTE

| | | |
|---------|--|-----------|
| Tab. 1 | STEGOLE DI GUIDA - <i>HANDLEBARS</i> - MANCHERONS - <i>STERZ</i> | Rev. 9310 |
| Tab. 2 | COMANDI (vecchio modello) - <i>DRIVES (old model)</i> - COMMANDES (vieux modèle) - <i>STEUERUNG (altes modell)</i> | Rev. 9310 |
| Tab. 3 | CARTER - <i>CASE</i> - CARTER - <i>GEHÄUSE</i> | Rev. 9310 |
| Tab. 4 | CAMBIO DI VELOCITÀ - <i>GEARBOX</i> - CHANGEMENT DE VITESSE - <i>GETRIEBE</i> | Rev. 9310 |
| Tab. 5 | DIFFERENZIALE BLOCCABILE - <i>DIFFERENTIAL WITH LOCK</i> - DIFFERENTIEL - <i>DIFFERENTIAL</i> | Rev. 9310 |
| Tab. 6 | FRENI - <i>BRAKES</i> - FREINS - <i>BREMSEN</i> | Rev. 9310 |
| Tab. 7 | PROLUNGA FRESA - <i>EXTENDER FOR TILLER</i> - RALLONGE POUR FRAISE - <i>VERLÄNGERUNG</i> | Rev. 9310 |
| Tab. 8 | PRESA DI FORZA - <i>POWER TAKE OFF</i> - PRISE DE FORCE - <i>ZAPFWELLE</i> | Rev. 9310 |
| Tab. 9 | COFANI - <i>FAIRINGS</i> - CARENAGES - <i>KAROSSERIEN</i> | Rev. 9310 |
| Tab. 9a | COFANO (INTERMOTOR) - <i>MOTOR HOOD</i> - COFFRE - <i>MOTORHAUBE</i> | Rev. 9310 |
| Tab. 10 | IMPIANTO ELETTRICO - <i>ELECTRICAL SYSTEM</i> - INSTALLATION ELECTRIQUE - <i>ELEKTRISCHE ANLAGE</i> | Rev. 9310 |
| Tab. 11 | GRUPPO FRESA - <i>TILLER</i> - FRAISE - <i>FRÄSE</i> | Rev. 9310 |

Tab. 1 - STEGOLE DI GUIDA - HANDLEBARS - MANCHERONS - FURHUNGSHOLM



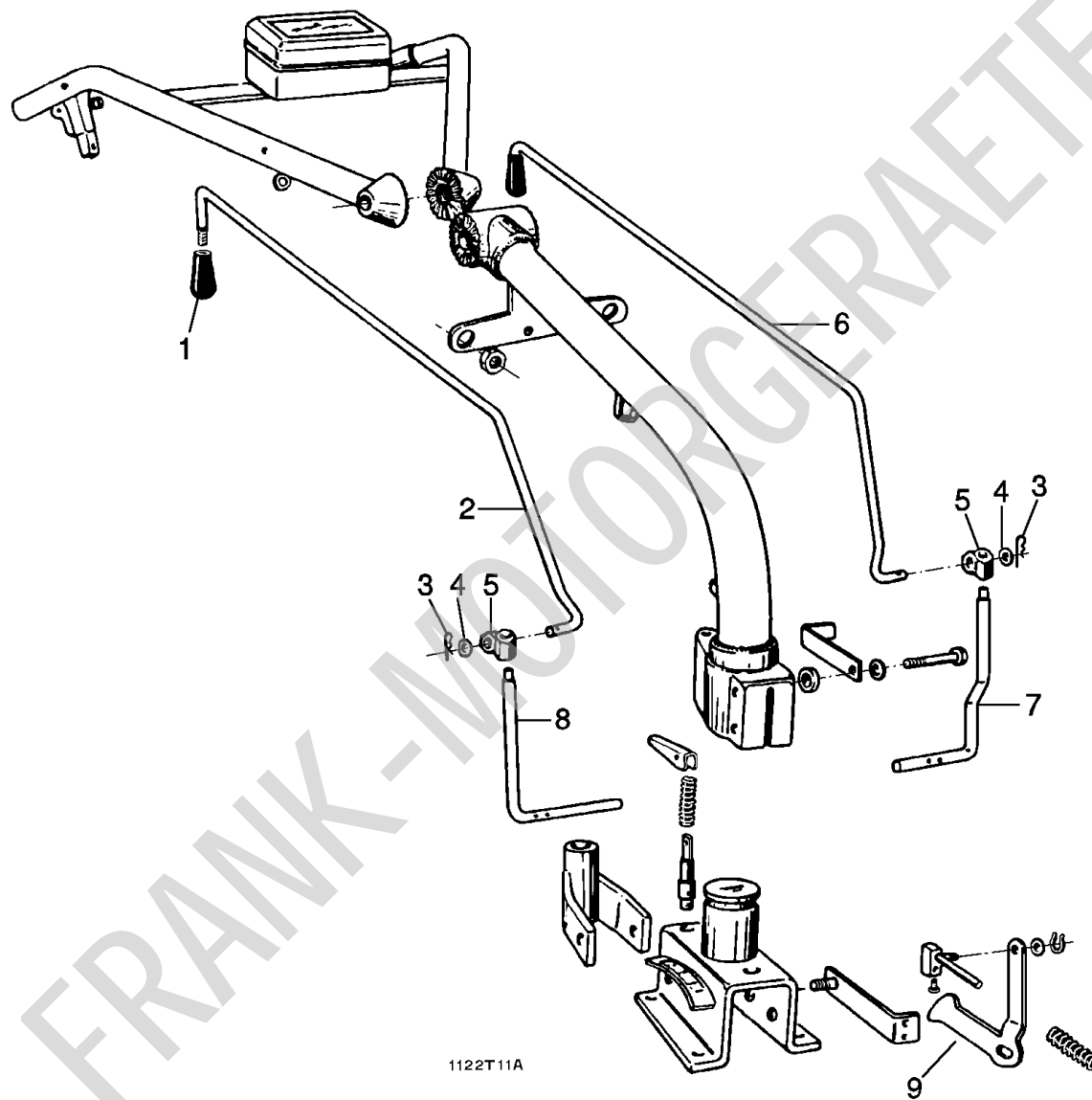
Tab. 1 - STEGOLE DI GUIDA - HANDLEBARS - MANCHERONS - STERZ

| REF. | Q. | COD. | DESCRIZIONE | DESCRIPTION | DESCRIPTION | BENENNUNG |
|------|----|----------|---------------------------|--------------------------|------------------------|--------------------------|
| 01a | 01 | 14660238 | MOTORSTOP (Diesel) | MOTORSTOP, (Diesel) | MOTORSTOP (Diesel) | MOTORSTOP (Diesel) |
| 01b | 01 | 14660239 | MOTORSTOP (Benzina) | MOTORSTOP, (Gasoline) | MOTORSTOP (Essence) | MOTORSTOP (Benzin) |
| 02a | 01 | 14660226 | LEVA MOTORSTOP (Diesel) | LEVER (Diesel) | LEVIER (Diesel) | HEBEL (Diesel) |
| 02b | 01 | 14660225 | LEVA MOTORSTOP (Benzina) | LEVER (Gasoline) | LEVIER (Essence) | HEBEL (Benzin) |
| 03 | 01 | 14680368 | MANOPOLA MOTORSTOP | MOTORSTOP GRIP | POIGNE MOTORSTOP | MOTORSTOPGRIFF |
| 04a | 01 | 14670104 | FILO MOTORSTOP | WIRE, MOTORSTOP | CABLE MOTORSTOP | MOTORSTOPSEIL |
| 04b | 01 | 14660385 | TRASMISSIONE | WIRE, ASS.Y | CABLE COMPLET | SEIL KOMPLETT |
| 05 | 01 | 14660263 | BARILOTTO | BUSHING | BARILLET | ZYLINDER |
| 06 | 01 | 14660242 | MORSETTO SERRAFILO | CLAMP | SERRE-CABLE | SEILKLEMME |
| 07 | 01 | 14680364 | MANOPOLA | GRIP | POIGNE | GRIFF |
| 08 | 02 | 14660236 | VITE | SCREW | VIS | SCHRAUBE |
| 09 | 01 | 14660223 | LEVA | LEVER | LEVIER | HEBEL |
| 10 | 01 | 14660257 | VITE REGISTRO | SCREW, ADJUSTMENT | VIS DE REGLAGE | STELLSCHRAUBE |
| 11 | 02 | 19954206 | DADO | NUT | ECROU | MUTTER |
| 12 | 02 | 19954253 | DADO | NUT | ECROU | MUTTER |
| 13 | 01 | 14660203 | MANETTINO GAS | LEVER, THROTTLE | ACCELERATEUR | GASHEBEL |
| 14 | 02 | 14660187 | POMELLO | KNOB | BOUTON | KNEBELGRIFF |
| 15 | 01 | 19952688 | VITE | SCREW | VIS | SCHRAUBE |
| 16 | 01 | 15001033 | MOLLA | SPRING | RESSORT | FEDER |
| 17 | 01 | 19955276 | ROSETTA ELASTICA | SPRING WASHER | RONDELLE ELASTIQUE | FEDERSCHEIBE |
| 18 | 01 | 19955055 | RONDELLA | WASHER | RONDELLE | SCHEIBE |
| 19a | 01 | 14660342 | TRASMISSIONE (mod.France) | WIRE, THROTTLE, (France) | CABLE COMPLET (France) | GAS-SEILZUG (France) |
| 19b | 01 | 14660393 | TRASMISSIONE GAS | WIRE, THROTTLE, ASS.Y | CABLE COMPLET | GAS-SEILZUG KOMPLETT |
| 20 | 01 | 15005011 | PORTA ATTREZZI | TOOL BOX | TROUSSE PORTEOUTILS | GERÄTETUI |
| 21 | 02 | 19952721 | VITE | SCREW | VIS | SCHRAUBE |
| 22 | 04 | 19955052 | RONDELLA | WASHER | RONDELLE | SCHEIBE |
| 23 | 03 | 19954254 | DADO | NUT | ECROU | MUTTER |
| 24 | 01 | 15205074 | STEGOLE | HANDLEBARS | MANCHERONS | STERZ |
| 25 | 01 | 19957104 | COPIGLIA | COTTER PIN | GOUPILLE FENDUE | SPLINT |
| 26 | 01 | 14660220 | LEVA | LEVER | LEVIER | HEBEL |
| 27 | 01 | 14660230 | BARILOTTO | BUSHING | BARILLET | ZYLINDER |
| 28a | 01 | 14660341 | TRASM. FRIZIONE (France) | WIRE, ASS.Y (France) | CABLE COMPLET (France) | KUPPLUNGSEIL KOMP. (Fr.) |
| 28b | 01 | 14660374 | TRASMISSIONE FRIZIONE | WIRE, ASS.Y | CABLE COMPLET | KUPPLUNGSEIL KOMPLETT |
| 29a | 02 | 15205180 | ASTA (avv. elettrico) | ROD (electric starting) | TIGE (allumage elec.) | STANGE (elek. anlasser) |
| 29b | 02 | 15205179 | ASTA | ROD | TIGE | STANGE |
| 30 | 02 | 14680101 | GOMMINO | RUBBER RING | CAOUTCHOUC | GUMMIRING |
| 31 | 02 | 14680801 | FASCETTA | STRAP | COLLIER | HALTERBAND |
| 32a | 01 | 14660343 | TRASMISSIONE (France) | WIRE, ASS.Y (France) | CABLE COMPLET (France) | KUPPLUNGSEIL KOMP. (Fr.) |
| 32b | 01 | 14660377 | TRASMISSIONE | WIRE, ASS.Y | CABLE COMPLET | SEIL KOMPLETT |
| 33 | 03 | 15001081 | COPIGLIA | COTTER PIN | GOUPILLE FENDUE | SPLINT |
| 34a | 01 | 15205108 | SUPPORTO COMP. (France) | SUPPORT, ASS.Y (France) | SUPPORT COMP. (France) | HALTERUNG KOMP. (Fr.) |
| 34b | 01 | 15205075 | SUPPORTO COMPLETO | SUPPORT | SUPPORT COMPLET | HALTERUNG KOMPLETT |
| 35 | 01 | 15205102 | SQUADRETTA | BRACKET | EQUERRE | WINKEL |
| 36 | 01 | 15055093 | DISTANZIALE | SPACER | ENTRETOISE | DISTANZSTÜCK |

Tab. 1 - STEGOLE DI GUIDA - HANDLEBARS - MANCHERONS - STERZ

| REF. | Q. | COD. | DESCRIZIONE | DESCRIPTION | DESCRIPTION | BENENNUNG |
|------|----|----------|-------------------|----------------|-----------------------|-------------------|
| 37 | 02 | 19955274 | ROSETTA ELASTICA | SPRING WASHER | RONDELLE ELASTIQUE | FEDERSCHEIBE |
| 38 | 01 | 19952650 | VITE | SCREW | VIS | SCHRAUBE |
| 39 | 04 | 19955053 | RONDELLA | WASHER | RONDELLE | SCHEIBE |
| 40 | 01 | 19952631 | VITE | SCREW | VIS | SCHRAUBE |
| 41 | 01 | 15205172 | LEVA | LEVER | LEVIER | HEBEL |
| 42 | 02 | 15205177 | SNODO | JOINT | JOINT | GELENK |
| 43 | 01 | 15205042 | RONDELLA | WASHER | RONDELLE | SCHEIBE |
| 44 | 01 | 19952720 | VITE | SCREW | VIS | SCHRAUBE |
| 45 | 02 | 19955009 | RONDELLA | WASHER | RONDELLE | SCHEIBE |
| 46 | 02 | 19955408 | ROSETTA ELASTICA | SPRING WASHER | RONDELLE ELASTIQUE | FEDERSCHEIBE |
| 47 | 02 | 19952715 | VITE | SCREW | VIS | SCHRAUBE |
| 48 | 01 | 15205144 | PERNO | PIN | AXE | BOLZEN |
| 49 | 01 | 15001085 | SPINA A MOLLA | SPRING CLIP | GOUPILLE RAPIDE | VORSTECKER |
| 50 | 01 | 19955709 | SPINA | PIN | GOUPILLE | STIFT |
| 51 | 01 | 15205097 | LEVA | LEVER | LEVIER | HEBEL |
| 52 | 01 | 15001035 | MOLLA | SPRING | RESSORT | FEDER |
| 53 | 01 | 15205096 | PERNO | PIN | AXE | BOLZEN |
| 54 | 01 | 15205047 | SUPPORTO | SUPPORT | SUPPORT | HALTERUNG |
| 55a | 01 | 19956151 | RONDELLA (OTTONE) | WASHER (BRASS) | RONDELLE (LAITON) | SCHEIBE (MESSING) |
| 55b | 01 | 19955012 | RONDELLA | WASHER | RONDELLE | SCHEIBE |
| 56 | 01 | 15205171 | ALBERO CON LEVA | LEVER, CLUTCH | LEVIER DE L'EMBRAYAGE | KUPPLUNGHEBEL |
| 57 | 01 | 15205054 | ATTACCO TRAINO | TOW HOOK | ATTELAGE | VERBINDUNG |
| 58 | 02 | 19952738 | VITE | SCREW | VIS | SCHRAUBE |
| 59 | 02 | 19954255 | DADO | NUT | ECROU | MUTTER |
| 60 | 01 | 19952723 | VITE | SCREW | VIS | SCHRAUBE |
| 61 | 01 | 19955275 | ROSETTA ELASTICA | SPRING WASHER | RONDELLE ELASTIQUE | FEDERSCHEIBE |
| 62 | 01 | 15205062 | DADO | NUT | ECROU | MUTTER |
| 63 | 01 | 19955016 | RONDELLA | WASHER | RONDELLE | SCHEIBE |
| 64 | 01 | 19952709 | VITE | SCREW | VIS | SCHRAUBE |
| 65 | 01 | 15205064 | SNODO | JOINT | JOINT | GELENK |
| 66 | 01 | 15205173 | LEVA | LEVER | LEVIER | HEBEL |
| 67 | 01 | 19955508 | ANELLO ELASTICO | LOCKRING | ARRETOIR | SICHERUNGSRING |
| 68 | 01 | 15205063 | SQUADRETTA | BRACKET | EQUERRE | WINKEL |
| 69 | 01 | 14660250 | BUSSOLA | BUSH | DOUILLE | BÜCHSE |
| 70 | 01 | 19956020 | SPESSORE | THICKNESS | CALE D'EPaisseur | DISTANZSCHEIBE |
| 71 | 01 | 15207042 | MOLLA | SPRING | RESSORT | FEDER |
| 72 | 01 | 14650612 | SPINA | PIN | GOUPILLE | STIFT |
| 73 | 01 | 14660233 | BLOCCO FRIZIONE | LOCK, CLUTCH | BLOC DE L'EMBRAYAGE | BLOCKIERUNG |

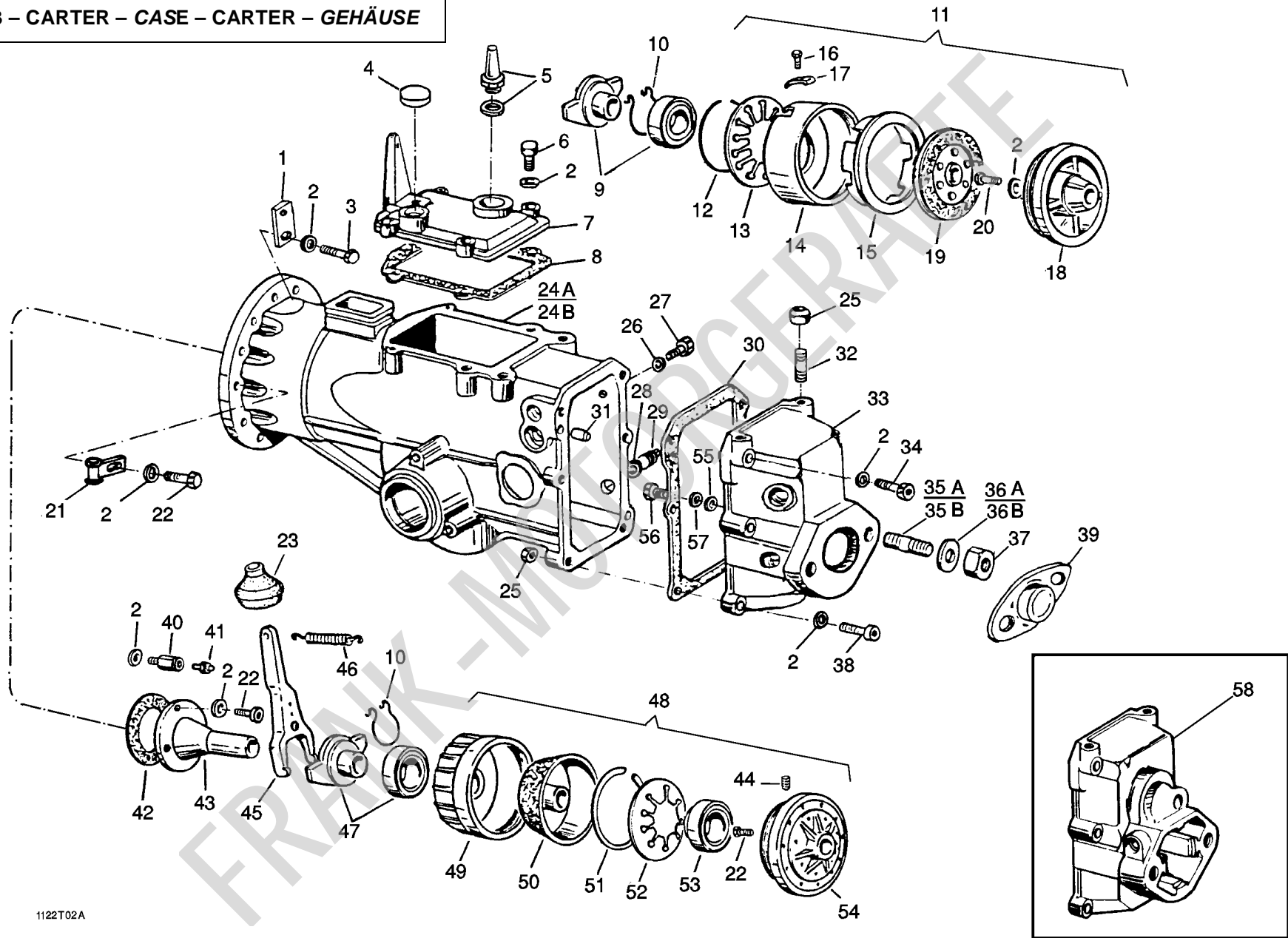
Tab. 2 - COMANDI (vecchio modello) - DRIVES (old model)- COMMANDES (vieux modèle) - STEUERUNG (altes modell)



Tab. 2 - COMANDI (vecchio modello) - DRIVES (old model)- COMMANDES (vieux modèle) - STEUEURUNG (altes modell)

| REF. | Q. | COD. | DESCRIZIONE | DESCRIPTION | DESCRIPTION | BENENNUNG |
|------|----|----------|---------------|-------------|-----------------|-------------|
| 1 | 02 | 14660181 | POMELLO | KNOB | BOUTON | KNEBELGRIFF |
| 2 | 01 | 15195075 | ASTA | ROD | TIGE | STANGE |
| 3 | 02 | 15001081 | SPINA A MOLLA | SPRING CLIP | GOUPILLE RAPIDE | VORSTECKER |
| 4 | 02 | 19955053 | RONDELLA | WASHER | RONDELLE | SCHEIBE |
| 5 | 02 | 14660136 | SNODO | JOINT | JOINT | GELENK |
| 6 | 01 | 15205103 | ASTA | ROD | TIGE | STANGE |
| 7 | 01 | 15205045 | LEVA | LEVER | LEVIER | HEBEL |
| 8 | 01 | 15205044 | LEVA | LEVER | LEVIER | HEBEL |
| 9 | 01 | 15205038 | LEVA | LEVER | LEVIER | HEBEL |

Tab. 3 – CARTER – CASE – CARTER – GEHÄUSE



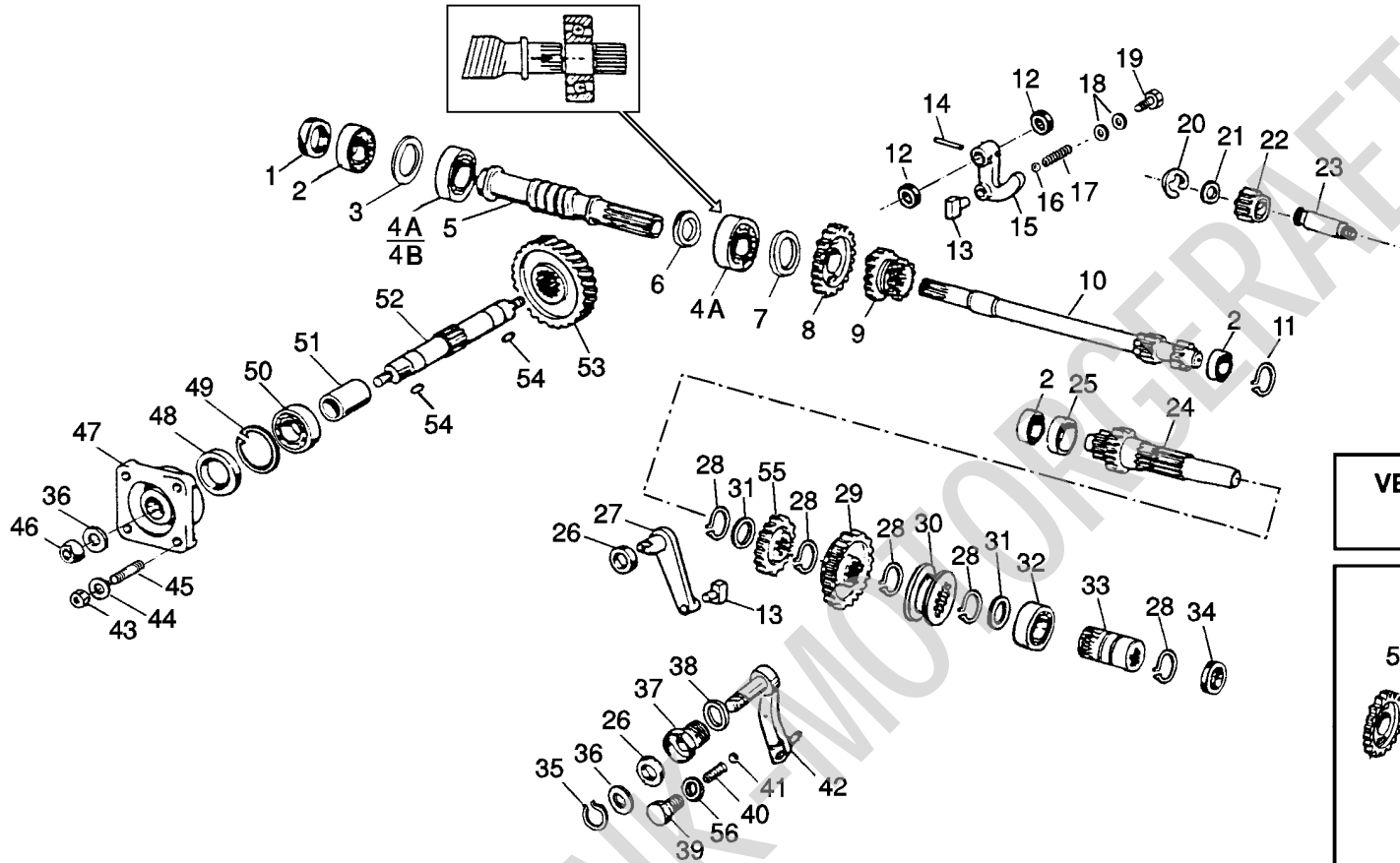
Tab. 3 - CARTER - CASE - CARTER - GEHÄUSE

| REF. | Q. | COD. | DESCRIZIONE | DESCRIPTION | DESCRIPTION | BENENNUNG |
|------|----|----------|---------------------------|-------------------------|-------------------------|-----------------------------|
| 01 | 01 | 15205101 | PIASTRINA | PLATE | PLAQUE | PLATTE |
| 02 | 19 | 19955308 | ROSETTA ELAST. (IM350) | SPRING WASHER. (IM350) | RONDELLE ELAST. (IM350) | FEDERSCHEIBE. (IM350) |
| 02 | 25 | 19955308 | ROSETTA ELAST. (MC71) | SPRING WASHER. (MC71) | RONDELLE ELAST. (MC71) | FEDERSCHEIBE. (MC71) |
| 02 | 24 | 19955308 | ROSETTA ELAST. (CA340) | SPRING WASHER. (CA340) | RONDELLE ELAST. (CA340) | FEDERSCHEIBE. (CA340) |
| 03 | 01 | 19952133 | VITE | SCREW | VIS | SCHRAUBE |
| 04 | 01 | 19922296 | TAPPO | PLUG | BOUCHON | STOPFEN |
| 05 | 01 | 14660121 | TAPPO | PLUG | BOUCHON | STOPFEN |
| 06 | 04 | 19952137 | VITE | SCREW | VIS | SCHRAUBE |
| 07 | 01 | 15202004 | COPERCHIO | COVER | COUVERCLE | DECKEL |
| 08 | 01 | 15206051 | GUARNIZIONE | GASKET | JOINT | DICHTUNG |
| 09 | 01 | 14610328 | MANICOTTO CON CUSCIN. | FITTING W/ BEARING | PALIER | LAGERHALTER |
| 10 | 01 | 14610332 | MOLLA | SPRING | RESSORT | FEDER |
| 11 | 01 | 14610302 | GRUPPO FRIZIONE SC90 | CLUTCH, ASS.Y | EMBRAYAGE COMPLET | KUPPLUNGSGRUPPE |
| 12 | - | - | NON FORNITO | N/A | NON DISPONIBLE | NICHT VERFÜGBAR |
| 13 | - | - | NON FORNITO | N/A | NON DISPONIBLE | NICHT VERFÜGBAR |
| 14 | - | - | NON FORNITO | N/A | NON DISPONIBLE | NICHT VERFÜGBAR |
| 15 | - | - | NON FORNITO | N/A | NON DISPONIBLE | NICHT VERFÜGBAR |
| 16 | - | - | NON FORNITO | N/A | NON DISPONIBLE | NICHT VERFÜGBAR |
| 17 | - | - | NON FORNITO | N/A | NON DISPONIBLE | NICHT VERFÜGBAR |
| 18 | - | - | NON FORNITO | N/A | NON DISPONIBLE | NICHT VERFÜGBAR |
| 19 | 01 | 14610303 | DISCO FRIZIONE SC90 | CLUTCH DISK | DISQUE | KUPPLUNGSCHEIBE |
| 20 | 01 | 19952729 | VITE | SCREW | VIS | SCHRAUBE |
| 21 | 01 | 14680803 | FERMAFILO | FASTENER | SERRECABLE | SEILKLEMME |
| 22 | 08 | 19952128 | VITE (IM350) | SCREW (IM350) | VIS (IM350) | SCHRAUBE (IM350) |
| 22 | 14 | 19952128 | VITE (MC71) | SCREW (MC71) | VIS (MC71) | SCHRAUBE (MC71) |
| 22 | 13 | 19952128 | VITE (CA340) | SCREW. (CA340) | VIS. (CA340) | SCHRAUBE. (CA340) |
| 23 | 01 | 14680508 | CUFFIA IN GOMMA | COWLING | PROTECTION | SCHUTZKAPPE |
| 24a | 01 | 15201002 | CARTER GHISA | CASE, CAST IRON | CARTER FONTE | GEHÄUSE, GUSSEISEN |
| 24b | 01 | 15202002 | CARTER ALLUMINIO | CASE, ALUMINIUM | CARTER, ALUMINIUM | GEHÄUSE, ALUMINIUM |
| 25 | 06 | 19954254 | DADO | NUT | ECROU | MUTTER |
| 26 | 01 | 19956166 | RONDELLA | WASHER | RONDELLE | SCHEIBE |
| 27 | 01 | 19952710 | VITE | SCREW | VIS | SCHRAUBE |
| 28 | 01 | 19956110 | RONDELLA | WASHER | RONDELLE | SCHEIBE |
| 29 | 01 | 15005013 | TAPPO | PLUG | BOUCHON | STOPFEN |
| 30 | 01 | 15206050 | GUARNIZIONE | GASKET | JOINT | DICHTUNG |
| 31 | 02 | 19955915 | SPINA | PIN | GOUPILLE | STIFT |
| 32 | 04 | 15004013 | PRIGIONIERO | STUD BOLT | GOUJON | STIFTSCHRAUBE |
| 33 | 01 | 15431003 | COPERCHIO | COVER | COUVERCLE | DECKEL |
| 34 | 04 | 19952151 | VITE | SCREW | VIS | SCHRAUBE |
| 35a | 02 | 15004031 | PRIGIONIERO (Mod. France) | STUD BOLT (Mod. France) | GOUJON (Mod. France) | STIFTSCHRAUBE (Mod. France) |
| 35b | 02 | 15004030 | PRIGIONIERO | STUD BOLT | GOUJON | STIFTSCHRAUBE |
| 36a | 02 | 19955054 | RONDELLA (Mod. France) | WASHER (Mod. France) | RONDELLE (Mod. France) | SCHEIBE (Mod. France) |
| 36b | 02 | 19955013 | RONDELLA | WASHER | RONDELLE | SCHEIBE |
| 37 | 02 | 19954212 | DADO | NUT | ECROU | MUTTER |
| 38 | 02 | 19952146 | VITE | SCREW | VIS | SCHRAUBE |
| 39 | 01 | 15056007 | COPERCHIO | COVER | COUVERCLE | DECKEL |

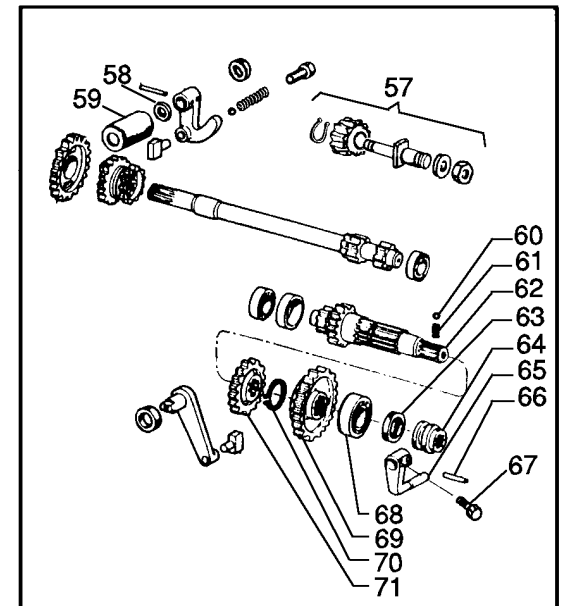
Tab. 3 - CARTER - CASE - CARTER - GEHÄUSE

| REF. | Q. | COD. | DESCRIZIONE | DESCRIPTION | DESCRIPTION | BENENNUNG |
|------|----|----------|--------------------------|--------------------|--------------------------|-----------------------|
| 40 | 01 | 15265016 | PROLUNGA | EXTENSION | RALLONGE | VERLÄNGERUNG |
| 41 | 01 | 14610326 | PERNO SFERICO | PIVOT | PIVOT | PIVOT |
| 42 | 01 | 15206052 | GUARNIZIONE | GASKET | JOINT | DICHTUNG |
| 43 | 01 | 15201009 | MANICOTTO | FITTING | MANCHON | MUFFE |
| 44 | 01 | 19952508 | VITE | SCREW | VIS | SCHRAUBE |
| 45 | 01 | 14610305 | LEVA | LEVER | LEVIER | HEBEL |
| 46 | 01 | 15001013 | MOLLA | SPRING | RESSORT | FEDER |
| 47 | 01 | 14610337 | MANICOTTO CON CUSCIN. | FITTING W/ BEARING | PALIER | LAGERHALTER |
| 48 | 01 | 14610336 | GRUPPO FRIZIONE CN85 | CLUTCH, ASS.Y | EMBAYAGE COMPLET | KUPPLUNGSGRUPPE |
| 49 | 01 | 15082041 | CAMPANA CON FERODO | PLATE, LINED | CLOCHE A FERODO | REIBUNGSGLOCKE |
| 50 | 01 | 15083040 | CAMPANA CONDOTTA | PLATE, DRIVEN | CLOCHE ENTRAINÉE | ANTRIEBSGLOCKE |
| 51 | 01 | 15083044 | ANELLO ELASTICO | LOCKRING | ARRETOIR | SICHERUNGSRING |
| 52 | 01 | 15083043 | MOLLA A TAZZA | DISK SPRING | RESSORT A DISQUE | SCHEIBENFEDER |
| 53 | 01 | 15083049 | CUSCINETTO | BEARING | ROULEMENT | LAGER |
| 54 | 01 | 15081042 | FLANGIA | FLANGE | BRIDE | FLANSCH |
| 55 | 01 | 19955007 | RONDELLA | WASHER | RONDELLE | SCHEIBE |
| 56 | 01 | 19952714 | VITE | SCREW | VIS | SCHRAUBE |
| 57 | 01 | 19955306 | RONDELLA | WASHER | RONDELLE | SCHEIBE |
| 58 | 01 | 15201003 | COPERCHIO (VECCHIO TIPO) | COVER (OLD MODEL) | COUVERCLE (VIEUX MODÈLE) | DECKEL (ALTES MODELL) |

Tab. 4 - CAMBIO DI VELOCITÀ - GEARBOX - CHANGEMENT DE VITESSE - GETRIEBE



VECCHIO MODELLO - OLD MODEL
VIEUX MODEL - ALTE MODELL



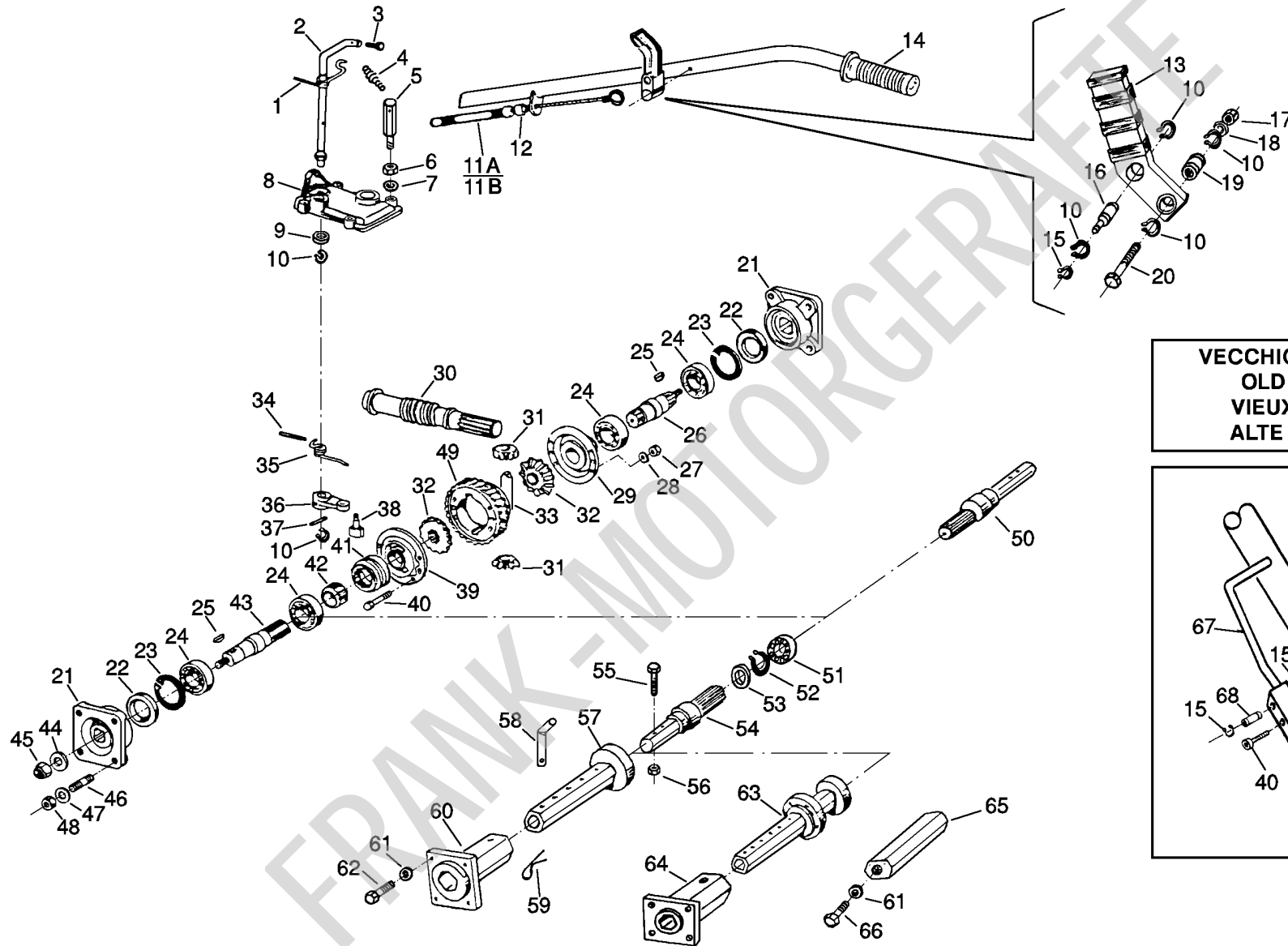
Tab. 4 - CAMBIO DI VELOCITÀ - GEARBOX - CHANGEMENT DE VITESSE - GETRIEBE

| REF. | Q. | COD. | DESCRIZIONE | DESCRIPTION | DESCRIPTION | BENENNUNG |
|------|----|----------|------------------------|-------------------------|------------------------|-------------------|
| 01 | 01 | 19922053 | ANELLO DI TENUTA | SEAL RING | BAGUE D'ETANCHEITÉ | DICHTRING |
| 02 | 03 | 19900311 | CUSCINETTO | BEARING | ROULEMENT | LAGER |
| 03 | 01 | 19956053 | SPESSORE | SHIM | CALE D'EPAISSEUR | DISTANZSCHEIBE |
| 04a | 02 | 19901005 | CUSCINETTO | BEARING | ROULEMENT | LAGER |
| 04b | 01 | 19900811 | CUSCINET. CARTER GHISA | BEARING, CAST IRON CASE | ROULEMENT CARTER FONTE | LAGER (GUSSEISEN) |
| 05 | 01 | 15204011 | VITE SENZA FINE | WORM SCREW | VIS SANS FIN | ENDLOSSCHRAUBE |
| 06 | 01 | 15204053 | DISTANZIALE | SPACER | ENTRETOISE | DISTANZSTÜCK |
| 07 | 01 | 19956035 | SPESSORE. CARTER GHISA | SHIM, CAST IRON CASE | CALE D'EPAISSEUR | DISTANZSCHEIBE |
| 08 | 01 | 15204013 | INGRANAGGIO | GEAR | ENGRENAGE | ZAHNRAD |
| 09 | 01 | 15204012 | INGRANAGGIO SCORREV. | SLIDING GEAR | BALADEUR | SCHIEBERAD |
| 10 | 01 | 15204010 | ALBERO | SHAFT | ARBRE | WELLE |
| 11 | 01 | 19955515 | ANELLO ELASTICO | LOCKRING | ARRETOIR | SICHERUNGSRING |
| 12 | 02 | 19922031 | ANELLO DI TENUTA | SEAL RING | BAGUE D'ETANCHEITÉ | DICHTRING |
| 13 | 02 | 15204037 | PATTINO | SLIDING SHOE | PATIN | GLEITSTÜCK |
| 14 | 02 | 19955724 | SPINA ELASTICA | ROLL PIN | GOUPILLE ELASTIQUE | FEDERSTIFT |
| 15 | 01 | 15203033 | LEVA | LEVER | LEVIER | HEBEL |
| 16 | 01 | 19900012 | SFERA | BALL | BILLE | KUGEL |
| 17 | 01 | 15207088 | MOLLA | SPRING | RESSORT | FEDER |
| 18 | 02 | 19956168 | GUARNIZIONE | GASKET | JOINT | DICHTUNG |
| 19 | 01 | 15205049 | VITE | SCREW | VIS | SCHRAUBE |
| 20 | 01 | 19954812 | ANELLO ELASTICO | LOCKRING | ARRETOIR | SICHERUNGSRING |
| 21 | 01 | 19956017 | SPESSORE | SHIM | CALE D'EPAISSEUR | DISTANZSCHEIBE |
| 22 | 01 | 15434011 | INGRANAGGIO | GEAR | ENGRENAGE | ZAHNRAD |
| 23 | 01 | 15434010 | ALBERO | SHAFT | ARBRE | WELLE |
| 24 | 01 | 15434024 | ALBERO | SHAFT | ARBRE | WELLE |
| 25 | 01 | 15204032 | DISTANZIALE | SPACER | ENTRETOISE | DISTANZSTÜCK |
| 26 | 02 | 19922066 | ANELLO DI TENUTA | SEAL RING | BAGUE D'ETANCHEITÉ | DICHTRING |
| 27 | 01 | 15203048 | LEVA | LEVER | LEVIER | HEBEL |
| 28 | 05 | 19955530 | ANELLO ELASTICO | LOCKRING | ARRETOIR | SICHERUNGSRING |
| 29 | 01 | 15434023 | CORONA DENTATA | RING GEAR | COURONNE DENTEE | ZAHNKRANZ |
| 30 | 01 | 15434015 | INNESTO SCORREVOLE | DOG-CLAW | CLABOT | SCHIEBEKUPPLUNG |
| 31 | 02 | 19956043 | SPESSORE | SHIM | CALE D'EPAISSEUR | DISTANZSCHEIBE |
| 32 | 01 | 19900231 | CUSCINETTO | BEARING | ROULEMENT | LAGER |
| 33 | 01 | 15434022 | MANICOTTO | FITTING | MANCHON | MUFFE |
| 34 | 01 | 19922221 | ANELLO DI TENUTA | SEAL RING | BAGUE D'ETANCHEITÉ | DICHTRING |
| 35 | 01 | 19955516 | ANELLO ELASTICO | LOCKRING | ARRETOIR | SICHERUNGSRING |
| 36 | 03 | 19955056 | RONDELLA | WASHER | RONDELLE | SCHEIBE |
| 37 | 01 | 15205174 | BUSSOLA | BUSH | DOUILLE | BÜCHSE |
| 38 | 01 | 19956031 | SPESSORE | SHIM | CALE D'EPAISSEUR | DISTANZSCHEIBE |
| 39 | 01 | 15205175 | VITE | SCREW | VIS | SCHRAUBE |
| 40 | 01 | 15205142 | MOLLA | SPRING | RESSORT | FEDER |
| 41 | 01 | 19900017 | SFERA | BALL | BILLE | KUGEL |
| 42 | 01 | 15205176 | LEVA | LEVER | LEVIER | HEBEL |
| 43 | 08 | 19954007 | DADO | NUT | ECROU | MUTTER |
| 44 | 08 | 19955054 | RONDELLA | WASHER | RONDELLE | SCHEIBE |

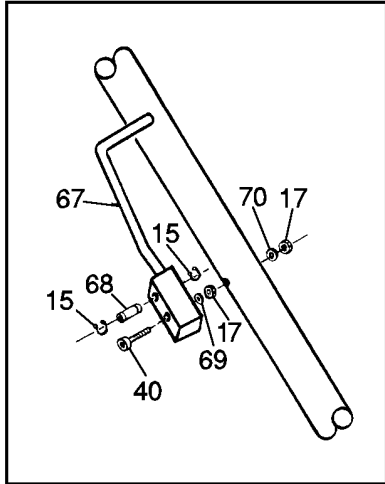
Tab. 4 - CAMBIO DI VELOCITÀ - GEARBOX - CHANGEMENT DE VITESSE - GETRIEBE

| REF. | Q. | COD. | DESCRIZIONE | DESCRIPTION | DESCRIPTION | BENENNUNG |
|------|----|----------|-------------------------------|------------------------------|------------------------------|--------------------------|
| 45 | 08 | 15004027 | PRIGIONIERO | STUD BOLT | GOUJON | STIFTSCHRAUBE |
| 46 | 02 | 19954227 | DADO | NUT | ECROU | MUTTER |
| 47 | 02 | 15201008 | MOZZO | HUB | MOYEU | NABE |
| 48 | 02 | 19921028 | ANELLO DI TENUTA | SEAL RING | BAGUE D'ETANCHEITÉ | DICHTRING |
| 49 | 02 | 19955652 | ANELLO ELASTICO | LOCKRING | ARRETOIR | SICHERUNGSRING |
| 50 | 02 | 19900326 | CUSCINETTO | BEARING | ROULEMENT | LAGER |
| 51 | 02 | 15205041 | DISTANZIALE | SPACER | ENTRETOISE | DISTANZSTÜCK |
| 52 | 01 | 15204020 | ALBERO | SHAFT | ARBRE | WELLE |
| 53 | 01 | 15204021 | CORONA DENTATA | RING GEAR | COURONNE DENTEE | ZAHNKRANZ |
| 54 | 02 | 19956317 | CHIAVETTA | KEY | CLAVETTE | KEIL |
| 55 | 01 | 15434025 | CORONA DENTATA | RING GEAR | COURONNE DENTEE | ZAHNKRANZ |
| 56 | 01 | 19956110 | GUARNIZIONE | GASKET | JOINT | DICHTUNG |
| 57 | 01 | 15205034 | INVERTITORE (fino matr.99110) | INVERT. GROUP (to p/n 99110) | GROUPE INV. (jusq'a m.99110) | UMKEHRUNGSGRUPPE (99110) |
| 58 | 01 | 19956005 | SPESSORE | SHIM | CALE D'EPaisseur | DISTANZSCHEIBE |
| 59 | 01 | 15205073 | DISTANZIALE | SPACER | ENTRETOISE | DISTANZSTÜCK |
| 60 | 01 | 19900012 | SFERA | BALL | BILLE | KUGEL |
| 61 | 01 | 15207057 | MOLLA | SPRING | RESSORT | FEDER |
| 62 | 01 | 15204014 | ALBERO | SHAFT | ARBRE | WELLE |
| 63 | 01 | 19922115 | ANELLO DI TENUTA | SEAL RING | BAGUE D'ETANCHEITÉ | DICHTRING |
| 64 | 01 | 15204019 | MANICOTTO | FITTING | MANCHON | MUFFE |
| 65 | 01 | 15203034 | LEVA | LEVER | LEVIER | HEBEL |
| 66 | 01 | 19955719 | SPINA ELASTICA | ROLL PIN | GOUPILLE ELASTIQUE | FEDERSTIFT |
| 67 | 01 | 19952719 | VITE | SCREW | VIS | SCHRAUBE |
| 68 | 01 | 19900321 | CUSCINETTO | BEARING | ROULEMENT | LAGER |
| 69 | 01 | 15204017 | INGRANAGGIO | GEAR | ENGRENAGE | ZAHNRAD |
| 70 | 01 | 19955525 | ANELLO ELASTICO | LOCKRING | ARRETOIR | SICHERUNGSRING |
| 71 | 01 | 15204016 | INGRANAGGIO | GEAR | ENGRENAGE | ZAHNRAD |

Tab. 5 - DIFFERENZIALE BLOCCABILE - DIFFERENTIAL WITH LOCK - DIFFERENTIEL - DIFFERENTIAL



VECCHIO MODELLO
 OLD MODEL
 VIEUX MODEL
 ALTE MODELL



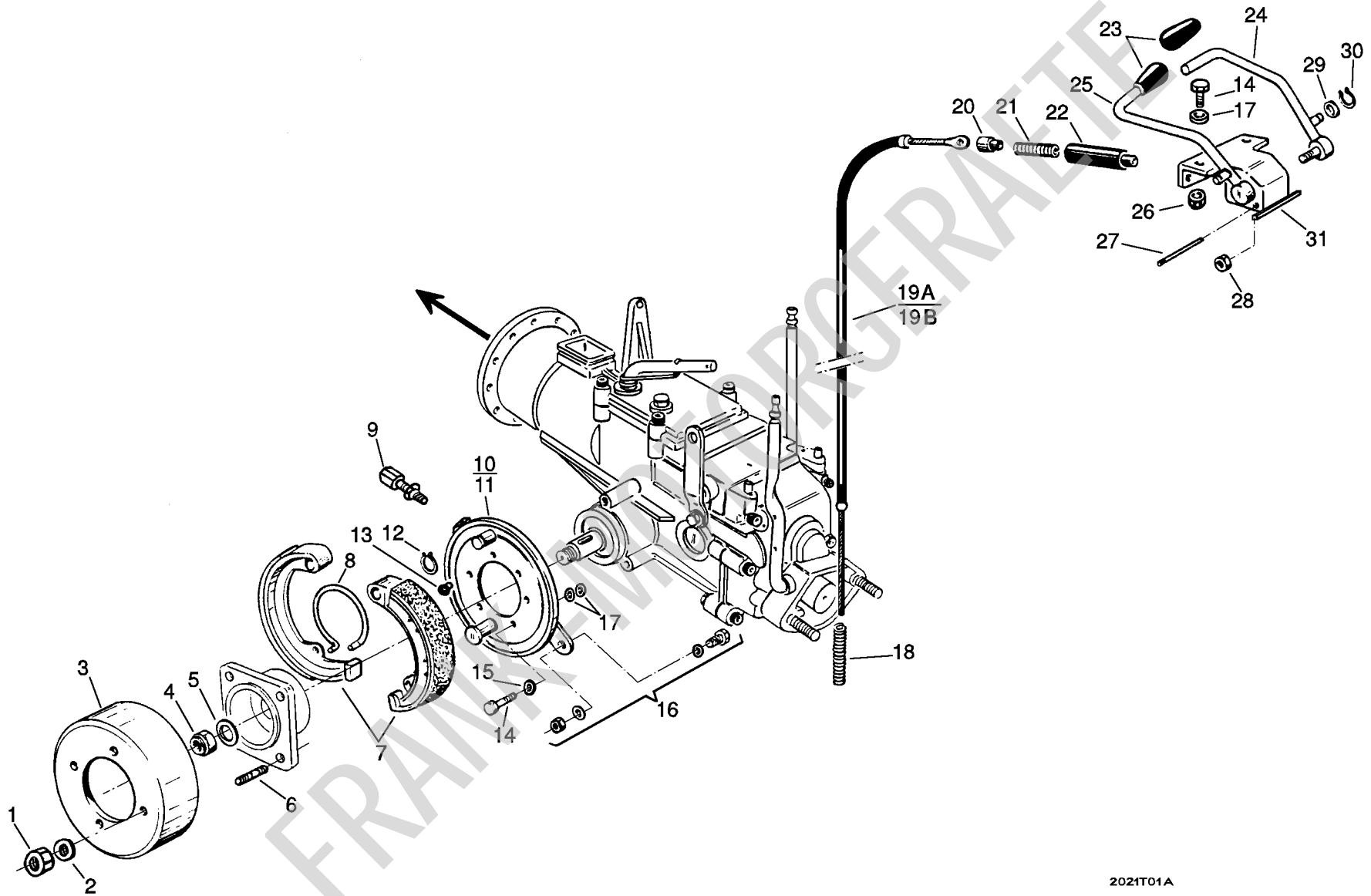
Tab. 5 - DIFFERENZIALE BLOCCABILE - DIFFERENTIAL WITH LOCK - DIFFERENTIEL - DIFFERENTIAL

| REF. | Q. | COD. | DESCRIZIONE | DESCRIPTION | DESCRIPTION | BENENNUNG |
|------|----|----------|-------------------------|----------------------|------------------------|------------------------|
| 01 | 01 | 15227056 | MOLLA | SPRING | RESSORT | FEDER |
| 02 | 01 | 15225043 | LEVA | LEVER | LEVIER | HEBEL |
| 03 | 01 | 19952709 | VITE | SCREW | VIS | SCHRAUBE |
| 04 | 01 | 15001012 | MOLLA | SPRING | RESSORT | FEDER |
| 05 | 01 | 15225063 | PROLUNGA | EXYTENSION | RALLONGE | VERLÄNGERUNG |
| 06 | 01 | 19954045 | DADO | NUT | ECROU | MUTTER |
| 07 | 01 | 19955308 | ROSETTA ELASTICA | SPRING WASHER | RONDELLE ELASTIQUE | FEDERSCHEIBE |
| 08 | 01 | 15202004 | COPERCHIO | COVER | COUVERCLE | DECKEL |
| 09 | 01 | 19922031 | ANELLO DI TENUTA | SEAL RING | BAGUE D'ETANCHEITÉ | DICHTRING |
| 10 | 06 | 19955512 | ANELLO ELASTICO | LOCKRING | ARRETOIR | SICHERUNGSRING |
| 11a | 01 | 14660340 | CAVO (MOD. FRANCE) | WIRE, ASS.Y (FRANCE) | CABLE (FRANCE) | SEILZUG KOMP. (FRANCE) |
| 11b | 01 | 14660375 | CAVO | WIRE, ASS.Y | CABLE COMPLET | SEILZUG KOMPLETT |
| 12 | 01 | 14660257 | VITE REGISTRO | SCREW, ADJUSTEMENT | VIS DE REGLAGE | STELLSCHRAUBE |
| 13 | 01 | 14680504 | LEVA | LEVER | LEVIER | HEBEL |
| 14 | 01 | 14680368 | MANOPOLA MOTORSTOP | MOTORSTOP GRIP | POIGNEE MOTORSTOP | MOTORSTOPGRIFF |
| 15 | 01 | 19955508 | ANELLO ELASTICO | LOCKRING | ARRETOIR | SICHERUNGSRING |
| 16 | 01 | 15405112 | PERNO | PIN | AXE | BOLZEN |
| 17 | 01 | 19954253 | DADO | NUT | ECROU | MUTTER |
| 18 | 01 | 19955051 | RONDELLA | WASHER | RONDELLE | SCHEIBE |
| 19 | 01 | 15405111 | BARILOTTO | BUSHING | BARILLET | ZYLINDER |
| 20 | 01 | 19952360 | VITE | SCREW | VIS | SCHRAUBE |
| 21 | 02 | 15201008 | MOZZO | HUB | MOYEU | NABE |
| 22 | 02 | 19921028 | ANELLO DI TENUTA | SEAL RING | BAGUE D'ETANCHEITÉ | DICHTRING |
| 23 | 02 | 19955652 | ANELLO ELASTICO | LOCKRING | ARRETOIR | SICHERUNGSRING |
| 24 | 02 | 19900326 | CUSCINETTO (MOD.FRANCE) | BEARING (MOD.FRANCE) | ROULEMENT (MOD.FRANCE) | LAGER (MOD.FRANCE) |
| 24 | 04 | 19900326 | CUSCINETTO | BEARING | ROULEMENT | LAGER |
| 25 | 02 | 19956320 | LINGUETTA | SPLINE | CLAVETTE | KEIL |
| 26 | 01 | 15224026 | SEMIASSE DX | HALF-SHAFT (R. H.) | DEMI-ESSIU D. | ACHSWELLEN RECHTS |
| 27 | 06 | 19953603 | DADO | NUT | ECROU | MUTTER |
| 28 | 06 | 19955306 | ROSETTA ELASTICA | SPRING WASHER | RONDELLE ELASTIQUE | FEDERSCHEIBE |
| 29 | 01 | 15224025 | COPERCHIO | COVER | COUVERCLE | DECKEL |
| 30 | 01 | 15204011 | VITE SENZA FINE | WORM SCREW | VIS SANS FIN | ENDLOSSCHRAUBE |
| 31 | 02 | 15224031 | INGRANAGGIO SATELLITE | GEAR | ENGRENAGE | ZAHNRAD |
| 32 | 02 | 15224023 | INGRANAGGIO PLANETARIO | GEAR | ENGRENAGE | ZAHNRAD |
| 33 | 01 | 15224030 | PERNO | PIN | AXE | BOLZEN |
| 34 | 01 | 19955723 | SPINA | PIN | GOUPILLE | STIFT |
| 35 | 01 | 15227055 | MOLLA | SPRING | RESSORT | FEDER |
| 36 | 01 | 15223035 | LEVA | LEVER | LEVIER | HEBEL |
| 37 | 01 | 19955719 | SPINA | PIN | GOUPILLE | STIFT |
| 38 | 01 | 15224036 | PATTINO | SLIDING SHOE | PATIN | GLEITSTÜCK |
| 39 | 01 | 15224024 | COPERCHIO | COVER | COUVERCLE | DECKEL |
| 40 | 06 | 19952245 | VITE | SCREW | VIS | SCHRAUBE |
| 41 | 01 | 15224029 | INNESTO SCORREVOLE | DOG-CLAW | CLABOT | KLAUE |
| 42 | 01 | 15224028 | MANICOTTO | FITTING | MANCHON | MUFFE |
| 43 | 01 | 15224027 | SEMIASSE SX | HALF-SHAFT, (L. H.) | DEMI-ESSIU G. | ACHSWELLEN LENKS |
| 44 | 02 | 19955056 | RONDELLA | WASHER | RONDELLE | SCHEIBE |
| 45 | 02 | 19954227 | DADO | NUT | ECROU | MUTTER |

Tab. 5 - DIFFERENZIALE BLOCCABILE - DIFFERENTIAL WITH LOCK - DIFFERENTIEL - DIFFERENTIAL

| REF. | Q. | COD. | DESCRIZIONE | DESCRIPTION | DESCRIPTION | BENENNUNG |
|------|----|----------|---------------------|---------------------|----------------------|----------------------|
| 46 | 08 | 15004027 | PRIGIONIERO | STUD BOLT | GOUJON | STIFTSCHRAUBE |
| 47 | 08 | 19955054 | RONDELLA | WASHER | RONDELLE | SCHEIBE |
| 48 | 08 | 19954007 | DADO | NUT | ECROU | MUTTER |
| 49 | 01 | 15224022 | CORONA DENTATA | RING GEAR | COURONNE DENTEE | ZAHNKRANZ |
| 50 | 01 | 15224076 | SEMIASSE DX | HALF-SHAFT, RIGHT | DEMI-ESSIU D. | ACHSWELLEN R. |
| 51 | 02 | 19900231 | CUSCINETTO | BEARING | ROULEMENT | LAGER |
| 52 | 02 | 19955655 | ANELLO ELASTICO | LOCKRING | ARRETOIR | SICHERUNGSRING |
| 53 | 02 | 19922223 | ANELLO DI TENUTA | SEAL RING | BAGUE D'ETANCHEITE | DICHTRING |
| 54 | 01 | 15224077 | SEMIASSE SX | HALF-SHAFT, LEFT | DEMI-ESSIU G. | ACHSWELLEN L. |
| 55 | 04 | 19952146 | VITE | SCREW | VIS | SCHRAUBE |
| 56 | 04 | 19954254 | DADO | NUT | ECROU | MUTTER |
| 57 | 02 | 15205099 | SUPPORTO REGOLABILE | SUPPORT, ADJUSTABLE | SUPPORT REGLABLE | HALTERUNG |
| 58 | 02 | 15225065 | SPINA | PIN | GOUPILLE | STIFT |
| 59 | 02 | 15001082 | SPINA A MOLLA | SPRING CLIP | GOUPILLE RAPIDE | VORSTECKER |
| 60 | 02 | 15195117 | MOZZO | HUB | MOYEU | NABE |
| 61 | 16 | 19955275 | ROSETTA ELASTICA | SPRING WASHER | RONDELLE ELASTIQUE | FEDERSCHEIBE |
| 62 | 08 | 19952723 | VITE | SCREW | VIS | SCHRAUBE |
| 63 | 02 | 15205100 | SUPPORTO PER FRENO | SUPPORT FOR BRAKE | SUPPORT POUR FREIN | HALTERUNG FÜR BREMSE |
| 64 | 02 | 15225066 | MOZZO | HUB | MOYEU | NABE |
| 65 | 08 | 15205145 | SUPPORTO RUOTA | WHEEL SUPPORT | SUPPORT ROUE | RADHALTERUNG |
| 66 | 08 | 19952731 | VITE | SCREW | VIS | SCHRAUBE |
| 67 | 01 | 15225061 | LEVA (VECCHIO MOD.) | LEVER (OLD MODEL) | LEVIER (VIEUX MODEL) | HEBEL (ALTE MODELL) |
| 68 | 01 | 15205033 | BUSSOLA | BUSH | DUILLE | BÜCHSE |
| 69 | 01 | 19955406 | ANELLO ELASTICO | LOCKRING | ARRETOIR | SICHERUNGSRING |
| 70 | 01 | 19955007 | RONDELLA | WASHER | RONDELLE | SCHEIBE |

Tab. 6 – FRENI - BRAKES - FREINS - BREMSEN

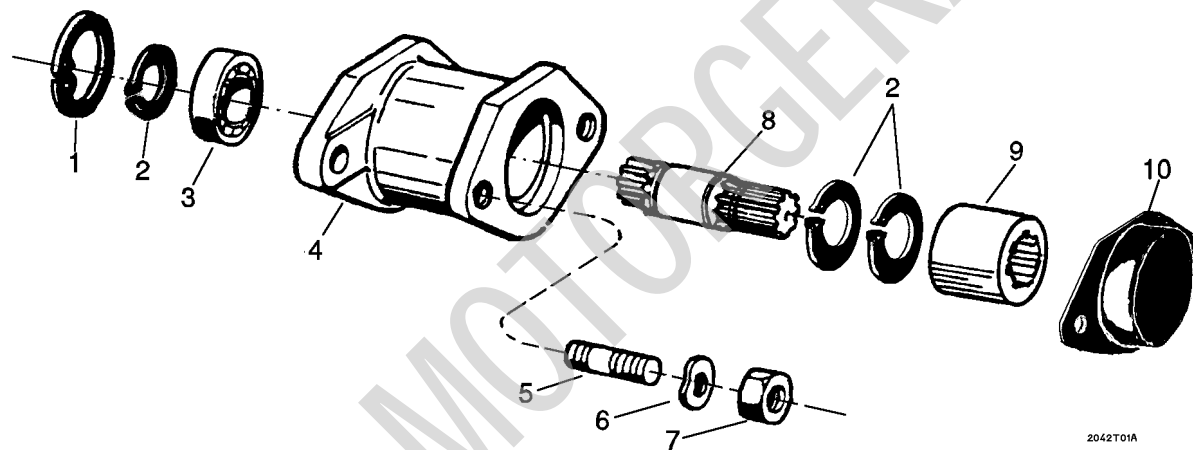


2021T01A

Tab. 6 – FRENI - BRAKES - FREINS - BREMSEN

| REF. | Q. | COD. | DESCRIZIONE | DESCRIPTION | DESCRIPTION | BENENNUNG |
|------|----|----------|---|--|---|---|
| 01 | 08 | 19954007 | DADO | NUT | ECROU | MUTTER |
| 02 | 08 | 19955054 | RONDELLA | WASHER | RONDELLE | SCHEIBE |
| 03 | 02 | 14610703 | TAMBURO | DRUM | TAMBOUR | BREMSTROMMEL |
| 04 | 02 | 19954227 | DADO | NUT | ECROU | MUTTER |
| 05 | 02 | 19955056 | RONDELLA | WASHER | RONDELLE | SCHEIBE |
| 06 | 08 | 15004028 | PRIGIONIERO | STUD BOLT | GOUJON | STIFTSCHRAUBE |
| 07 | 02 | 14610706 | CEPPI FRENANTI (COPPIA) | BRAKE SHOES (COUPLE) | MACHOIRES (COUPLE) | BREMSBACKEN (PAAR) |
| 08 | 02 | 14610707 | MOLLA | SPRING | RESSORT | FEDER |
| 09 | 02 | 14660257 | VITE REGISTRO | SCREW, ADJUSTMENT | VIS DE REGLAGE | STELLSCHRAUBE |
| 10 | 01 | 14610705 | COPERCHIO SX | COVER, (L.H.) | COUVERCLE G. | DECKEL L. |
| 11 | 01 | 14610704 | COPERCHIO DX | COVER, (R.H.) | COUVERCLE D. | DECKEL R. |
| 12 | 02 | 19955512 | ANELLO ELASTICO | LOCKRING | ARRETOIR | SICHERUNGSRING |
| 13 | 04 | 19922309 | TAPPO | PLUG | BOUCHON | STOPFEN |
| 14 | 08 | 19952721 | VITE | SCREW | VIS | SCHRAUBE |
| 15 | 06 | 19955273 | ROSETTA ELASTICA | SPRING WASHER | RONDELLE ELASTIQUE | FEDERSCHEIBE |
| 16 | 02 | 14660246 | MORSETTO | CLAMP | SERRE-CABLE | SEILKLEMME |
| 17 | 14 | 19955052 | RONDELLA | WASHER | RONDELLE | SCHEIBE |
| 18 | 02 | 15001023 | MOLLA | SPRING | RESSORT | FEDER |
| 19a | 02 | 14660376 | TRASMISSIONE | WIRE, ASS.Y | CABLE COMPLET | SEIL KOMPLETT |
| 19b | 02 | 14660344 | TRASMISSIONE (Mod. France) | WIRE, ASS.Y (Mod. France) | CABLE COMPLET (Mod. France) | SEIL KOMPLETT (Mod. France) |
| 20 | 02 | 14660232 | BARILOTTO | BUSHING | BARILLET | ZWINGE |
| 21 | 02 | 15001044 | MOLLA | SPRING | RESSORT | FEDER |
| 22 | 02 | 15215253 | BUSSOLA | BUSH | DOUILLE | BÜCHSE |
| 23 | 02 | 14660181 | POMELLO | KNOB | BOUTON | KNEBELGRIFF |
| 24 | 01 | 15205059 | LEVA DX | LEVER (R.H) | LEVIER D. | HEBEL R. |
| 25 | 01 | 15205058 | LEVA SX | LEVER (L.H) | LEVIER G. | HEBEL L. |
| 26 | 02 | 19954254 | DADO | NUT | ECROU | MUTTER |
| 27 | 01 | 19955870 | SPINA ELASTICA (SOLO PER SUPPORTO VECCHIO) | ROLL PIN (ONLY FOR OLD MODEL SUPPORT) | GOUPILLE ELAST. (POUR LE SUPPORT VIEUX MODELE) | FEDERSTIFT (NUR FÜR ALTE MODELL HALTERUNG) |
| 28 | 02 | 19954256 | DADO | NUT | ECROU | MUTTER |
| 29 | 02 | 19955053 | RONDELLA | WASHER | RONDELLE | SCHEIBE |
| 30 | 02 | 19955510 | ANELLO ELASTICO | LOCKRING | ARRETOIR | SICHERUNGSRING |
| 31 | 01 | 15205060 | SUPPORTO | SUPPORT | SUPPORT | HALTERUNG |

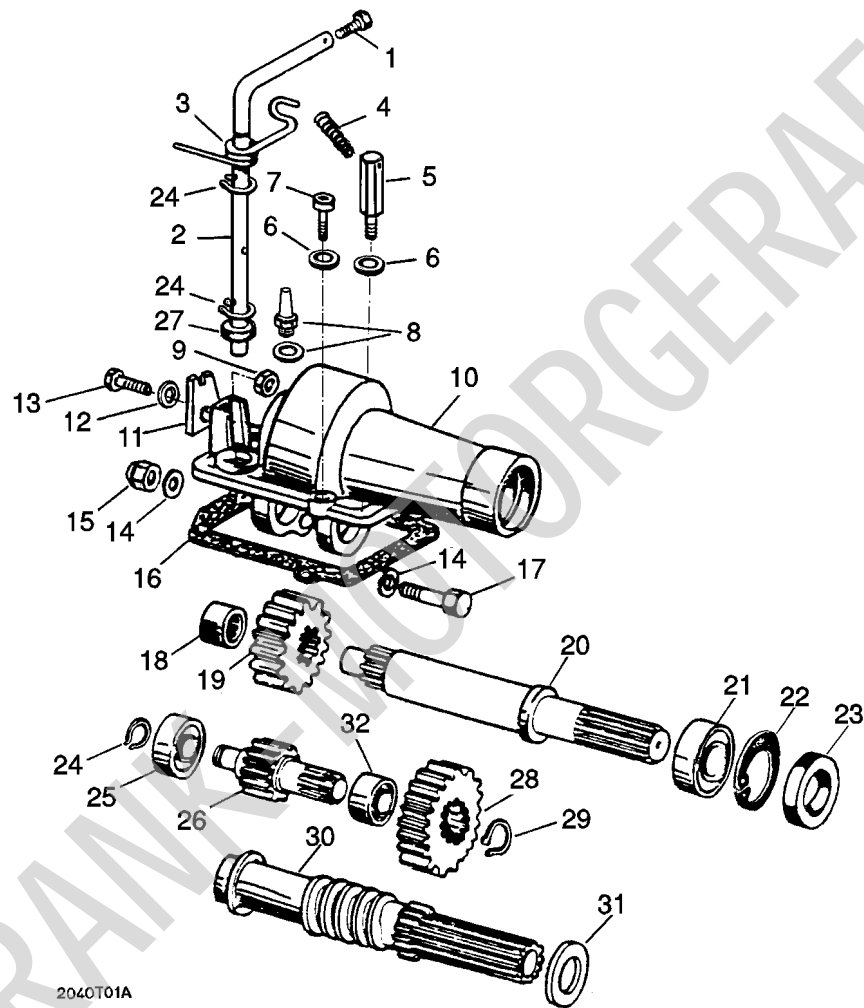
Tab. 7 – PROLUNGA FRESA - EXTENDER FOR TILLER - RALLONGE POUR FRAISE - VERLÄNGERUNG



Tab. 7 – PROLUNGA FRESA - EXTENDER FOR TILLER - RALLONGE POUR FRAISE - VERLÄNGERUNG

| REF. | Q. | COD. | DESCRIZIONE | DESCRIPTION | DESCRIPTION | BENENNUNG |
|------|----|----------|-----------------|--------------|-------------|----------------|
| 01 | 01 | 19955647 | ANELLO ELASTICO | LOCKRING | ARRETOIR | SICHERUNGSRING |
| 02 | 03 | 19955520 | ANELLO ELASTICO | LOCKRING | ARRETOIR | SICHERUNGSRING |
| 03 | 01 | 19900322 | CUSCINETTO | BEARING | ROULEMENT | LAGER |
| 04 | 01 | 15201079 | MANICOTTO | FITTING | MANCHON | MUFFE |
| 05 | 02 | 15004030 | PRIGIONIERO | STUD BOLT | GOUJON | STIFTSCHRAUBE |
| 06 | 02 | 19955013 | RONDELLA | PLAIN WASHER | RONDELLE | SCHEIBE |
| 07 | 02 | 19954212 | DADO | NUT | ECROU | MUTTER |
| 08 | 01 | 15204078 | ALBERO | SHAFT | ARBRE | WELLE |
| 09 | 01 | 15174028 | MANICOTTO | FITTING | MANCHON | MUFFE |
| 10 | 01 | 15056007 | COPERCHIO | COVER | COUVERCLE | DECKEL |

Tab. 8 – PRESA DI FORZA - POWER TAKE OFF - PRISE DE FORCE - ZAPFWELLE

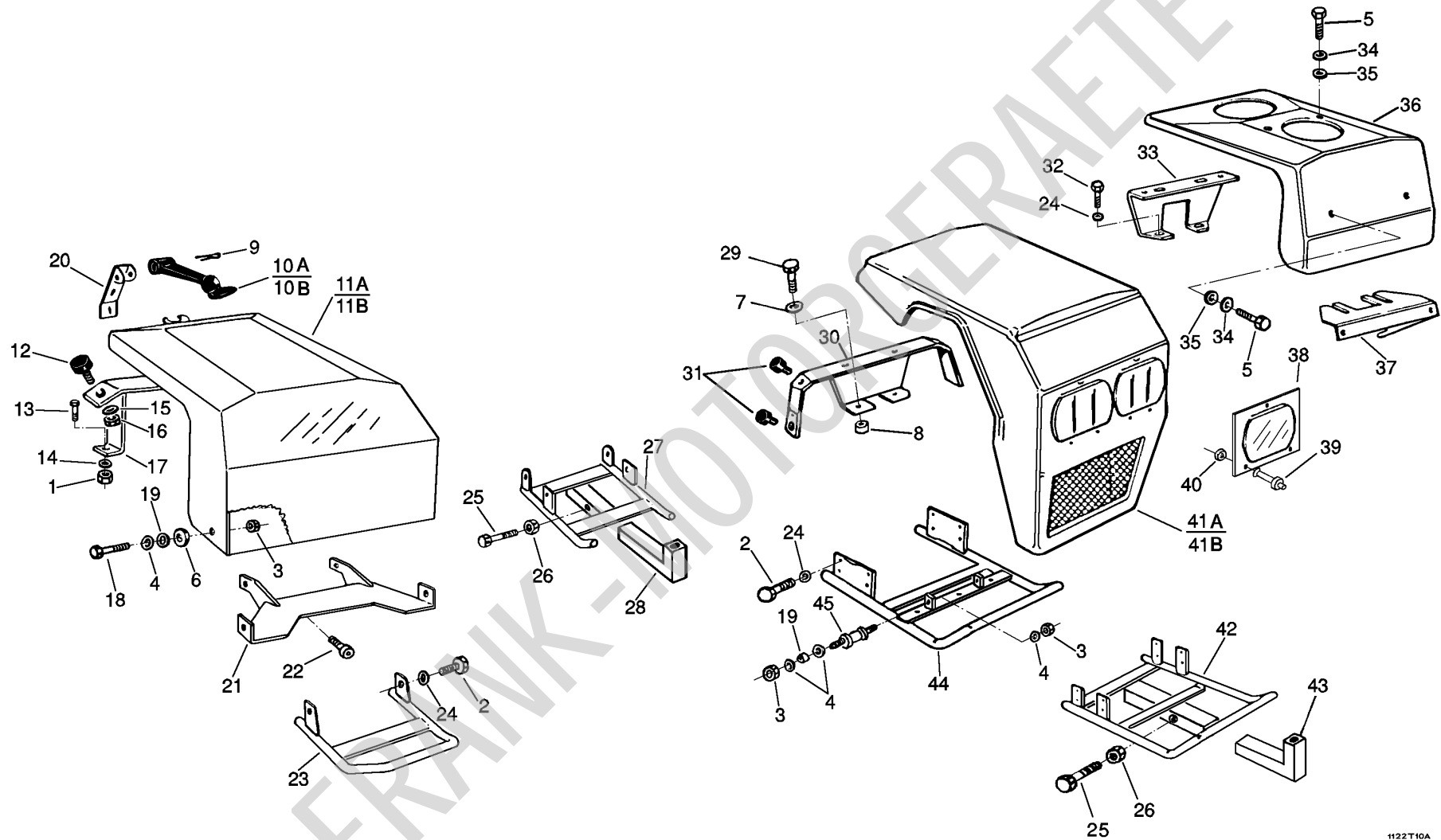


2040T01A

Tab. 8 – PRESA DI FORZA - POWER TAKE OFF - PRISE DE FORCE - ZAPFWELLE

| REF. | Q. | COD. | DESCRIZIONE | DESCRIPTION | DESCRIPTION | BENENNUNG |
|------|----|----------|------------------|---------------|--------------------|----------------|
| 01 | 01 | 19952709 | VITE | SCREW | VIS | SCHRAUBE |
| 02 | 01 | 15225101 | LEVA | LEVER | LEVIER | HEBEL |
| 03 | 01 | 15227056 | MOLLA | SPRING | RESSORT | FEDER |
| 04 | 01 | 15001012 | MOLLA | SPRING | RESSORT | FEDER |
| 05 | 01 | 15205035 | PROLUNGA | EXTENDER | RALLONGE | VERLÄNGERUNG |
| 06 | 04 | 19955308 | ROSETTA ELASTICA | SPRING WASHER | RONDELLE ELASTIQUE | FEDERSCHEIBE |
| 07 | 03 | 19952137 | VITE | SCREW | VIS | SCHRAUBE |
| 08 | 01 | 14660121 | TAPPO | PLUG | BOUCHON | STOPFEN |
| 09 | 01 | 19954253 | DADO | NUT | ECROU | MUTTER |
| 10 | 01 | 15201083 | CARTER | CASE | CARTER | GEHÄUSE |
| 11 | 01 | 15205036 | PIASTRINA | PLATE | PLAQUE | PLATTE |
| 12 | 01 | 19955008 | RONDELLA | WASHER | RONDELLE | SCHEIBE |
| 13 | 01 | 19952728 | VITE | SCREW | VIS | SCHRAUBE |
| 14 | 02 | 19955009 | RONDELLA | WASHER | RONDELLE | SCHEIBE |
| 15 | 01 | 19954254 | DADO | NUT | ECROU | MUTTER |
| 16 | 01 | 15206051 | GUARNIZIONE | GASKET | JOINT | DICHTUNG |
| 17 | 01 | 19952225 | VITE | SCREW | VIS | SCHRAUBE |
| 18 | 01 | 19910316 | CUSCINETTO | BEARING | ROULEMENT | LAGER |
| 19 | 01 | 15204087 | INGRANAGGIO | GEAR | PIGNON | ZAHNRAD |
| 20 | 01 | 15204084 | ALBERO | SHAFT | ARBRE | WELLE |
| 21 | 01 | 19900222 | CUSCINETTO | BEARING | ROULEMENT | LAGER |
| 22 | 01 | 19955642 | ANELLO ELASTICO | LOCKRING | ARRETOIR | SICHERUNGSRING |
| 23 | 01 | 19922121 | ANELLO DI TENUTA | SEAL | BAGUE D'ETANCHEITÉ | DICHTRING |
| 24 | 01 | 19955512 | ANELLO ELASTICO | LOCKRING | ARRETOIR | SICHERUNGSRING |
| 25 | 01 | 19900507 | CUSCINETTO | BEARING | ROULEMENT | LAGER |
| 26 | 01 | 15204086 | ALBERO | SHAFT | ARBRE | WELLE |
| 27 | 01 | 19922031 | ANELLO DI TENUTA | SEAL RING | BAGUE D'ETANCHEITÉ | DICHTRING |
| 28 | 01 | 15204085 | INGRANAGGIO | GEAR | PIGNON | ZAHNRAD |
| 29 | 01 | 19955520 | ANELLO ELASTICO | LOCKRING | ARRETOIR | SICHERUNGSRING |
| 30 | 01 | 15204011 | VITE SENZA FINE | WORM SCREW | VIS SANS FIN | ENDLOSSCHRAUBE |
| 31 | 01 | 15204053 | DISTANZIALE | SPACER | ENTRETOISE | DISTANZSTÜCK |
| 32 | 01 | 19910320 | CUSCINETTO | BEARING | ROULEMENT | LAGER |

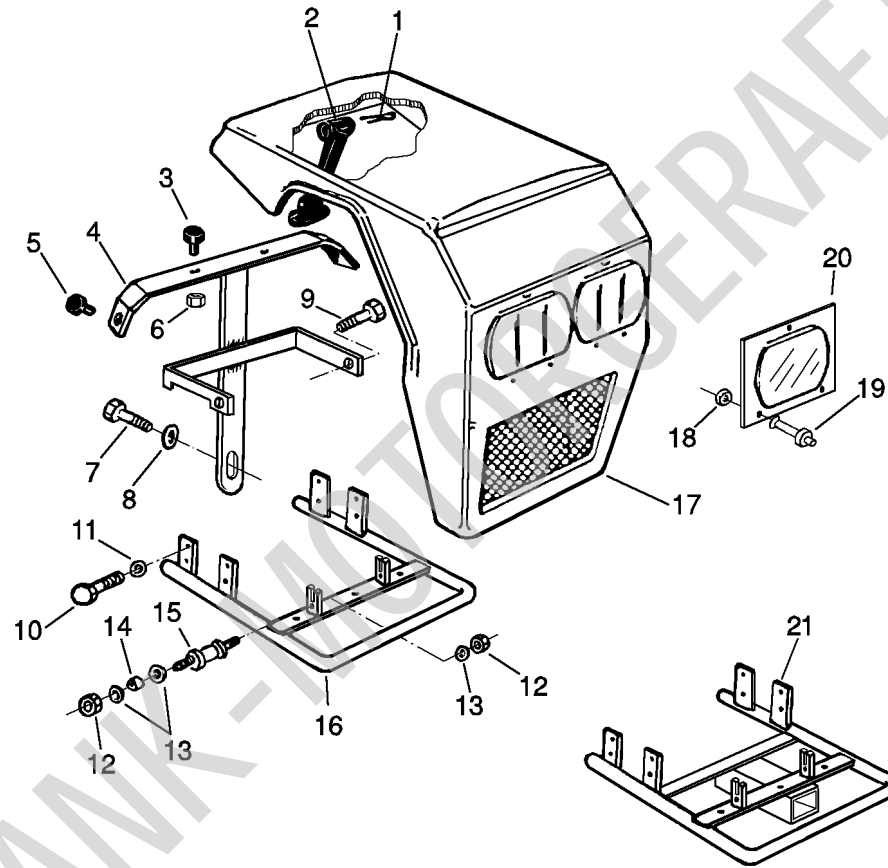
Tab. 9 – COFANI - FAIRINGS - CARENAGES - KAROSSERIEN



Tab. 9 – COFANI - FAIRINGS - CARENAGES - KAROSSERIEN

| REF. | Q. | COD. | DESCRIZIONE | DESCRIPTION | DESCRIPTION | BENENNUNG |
|------|----|----------|------------------------|-----------------------|---------------------------|-------------------------|
| 01 | 02 | 19954253 | DADO | NUT | ECROU | MUTTER |
| 02 | 10 | 19952721 | VITE | SCREW | VIS | SCHRAUBE |
| 03 | 02 | 19954254 | DADO | NUT | ECROU | MUTTER |
| 04 | 08 | 19955009 | RONDELLA | WASHER | RONDELLE | SCHEIBE |
| 05 | 04 | 19952720 | VITE | SCREW | VIS | SCHRAUBE |
| 06 | 02 | 14680101 | GOMMINO | RUBBER RING | CAOUTCHOUC | GUMMIRING |
| 07 | 02 | 19955052 | RONDELLA | WASHER | RONDELLE | SCHEIBE |
| 08 | 02 | 15055093 | RONDELLA | WASHER | RONDELLE | SCHEIBE |
| 09 | 01 | 19957120 | COPIGLIA | COTTER PIN | GOUPILLE FENDUE | SPLINT |
| 10a | 01 | 14681705 | TIRANTE L=120 mm | STAY-ROD L=120 mm | TIRANT L=120 mm | SPANNBOLZEN L=120 mm |
| 10b | 01 | 14681706 | TIRANTE L=160 mm | STAY-ROD L=160 mm | TIRANT L=160 mm | SPANNBOLZEN L=160 mm |
| 11a | 01 | 15205113 | COFANO IM 350 | BONNET IM 350 | COFFRE IM350 | MOTORHAUBE |
| 11b | 01 | 15205112 | COFANO IM 350 CON FARI | BONNET IM 350 W/LIGHT | COFFRE IM350 AVEC ECLAIRE | MOTORHAUBE (LICHT) |
| 12 | 02 | 14680601 | GOMMINO PARACOLPI | BUFFER | BOUTOIR | PUFFER |
| 13 | 02 | 19952113 | VITE | SCREW | VIS | SCHRAUBE |
| 14 | 02 | 19955051 | RONDELLA | WASHER | RONDELLE | SCHEIBE |
| 15 | 02 | 19955272 | ROSETTA ELASTICA | SPRING WASHER | RONDELLE ELASTIQUE | FEDERSCHEIBE |
| 16 | 02 | 19954003 | DADO | NUT | ECROU | MUTTER |
| 17 | 01 | 15205091 | SUPPORTO | SUPPORT | SUPPORT | HALTERUNG |
| 18 | 02 | 19952729 | VITE | SCREW | VIS | SCHRAUBE |
| 19 | 04 | 15205043 | DISTANZIALE | SPACER | ENTRETOISE | DISTANZSTÜCK |
| 20 | 01 | 15008017 | ATTACCO TIRANTE | CLASP | GRIFFE | HAKEN |
| 21 | 01 | 15205090 | SUPPORTO | SUPPORT | SUPPORT | HALTERUNG |
| 22 | 02 | 19952127 | VITE | SCREW | VIS | SCHRAUBE |
| 23 | 01 | 15175144 | PARAURTI | BUMPER | PARE-CHOCS | STOSSTANGE |
| 24 | 14 | 19955273 | ROSETTA ELASTICA | SPRING WASHER | RONDELLE ELASTIQUE | FEDERSCHEIBE |
| 25 | 01 | 19952731 | VITE | SCREW | VIS | SCHRAUBE |
| 26 | 01 | 19954047 | DADO | NUT | ECROU | MUTTER |
| 27 | 01 | 15007024 | PARAURTI | BUMPER | PARE-CHOCS | STOSSTANGE |
| 28 | 01 | 15007018 | ATTACCO ZAVORRA | BALLAST CLASP | ATTELAGE LEST | BALLAST HAKEN |
| 29 | 02 | 19952737 | VITE (avv. el.) | SCREW (el. starting) | VIS (all. elec.) | SCHEIBE (el. anlasser) |
| 30 | 01 | 15008015 | SUPPORTO | SUPPORT | SUPPORT | HALTERUNG |
| 31 | 04 | 14680602 | GOMMINO PARACOLPI | BUFFER | BOUTOIR | PUFFER |
| 32 | 02 | 19952123 | VITE | SCREW | VIS | SCHRAUBE |
| 33 | 01 | 15008026 | SUPPORTO | SUPPORT | SUPPORT | HALTERUNG |
| 34 | 04 | 19955008 | RONDELLA | WASHER | RONDELLE | SCHEIBE |
| 35 | 04 | 19956177 | RONDELLA | WASHER | RONDELLE | SCHEIBE |
| 36 | 01 | 15009014 | COFANO | BONNET | COFFRE | MOTORHAUBE |
| 37 | 01 | 15008025 | SUPPORTO | SUPPORT | SUPPORT | HALTERUNG |
| 38 | 02 | 15007205 | COPRIFARO | COVER | COUVERCLE | DECKEL |
| 39 | 06 | 19957210 | RIVETTO | RIVET | RIVET | NIET |
| 40 | 06 | 19955050 | RONDELLA | WASHER | RONDELLE | SCHEIBE |
| 41a | 01 | 15009009 | COFANO (avv. el.) | BONNET (el. starting) | COFFRE (all. elec.) | MOTORHAUBE (el. anlas.) |
| 41b | 01 | 15009008 | COFANO | BONNET | COFFRE | MOTORHAUBE |
| 42 | 01 | 15007017 | PARAURTI | BUMPER | PARE-CHOCS | STOSSTANGE |
| 43 | 01 | 15007028 | ATTACCO ZAVORRA | BALLAST CLASP | ATTELAGE LEST | BALLAST HAKEN |
| 44 | 01 | 15007004 | PARAURTI | BUMPER | PARE-CHOCS | STOSSTANGE |
| 45 | 02 | 14680409 | SILENTBLOCK | SILENTBLOCK | SILENTBLOCK | SILENTBLOCK |

Tab. 9a – COFANO (INTERMOTOR) - MOTOR HOOD - COFFRE - MOTORHAUBE

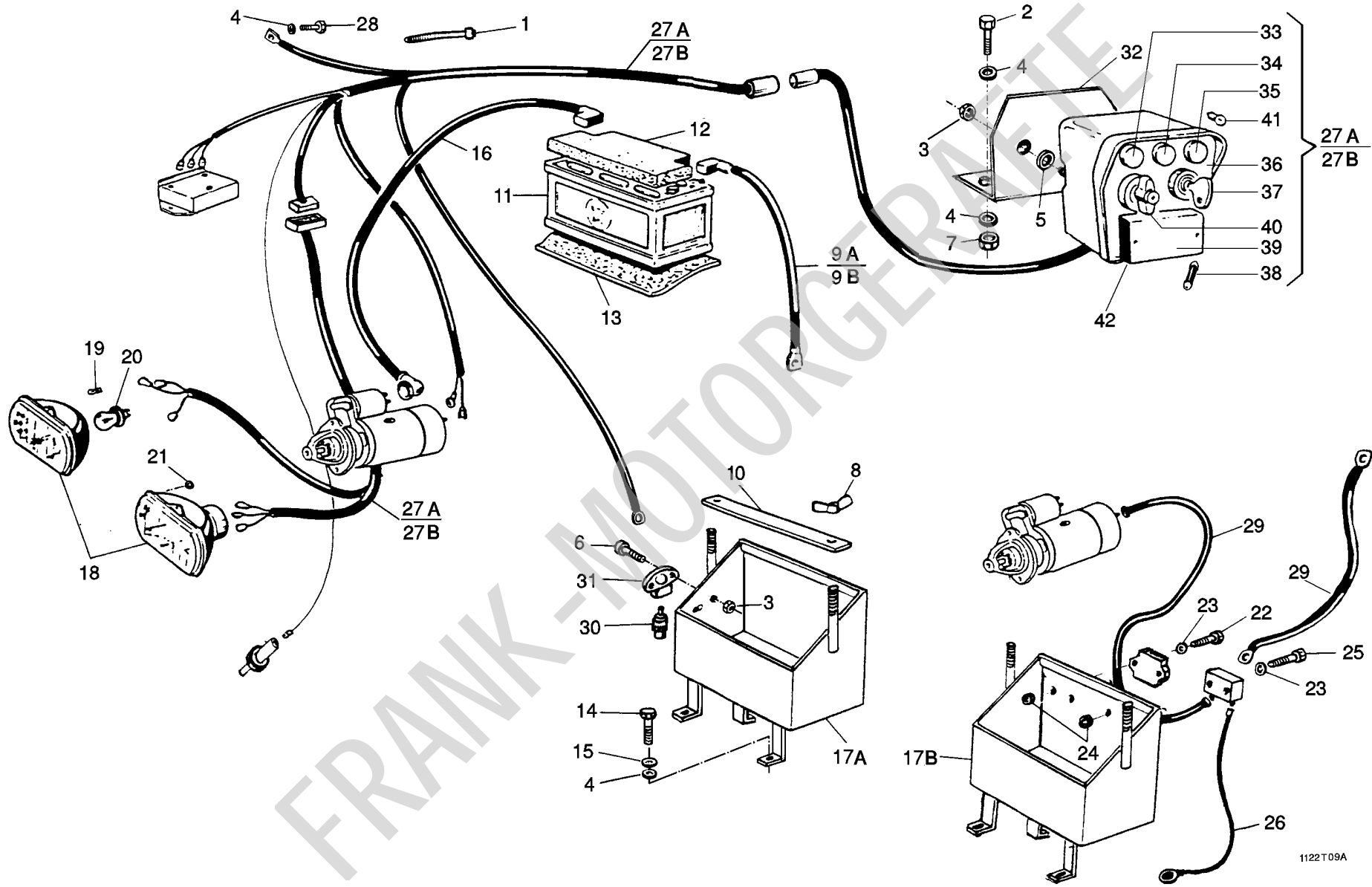


1122T10B

Tab. 9a – COFANO (INTERMOTOR) - MOTOR HOOD - COFFRE - MOTORHAUBE

| REF. | Q. | COD. | DESCRIZIONE | DESCRIPTION | DESCRIPTION | BENENNUNG |
|------|----|----------|----------------------|--------------------|----------------------|------------------------|
| 01 | 01 | 19957120 | COPIGLIA | COTTER PIN | GOUPILLE FENDUE | SPLINT |
| 02 | 01 | 14681706 | TIRANTE | STAY-ROD | TIRANT | SPANNBOLZEN |
| 03 | 02 | 14680601 | GOMMINO PARACOLPI | BUFFER | BOUTOIR | PUFFER |
| 04 | 01 | 15008008 | SUPPORTO COFANO | SUPPORT | SUPPORT | HALTERUNG |
| 05 | 02 | 14680602 | GOMMINO PARACOLPI | BUFFER | BOUTOIR | PUFFER |
| 06 | 02 | 19954003 | DADO | NUT | ECROU | MUTTER |
| 07 | 01 | 19952133 | VITE | SCREW | VIS | SCHRAUBE |
| 08 | 01 | 19955308 | RONDELLA | WASHER | RONDELLE | SCHEIBE |
| 09 | 02 | 19952720 | VITE | SCREW | VIS | SCHRAUBE |
| 10 | 04 | 19952721 | VITE | SCREW | VIS | SCHRAUBE |
| 11 | 04 | 19955273 | ROSETTA ELASTICA | SPRING WASHER | RONDELLE ELASTIQUE | FEDERSCHEIBE |
| 12 | 04 | 19954254 | DADO | NUT | ECROU | MUTTER |
| 13 | 06 | 19955009 | RONDELLA | WASHER | RONDELLE | SCHEIBE |
| 14 | 02 | 15205043 | DISTANZIALE | SPACER | ENTRETOISE | DISTANZSTÜCK |
| 15 | 02 | 14680409 | SILENTBLOCK | SILENTBLOCK | SILENTBLOCK | SILENTBLOCK |
| 16 | 01 | 15007014 | PARAURTI IM 350 | BUMPER IM 350 | PARE-CHOCS IM 350 | STOSSTANGE IM 350 |
| 17 | 01 | 15009019 | COFANO IM 350 | MOTOR HOOD IM 350 | COFFRE IM350 | MOTORHAUBE IM 350 |
| 18 | 06 | 19955050 | RONDELLA | WASHER | RONDELLE | SCHEIBE |
| 19 | 06 | 19957210 | RIVETTO | RIVET | RIVET | NIET |
| 20 | 02 | 15007205 | COPRIFARO | COVER | COUVERCLE | DECKEL |
| 21 | 01 | 15007044 | PARAURTI PER ZAVORRA | BUMPER FOR BALLAST | PARE-CHOCS POUR LEST | STOSSTANGE FÜR BALLAST |

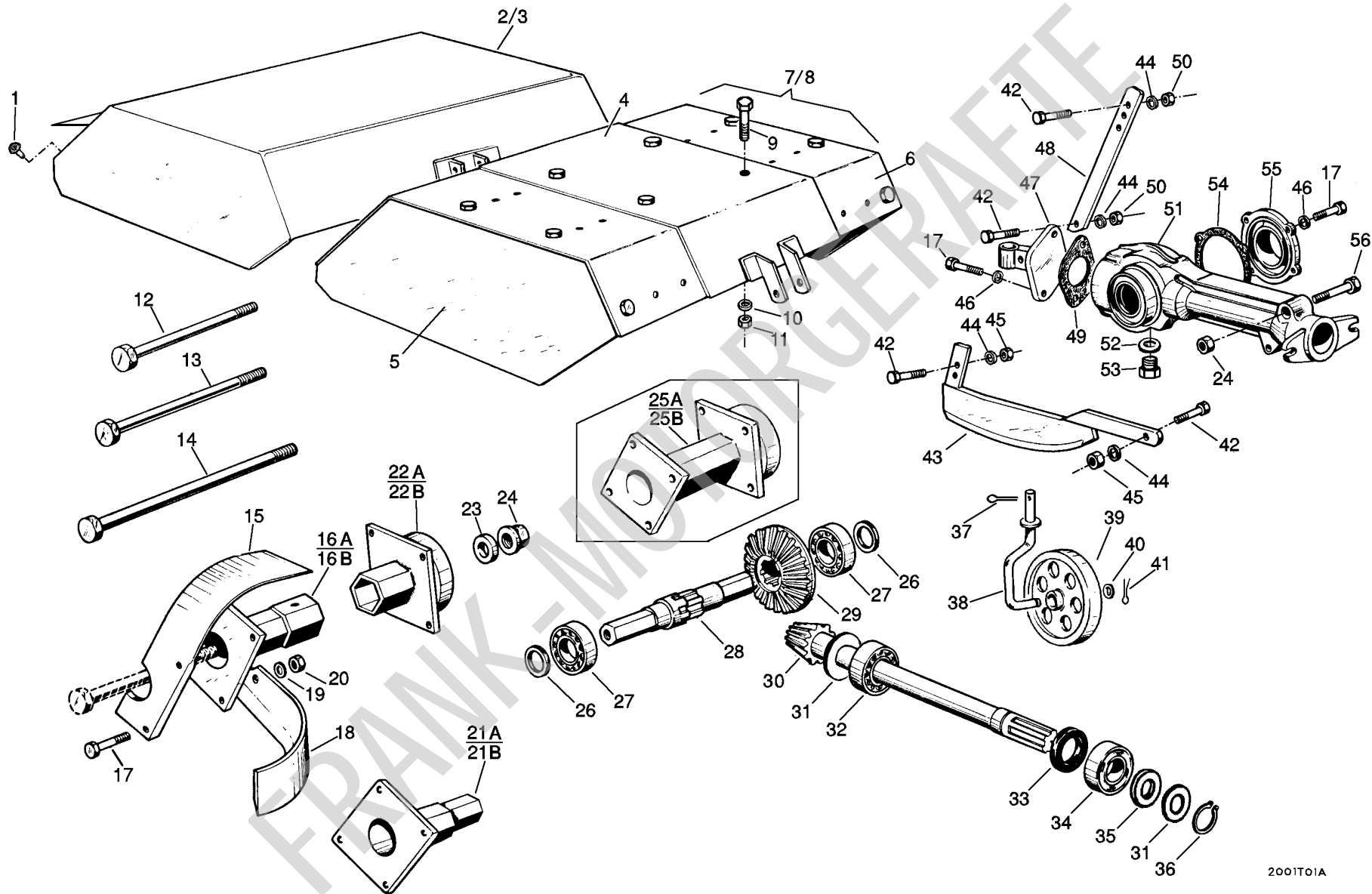
Tab. 10 - IMPIANTO ELETTRICO - ELECTRICAL SYSTEM - INSTALLATION ELECTRIQUE - ELEKTRISCHE ANLAGE



Tab. 10 - IMPIANTO ELETTRICO - ELECTRICAL SYSTEM - INSTALLATION ELECTRIQUE - ELEKTRISCHE ANLAGE

| REF. | Q. | COD. | DESCRIZIONE | DESCRIPTION | DESCRIPTION | BENENNUNG |
|------|----|----------|----------------------------|------------------------------|------------------------------|--------------------------|
| 01 | 05 | 14680801 | FASCETTA | STRAP | COLLIER | HALTERBAND |
| 02 | 02 | 19952603 | VITE | SCREW | VIS | SCHRAUBE |
| 03 | 04 | 19954205 | DADO | NUT | ECROU | MUTTER |
| 04 | 06 | 19955052 | RONDELLA | WASHER | RONDELLE | SCHEIBE |
| 05 | 02 | 14680103 | GOMMINO | RUBBER RING | CAOUTCHOUC | GUMMIRING |
| 06 | 02 | 19952314 | VITE | SCREW | VIS | SCHRAUBE |
| 07 | 02 | 19954254 | DADO | NUT | ECROU | MUTTER |
| 08 | 02 | 19954503 | DADO AD ALETTE | NUT, WING | ECROU PAPILLON | FLÜGELMUTTER |
| 09a | 01 | 14670808 | CAVO NEG. Ø10 mm (Diesel) | CABLE, NEGATIVE (Diesel) | CABLE NEGATIVE (Diesel) | NEGATIVKABEL (Diesel) |
| 09b | 01 | 14670815 | CAVO NEG. Ø7 mm (Benzina) | CABLE, NEGATIVE (Gasoline) | CABLE NEGATIVE (Essence) | NEGATIVKABEL (Benzin) |
| 10 | 01 | 15005026 | ASTA | ROD | TIGE | STANGE |
| 11 | 01 | 14670701 | BATTERIA | BATTERY | BATTERIE | BATTERIE |
| 12 | 01 | 15405158 | COPRIBATTERIA | BATTERY COVER | CAPOT | BATTERIEHAUBE |
| 13 | 01 | 14680502 | PROTEZIONE IN GOMMA | RUBBER GUARD | PROTECTION EN CAOUTCH. | GUMMIMATTE |
| 14 | 02 | 19952756 | VITE | SCREW | VIS | SCHRAUBE |
| 15 | 02 | 19955273 | ROSETTA ELASTICA | SPRING WASHER | RONDELLE ELASTIQUE | FEDERSCHEIBE |
| 16 | 01 | 14670807 | CAVO POS. Ø10 mm (Diesel) | CABLE POSITIVE (Diesel) | CABLE POSITIVE (Diesel) | KABEL FÜR (Diesel) |
| 17a | 01 | 15005019 | PORTABATTERIA (Diesel) | BATTERY HOLDER (Diesel) | PORTE BATTERIE (Diesel) | BATTERIESTÄNDER (Diesel) |
| 17b | 01 | 15005020 | PORTABATTERIA (Benzina) | BATTERY HOLDER (Gasoline) | PORTE BATTERIE (Essence) | BATTERIESTÄNDER (Benzin) |
| 18 | 02 | 14670501 | FARO S / LAMPADE | HEADLAMP | PHARE | SCHEINWERFER |
| 19 | 02 | 14670404 | LAMPADA 12V 3W | BULB 12V 3W | LAMPE 12V 3W | LAMPE 12V 3W |
| 20 | 02 | 14670401 | LAMPADA 12V 45W | BULB 12V 45W | LAMPE 12V 45W | LAMPE 12V 45W |
| 21 | 06 | 19955050 | RONDELLA | PLAIN WASHER | RONDELLE | SCHEIBE |
| 22 | 02 | 19952319 | VITE (Benzina) | SCREW (Gasoline) | VIS (Essence) | SCHRAUBE (Benzin) |
| 23 | 04 | 19955051 | RONDELLA (Benzina) | PLAIN WASHER (Gasoline) | RONDELLE (Essence) | SCHEIBE (Benzin) |
| 24 | 04 | 19954253 | DADO (Benzina) | NUT (Gasoline) | ECROU (Essence) | MUTTER (Benzin) |
| 25 | 02 | 19952315 | VITE (Benzina) | SCREW (Gasoline) | VIS (Essence) | SCHRAUBE (Benzin) |
| 26 | 01 | 14670813 | CAVO RELÈ (Benzina) | CABLE, RELAY (Gasoline) | CABLE RELAIS (Essence) | RELAISKABEL (Benzin) |
| 27a | 01 | 14670607 | CRUSCOTTO E CAVI (Diesel) | DASHBOARD W/CABLE, (Diesel) | TABLEAU ET CÂBLAGE (Diesel) | ARMATURENBRETT (Diesel) |
| 27b | 01 | 14670811 | CRUSCOTTO E CAVI (Benzina) | DASHBOARD W/CABLE (Gasoline) | TABLEAU ET CÂBLAGE (Essence) | ARMATURENBRETT (Benzin) |
| 28 | 01 | 19952715 | VITE | SCREW | VIS | SCHRAUBE |
| 29 | 02 | 14670814 | CAVO POS. Ø 8 mm (Benzina) | CABLE POSITIVE (Gasoline) | CABLE POSITIVE (Essence) | KABEL (Benzin) |
| 30 | 01 | 14670621 | SPINA | PLUG | FICHE | STÖPSEL |
| 31 | 01 | 14670620 | PRESA LUCI RIMORCHIO | OUTLET | PRISE | STECKDOSE |
| 32 | 01 | 15008016 | SQUADRETTA | BRACKET | EQUERRE | WINKEL |
| 33 | 01 | 14670407 | SPIA (batteria) | GLASS (battery) | TEMOIN (batterie) | ANZEIGER (batterie) |
| 34 | 01 | 14670408 | SPIA (luci) | GLASS (light) | TEMOIN (feux) | ANZEIGER (licht) |
| 35 | 01 | 14670409 | SPIA (olio) | GLASS (oil) | TEMOIN (huile) | ANZEIGER (öl) |
| 36 | 01 | 14670613 | SCATOLA | CASE | BOITE | GEHÄUSE |
| 37 | 01 | 14670610 | QUADRETTO AVVIAMENTO | IGNITION KEY | CLÉ DE CONTACT | ZÜNDSCHLÜSSEL |
| 38 | 01 | 14670406 | FUSIBILE | FUSE | FUSIBLE | SICHERUNS |
| 39 | 01 | 14670604 | COPERCHIO | COVER | COUVERCLE | DECKEL |
| 40 | 01 | 14670603 | COMMUTATORE LUCI | SWITCH, LIGHT | COMMUTATEUR DES FEUX | LICHTSCHALTER |
| 41 | 03 | 14670405 | LAMPADA | BULB | LAMPE | LAMPE |
| 42 | 01 | 14670609 | SCATOLA PORTAFUSIBILI | FUSE HOLDER | BOITE A FUSIBLES | SICHERUNGSDOSE |

Tab. 11 - GRUPPO FRESA - TILLER - FRAISE - FRÄSE



Tab. 11 – GRUPPO FRESA - TILLER - FRAISE - FRÄSE

| REF. | Q. | COD. | DESCRIZIONE | DESCRIPTION | DESCRIPTION | BENENNUNG |
|------|----|----------|--------------------------------------|------------------------------------|---|----------------------------------|
| 01 | 02 | 14680600 | PARACOLPI GOMMA | BUFFER | BOUTOIR | PUFFER |
| 02 | 01 | 15305035 | COFANO 50 cm | COWL 50 cm | COFFRE 50 cm | HAUBE 50 cm |
| 03 | 01 | 15305036 | COFANO 60 cm | COWL 60 cm | COFFRE 60 cm | HAUBE 60 cm |
| 04 | 01 | 15205080 | COFANO PARTE CENTRALE | COVER, TOP | COFFRE MOYEN | MITTELHAUBE |
| 05 | 01 | 15205078 | PANNELLO LATERALE DX | SIDE PANEL (R.H.) | PANNEAU LATERAL DROITE | SEITENTAFEL RECHTS |
| 06 | 01 | 15205079 | PANNELLO LATERALE SX | SIDE PANEL (L.H.) | PANNEAU LATERAL GAUCHE | SEITENTAFEL LINKS |
| 07 | 01 | 15205072 | COFANO REGOLABILE 70 cm | COWL, ADJUSTABLE 70 cm | COFFRE REGLABLE 70 cm | HAUBE (70 cm EINSTELL.) |
| 08 | 01 | 15205071 | COFANO REGOLABILE 60 cm | COWL, ADJUSTABLE 60 cm | COFFRE REGLABLE 60 cm | HAUBE (60 cm EINSTELL.) |
| 09 | 12 | 19952716 | VITE | SCREW | VIS | SCHRAUBE |
| 10 | 12 | 19955274 | ROSETTA ELASTICA | SPRING WASHER | RONDELLE ELASTIQUE | FEDERSCHEIBE |
| 11 | 12 | 19954046 | DADO | NUT | ECROU | MUTTER |
| 12 | 01 | 15175126 | TIRANTE (FRESA cm 27) | TIE-ROD (TILLER 27 cm) | TIRANT (FRAISE 27 cm) | SPANNBOLZEN |
| 13 | 01 | 15175125 | TIRANTE (FRESA 50-60 cm) | TIE-ROD (TILLER 50-60 cm) | TIRANT (FRAISE 50-60 cm) | SPANNBOLZEN |
| 14 | 01 | 15195069 | TIRANTE (FRESA cm 70) | TIE-ROD (TILLER 70 cm) | TIRANT (FRAISE 70 cm) | SPANNBOLZEN |
| 15 | 08 | 15175133 | LAMA SX (FRESA 50-60 cm) | BLADE L. (TILLER 50-60 cm) | LAME G. (FRAISE 50-60 cm) | MESSER LENKS |
| 15 | 10 | 15175133 | LAMA SX (FRESA cm 70) | BLADE L. (TILLER 70 cm) | LAME G. (FRAISE 70 cm) | MESSER LENKS |
| 16a | 02 | 15175123 | SUPPORTO SENZA LAME CENT. | SUPPORT W/OUT BLADES CENT. | SUPPORT SANS LAMES CENT. | MITTEL HALTERUNG OHNE MESS |
| 16b | 02 | 15175124 | SUPPORTO CON LAME | SUPPORT WITH BLADES | SUPPORT AVEC LAMES | HALTERUNG MIT MESSER. |
| 17 | 22 | 19952721 | VITE (FRESA 50-60 cm) | SCREW (TILLER 50-60 cm) | VIS (FRAISE 50-60 cm) | SCHRAUBE (FRÄSE 50 cm) |
| 17 | 30 | 19952721 | VITE (FRESA cm 70) | SCREW (TILLER 70 cm) | VIS (FRAISE 70 cm) | SCHRAUBE (FRÄSE 70 cm) |
| 18 | 08 | 15175120 | LAMA DX (FRESA 50-60 cm) | BLADE, R. (TILLER 50-60 cm) | LAME D. (FRAISE 50-60 cm) | MESSER R. (FRÄSE 50 cm) |
| 18 | 10 | 15175120 | LAMA DX (FRESA cm 70) | BLADE, R. (TILLER 70 cm) | LAME D. (FRAISE 70 cm) | MESSER R. (FRÄSE 70 cm) |
| 19 | 16 | 19955273 | ROSETTA ELASTICA (FRESA 50-60 cm) | SPRING WASHER (TILLER 50-60 cm) | RONDELLE ELASTIQUE (FRAISE 50-60 cm) | FEDERSCHEIBE (FRÄSE 50-60 cm) |
| 19 | 24 | 19955273 | ROSETTA ELASTICA (FRESA cm 70) | SPRING WASHER (TILLER 70 cm) | RONDELLE ELASTIQUE (FRAISE 70 cm) | FEDERSCHEIBE (FRÄSE 70 cm) |
| 20 | 16 | 19954045 | DADO (FRESA 50-60 cm) | NUT (TILLER 50-60 cm) | ECROU (FRAISE 50-60 cm) | MUTTER (FRÄSE 50-60 cm) |
| 20 | 24 | 19954045 | DADO (FRESA cm 70) | NUT (TILLER 70 cm) | ECROU (FRAISE 70 cm) | MUTTER (FRÄSE 70 cm) |
| 21a | 02 | 15175131 | SUPPORTO SENZA LAME LAT. | SUPPORT W/OUT BLADES LAT. | SUPPORT SANS LAMES LAT. | SEITEN HALTERUNG OHNE MESS |
| 21b | 02 | 15175132 | SUPPORTO CON LAME | SUPPORT WITH BLADES | SUPPORT AVEC LAMES | HALTERUNG MIT MESS. |
| 22a | 02 | 15175121 | SUPPORTO SENZA LAME | SUPPORT W/OUT BLADES | SUPPORT SANS LAMES | HALTERUNG OHNE MESS. |
| 22b | 02 | 15175122 | SUPPORTO CON LAME | SUPPORT WITH BLADES | SUPPORT AVEC LAMES | HALTERUNG MIT MESS. |
| 23 | 01 | 15175127 | RONDELLA | WASHER | RONDELLE | SCHEIBE |
| 24 | 02 | 19954256 | DADO | NUT | ECROU | MUTTER |
| 25a | 02 | 15195080 | SUPPORTO SENZA LAME | SUPPORT W/OUT BLADES | SUPPORT SANS LAMES | HALTERUNG OHNE MESS. |
| 25b | 02 | 15195081 | SUPPORTO CON LAME | SUPPORT WITH BLADES | SUPPORT AVEC LAMES | HALTERUNG MIT MESSER. |
| 26 | 02 | 19921038 | ANELLO DI TENUTA | SEAL RING | BAGUE D'ETANCHEITÉ | DICHTRING |
| 27 | 02 | 19900231 | CUSCINETTO | BEARING | ROULEMENT | LAGER |
| 28 | 01 | 15174035 | ALBERO | SHAFT | ARBRE | WELLE |
| 29 | 01 | 15174034 | CORONA DENTATA | RING GEAR | COURONNE DENTEE | ZAHNKRANZ |
| 30 | 01 | 15174033 | PIGNONE | PINION | PIGNON | RITZEL |
| 31 | 02 | 19956029 | SPESSORE | THICKNESS | CALE D'EPAISSEUR | DISTANZSCHEIBE |
| 32 | 01 | 19901004 | CUSCINETTO | BEARING | ROULEMENT | LAGER |
| 33 | 01 | 19922119 | ANELLO DI TENUTA | SEAL RING | BAGUE D'ETANCHEITÉ | DICHTRING |
| 34 | 01 | 19900322 | CUSCINETTO | BEARING | ROULEMENT | LAGER |
| 35 | 02 | 19956028 | SPESSORE | THICKNESS | CALE D'EPAISSEUR | DISTANZSCHEIBE |
| 36 | 01 | 19955520 | ANELLO ELASTICO | LOCKRING | ARRETOIR | SICHERUNGSRING |

Tab. 11 – GRUPPO FRESA - TILLER - FRAISE - FRÄSE

| REF. | Q. | COD. | DESCRIZIONE | DESCRIPTION | DESCRIPTION | BENENNUNG |
|------|----|----------|------------------|----------------|--------------------|--------------|
| 37 | 01 | 15001082 | COPIGLIA | COTTER PIN | GOUPILLE FENDUE | SPLINT |
| 38 | 01 | 15175165 | SUPPORTO RUOTA | SUPPORT, WHEEL | SUPPORT ROUE | RADHALTERUNG |
| 39 | 01 | 15201059 | RUOTA | WHEEL | ROUE | RAD |
| 40 | 01 | 19955056 | RONDELLA | WASHER | RONDELLE | SCHEIBE |
| 41 | 01 | 19957116 | COPIGLIA | COTTER PIN | GOUPILLE FENDUE | SPLINT |
| 42 | 04 | 19952737 | VITE | SCREW | VIS | SCHRAUBE |
| 43 | 01 | 15205069 | COLTRO | COULTER | COUTRE | PFLUGMESSER |
| 44 | 04 | 19955052 | RONDELLA | WASHER | RONDELLE | SCHEIBE |
| 45 | 02 | 19954208 | DADO | NUT | ECROU | MUTTER |
| 46 | 16 | 19955408 | ROSETTA ELASTICA | SPRING WASHER | RONDELLE ELASTIQUE | FEDERSCHEIBE |
| 47 | 01 | 15201006 | SUPPORTO RUOTA | SUPPORT, WHEEL | SUPPORT ROUE | RADHALTERUNG |
| 48 | 01 | 15175129 | ASTA | ROD | TIGE | STANGE |
| 49 | 01 | 15206068 | GUARNIZIONE | GASKET | JOINT | DICHTUNG |
| 50 | 02 | 19954254 | DADO | NUT | ECROU | MUTTER |
| 51 | 01 | 15201005 | GAMBO | TIGE | TIGE | SCHAFT |
| 52 | 01 | 19956110 | GUARNIZIONE | GASKET | JOINT | DICHTUNG |
| 53 | 01 | 15005013 | TAPPO | PLUG | BOUCHON | STOPFEN |
| 54 | 01 | 15056009 | GUARNIZIONE | GASKET | JOINT | DICHTUNG |
| 55 | 01 | 15201007 | COPERCHIO | COVER | COUVERCLE | DECKEL |
| 56 | 01 | 19952683 | VITE | SCREW | VIS | SCHRAUBE |